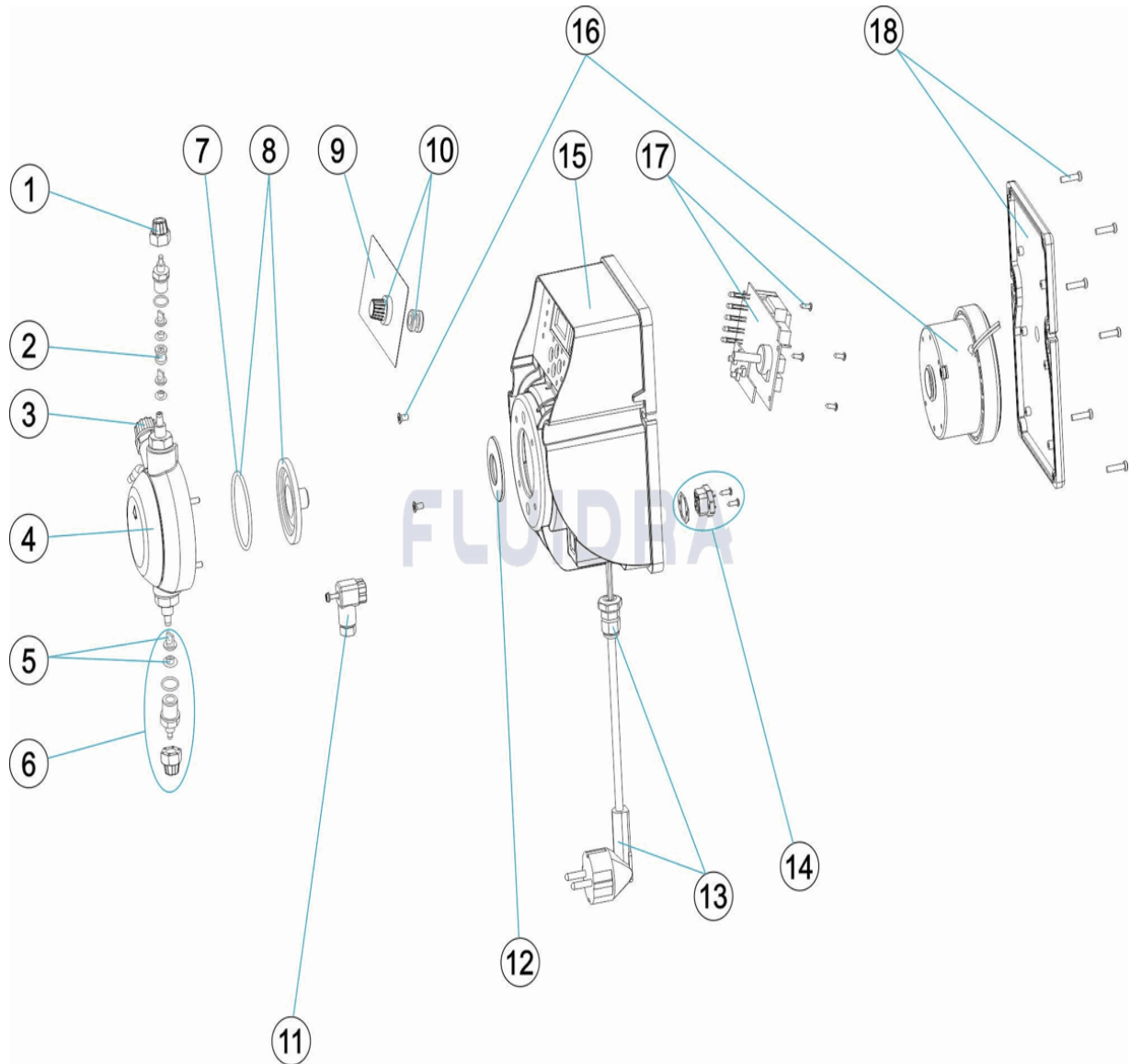


CODIGO **65983, 65984, 65985, 65986**

 DESCRIPCION: **BOMBA DOSIFICADORA CLASS ON-OFF**

**ESPAÑOL**

| POS | CODIGO       | DESCRIPCION                  | CANTIDAD | POS | CODIGO       | DESCRIPCION                         | CANTIDAD |
|-----|--------------|------------------------------|----------|-----|--------------|-------------------------------------|----------|
| 1   | CE08030126   | TUERCA SUJECCION TUBO        |          | 10  | CE08031806   | ARANDELA Y MANDO POTENCIOMETRO      |          |
| 2   | CE08033111   | DISTANCIADOR PURGA AIRE      |          | 11  | CE08031729   | CONECTOR DE NIVEL                   |          |
| 3   | CE08032308   | TAPON PURGA CABEZAL CP STD   |          | 12  | * CE08030531 | ARANDELA PISTON 5L 7KG              |          |
| 4   | CE08033102   | CABEZAL COMPLETO 5-10 L.     |          | 12  | * CE08031121 | ARANDELA PISTON 10L 5KG             |          |
| 5   | CE08030116   | VALVULA VITON + SOPORTE      |          | 12  | * CE08031122 | ARANDELA PISTON 20L 5KG             |          |
| 5   | CE08030117   | VALVULA SILICONA + SOPORTE   |          | 13  | CE08033110   | CABLE ALIMENTACION                  |          |
| 5   | CE08030115   | VALVULA DUTRAL + SOPORTE     |          | 14  | CE08031405   | CONECTOR MACHO                      |          |
| 6   | CE08030113   | CUERPO RACORD + VITON        |          | 15  | CE08030064   | CAJA BOMBA CLASS                    |          |
| 6   | CE08030114   | CUERPO RACORD + SILICONA     |          | 16  | * CE08030921 | ELECTROIMAN 2 L. 5KG                |          |
| 6   | CE08030112   | CUERPO RACORD + DUTRAL       |          | 16  | * CE08030118 | ELECTROIMAN COMPLETO 5L 7KG         |          |
| 7   | * CE08030111 | JUNTA TORICA CABEZAL         |          | 16  | * CE08030517 | ELECTROIMAN 10L 5KG                 |          |
| 7   | * CE08030413 | JUNTA TORICA CABEZAL 20L 5KG |          | 16  | * CE08030065 | ELECTROIMAN 20L 3KG                 |          |
| 8   | * CE08030119 | MEMBRANA COMPLETA            |          | 17  | * CE08030035 | CIRCUITO ELECTRONICO MA/ADL + NIVEL |          |



# DESPIECE

REV.: 1

1136

FECHA: 22/10/2019

HOJA: 2/3

CODIGO **65983, 65984, 65985, 65986**

DESCRIPCION: **BOMBA DOSIFICADORA CLASS ON-OFF**

|   |              |                           |    |              |                                     |
|---|--------------|---------------------------|----|--------------|-------------------------------------|
| 8 | * CE08030429 | MEMBRANA COMPLETA 20L 5KG | 17 | * CE08030036 | CIRCUITO ELECTRONICO MA/ADL + NIVEL |
| 9 | CE08030059   | CARATULA COMANDO          | 18 | CE08030067   | TAPA TRASERA BOMBA                  |



# DESPIECE

REV.: 1

1136

FECHA: 22/10/2019

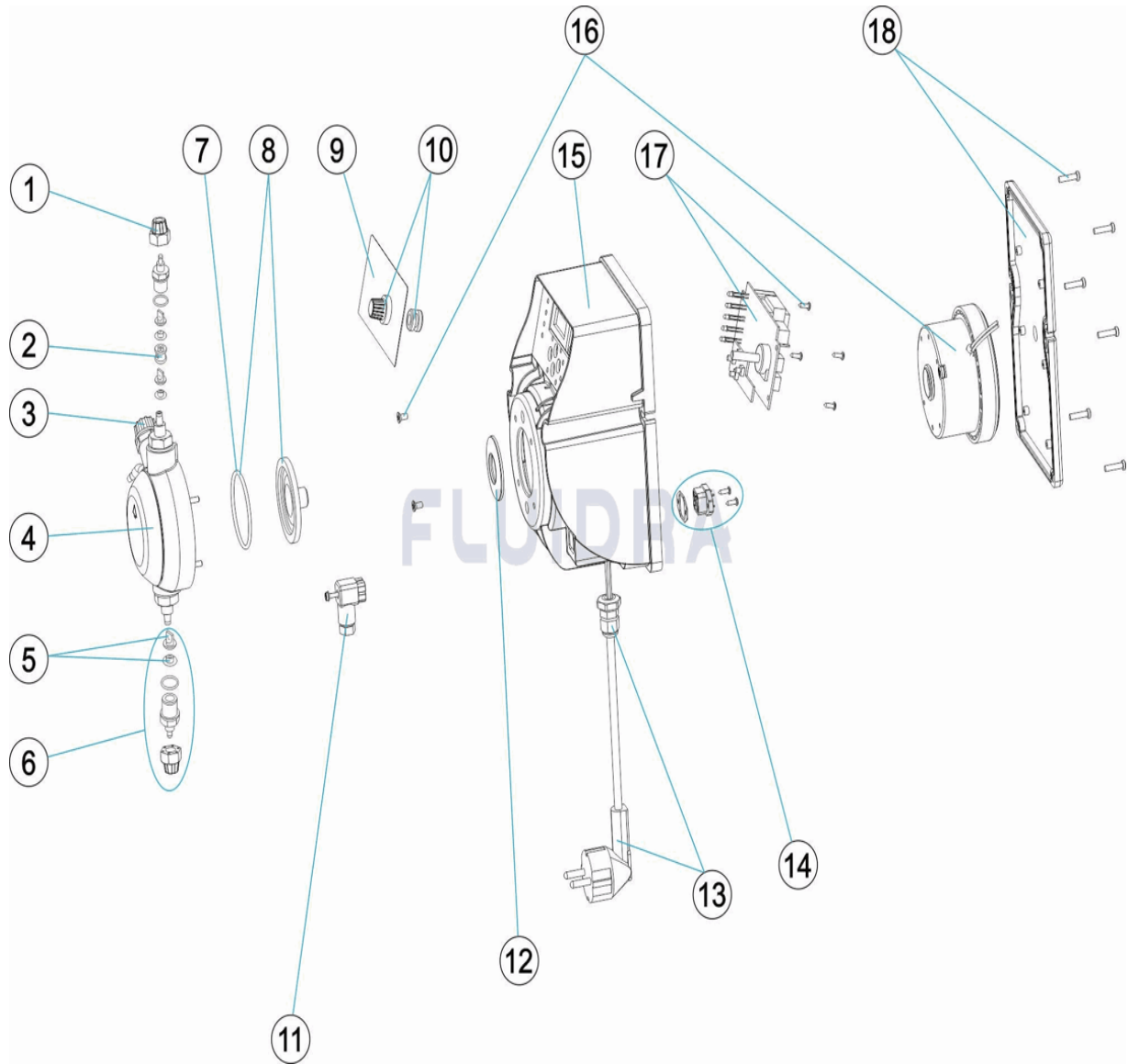
HOJA: 3/3

CODIGO **65983, 65984, 65985, 65986**DESCRIPCION: **BOMBA DOSIFICADORA CLASS ON-OFF**

## OBSERVACIONES

| POS | CODIGO       | OBSERVACIONES             |
|-----|--------------|---------------------------|
| 7   | * CE08030111 | PARA: 65983, 65984, 65985 |
| 7   | * CE08030413 | PARA: 65986               |
| 8   | * CE08030119 | PARA: 65983, 65984, 65985 |
| 8   | * CE08030429 | PARA: 65986               |
| 12  | * CE08030531 | PARA: 65983, 65984        |
| 12  | * CE08031121 | PARA: 65985               |
| 12  | * CE08031122 | PARA: 65986               |
| 16  | * CE08030921 | PARA: 65983               |
| 16  | * CE08030118 | PARA: 65984               |
| 16  | * CE08030517 | PARA: 65985               |
| 16  | * CE08030065 | PARA: 65986               |
| 17  | * CE08030035 | PARA: 65983, 65984, 65985 |
| 17  | * CE08030036 | PARA: 65986               |

CODE **65983, 65984, 65985, 65986**

 DESCRIPTION: **POMPE DOSEUSE CLASS ON-OFF**

**FRANCAIS**

| POS | CODE         | DESCRIPTION                     | QUANTITE | POS | CODE         | DESCRIPTION                       | QUANTITE |
|-----|--------------|---------------------------------|----------|-----|--------------|-----------------------------------|----------|
| 1   | CE08030126   | ECROU DE TUBE D'ASPIRATION      |          | 10  | CE08031806   | RONDELLE ET TÉLÉCOMMANDE POTENTIK |          |
| 2   | CE08033111   | DISTANCIALE DE PURGE            |          | 11  | CE08031729   | CONECTEUR DE NIVEAU               |          |
| 3   | CE08032308   | BOUCHON PURGE                   |          | 12  | * CE08030531 | RONDELLE PISTON 5L 7KG            |          |
| 4   | CE08033102   | TETE COMPLET 5-10 L.            |          | 12  | * CE08031121 | RONDELLE PISTON 10L 5KG           |          |
| 5   | CE08030116   | CLAPET VITON + SUPPORT          |          | 12  | * CE08031122 | RONDELLE PISTON 20L 5KG           |          |
| 5   | CE08030117   | CLAPET SILICONA + SUPPORT       |          | 13  | CE08033110   | CABLE ALIMENTATION                |          |
| 5   | CE08030115   | CLAPET DUTRAL + SUPPORT         |          | 14  | CE08031405   | CONNECTEUR MÂLE                   |          |
| 6   | CE08030113   | CORPS RACCORD + CLAPET VITON    |          | 15  | CE08030064   | CARCASSE POMPE CLASS              |          |
| 6   | CE08030114   | CORPS RACCORD + CLAPET SILICONE |          | 16  | * CE08030921 | ELECTROAIMANT 2 L. 5KG            |          |
| 6   | CE08030112   | CORPS RACCORD + CLAPET DUTRAL   |          | 16  | * CE08030118 | ELECTROAIMANT COMPLETO 5L 7KG     |          |
| 7   | * CE08030111 | JOINT TORIQUE TETE              |          | 16  | * CE08030517 | ELECTROAIMANT 10L 5KG             |          |
| 7   | * CE08030413 | JOINT TORIQUE TETE 20L 5KG      |          | 16  | * CE08030065 | ELECTROAIMANT 20L 3KG             |          |
| 8   | * CE08030119 | MEMBRANE COMPLETE               |          | 17  | * CE08030035 | CIRCUIT ELECTRONIQUE MA/ADL       |          |



# ÉCLATÉ

REV.: 1

1136

DATE: 22/10/2019

PAG.: 2/3

CODE **65983, 65984, 65985, 65986**DESCRIPTION: **POMPE DOSEUSE CLASS ON-OFF**

|   |              |                           |    |              |                                     |
|---|--------------|---------------------------|----|--------------|-------------------------------------|
| 8 | * CE08030429 | MEMBRANE COMPLETE 20L 5KG | 17 | * CE08030036 | CIRCUIT ELECTRONIQUE MA/ADL 20L-5KG |
| 9 | CE08030059   | BOÎTIER COMMANDES         | 18 | CE08030067   | COUVERCLE POMPE                     |



# ÉCLATÉ

REV.: 1  
DATE: 22/10/2019  
PAG.: 3/3

1136

CODE **65983, 65984, 65985, 65986**

DESCRIPTION: **POMPE DOSEUSE CLASS ON-OFF**

## OBSERVATIONS

| POS | CODE         | OBSERVATIONS              |
|-----|--------------|---------------------------|
| 7   | * CE08030111 | POUR: 65983, 65984, 65985 |
| 7   | * CE08030413 | POUR: 65986               |
| 8   | * CE08030119 | POUR: 65983, 65984, 65985 |
| 8   | * CE08030429 | POUR: 65986               |
| 12  | * CE08030531 | POUR: 65983, 65984        |
| 12  | * CE08031121 | POUR: 65985               |
| 12  | * CE08031122 | POUR: 65986               |
| 16  | * CE08030921 | POUR: 65983               |
| 16  | * CE08030118 | POUR: 65984               |
| 16  | * CE08030517 | POUR: 65985               |
| 16  | * CE08030065 | POUR: 65986               |
| 17  | * CE08030035 | POUR: 65983, 65984, 65985 |
| 17  | * CE08030036 | POUR: 65986               |



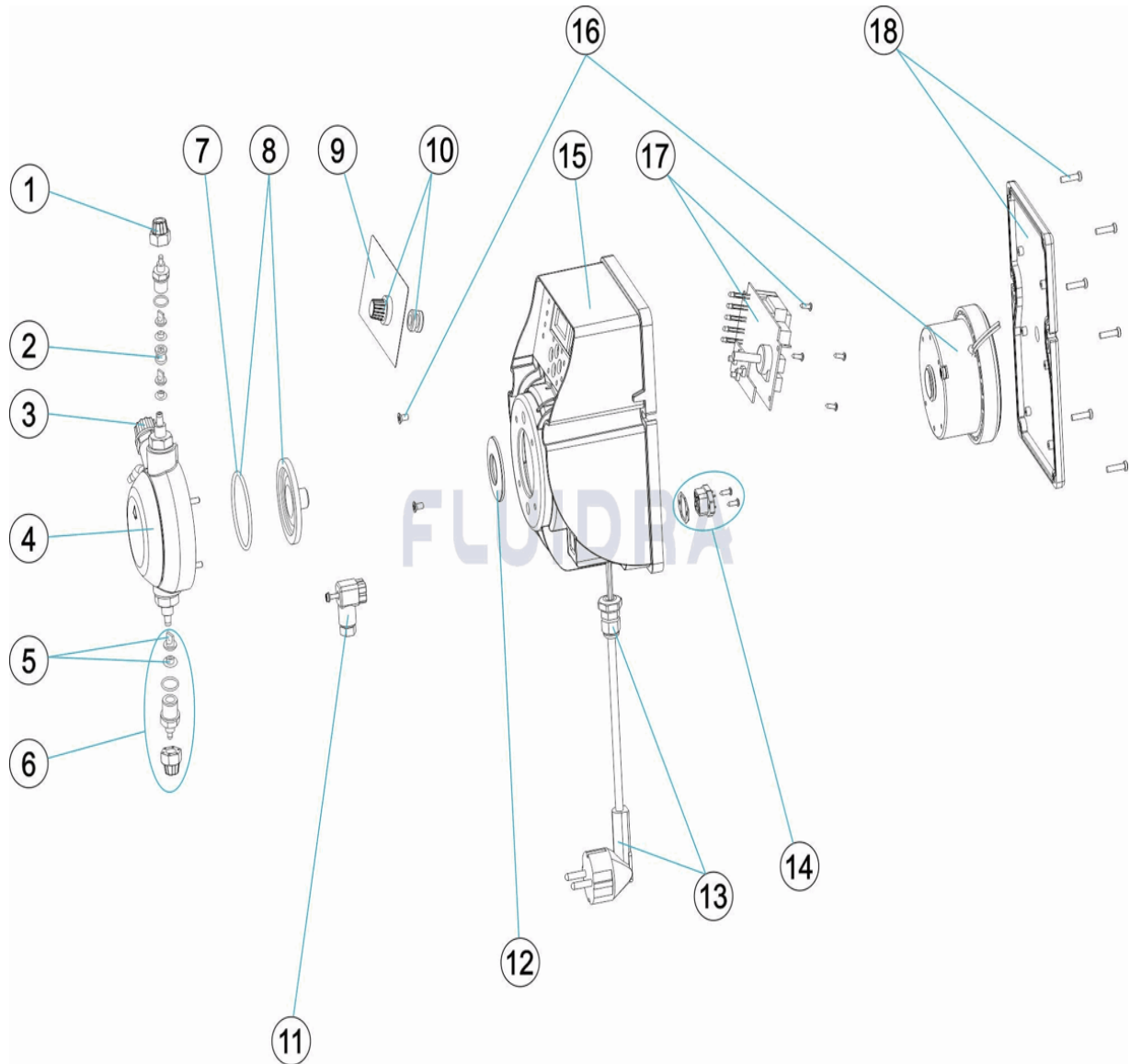
# PARTS BREAKDOWN

REV.: 1  
DATE: 22/10/2019  
SHEET: 1/3

1136

CODE 65983, 65984, 65985, 65986

DESCRIPTION: DOSING PUMP CLASS ON-OFF



## ENGLISH

| POS | CODE         | DESCRIPTION                   | QUANTITY | POS | CODE         | DESCRIPTION                       | QUANTITY |
|-----|--------------|-------------------------------|----------|-----|--------------|-----------------------------------|----------|
| 1   | CE08030126   | SUCTION TUBE NUT              |          | 10  | CE08031806   | WASHER AND POTENTIOMETER KNOB     |          |
| 2   | CE08033111   | DISTANCIALE FOR BLEEDING      |          | 11  | CE08031729   | FEMALE CONNECTOR BCN              |          |
| 3   | CE08032308   | DRAIN PLUG                    |          | 12  | * CE08030531 | PISTON WASHER 5L 7KG              |          |
| 4   | CE08033102   | COMPLETE HEAD ASSEMBLY5-10 L. |          | 12  | * CE08031121 | PISTON WASHER 10L 5KG             |          |
| 5   | CE08030116   | VITON VALVE + SUPPORT         |          | 12  | * CE08031122 | PISTON WASHER 20L 5KG             |          |
| 5   | CE08030117   | SILICON VALVE + SUPPORT       |          | 13  | CE08033110   | SUPPLY CABLE                      |          |
| 5   | CE08030115   | DUTRAL VALVE + SUPPORT        |          | 14  | CE08031405   | MALE CONNECTOR                    |          |
| 6   | CE08030113   | HEAD CONNECTOR BODY + VITON   |          | 15  | CE08030064   | PUMP BOX CLASS                    |          |
| 6   | CE08030114   | HEAD CONNECTOR BODY + SILICON |          | 16  | * CE08030921 | ELECTROMAGNET 2 L. 5KG            |          |
| 6   | CE08030112   | HEAD CONNECTOR BODY + DUTRAL  |          | 16  | * CE08030118 | ELECTROMAGNET ASSEMBLY COMPLETE(C |          |
| 7   | * CE08030111 | HEAD O RING                   |          | 16  | * CE08030517 | ELECTROMAGNET 10L 5KG             |          |
| 7   | * CE08030413 | HEAD O RING 20L 5KG           |          | 16  | * CE08030065 | ELECTROMAGNET 20L 3KG             |          |
| 8   | * CE08030119 | DIAPHRAM COMPLETE             |          | 17  | * CE08030035 | ELECTRONIC CIRCUIT MA/ADL         |          |

\* SEE OBSERVATIONS SHEET



# PARTS BREAKDOWN

REV.: 1

1136

DATE: 22/10/2019

SHEET: 2/3

CODE                    **65983, 65984, 65985, 65986**DESCRIPTION: **DOSING PUMP CLASS ON-OFF**

|   |              |                           |    |              |                                   |
|---|--------------|---------------------------|----|--------------|-----------------------------------|
| 8 | * CE08030429 | DIAPHRAM COMPLETE 20L 5KG | 17 | * CE08030036 | ELECTRONIC CIRCUIT MA/ADL 20L-5KG |
| 9 | CE08030059   | CONTROL FACEPLATE         | 18 | CE08030067   | PUMP REAR COVER                   |





# PARTS BREAKDOWN

REV.: 1  
DATE: 22/10/2019  
SHEET: 3/3

1136

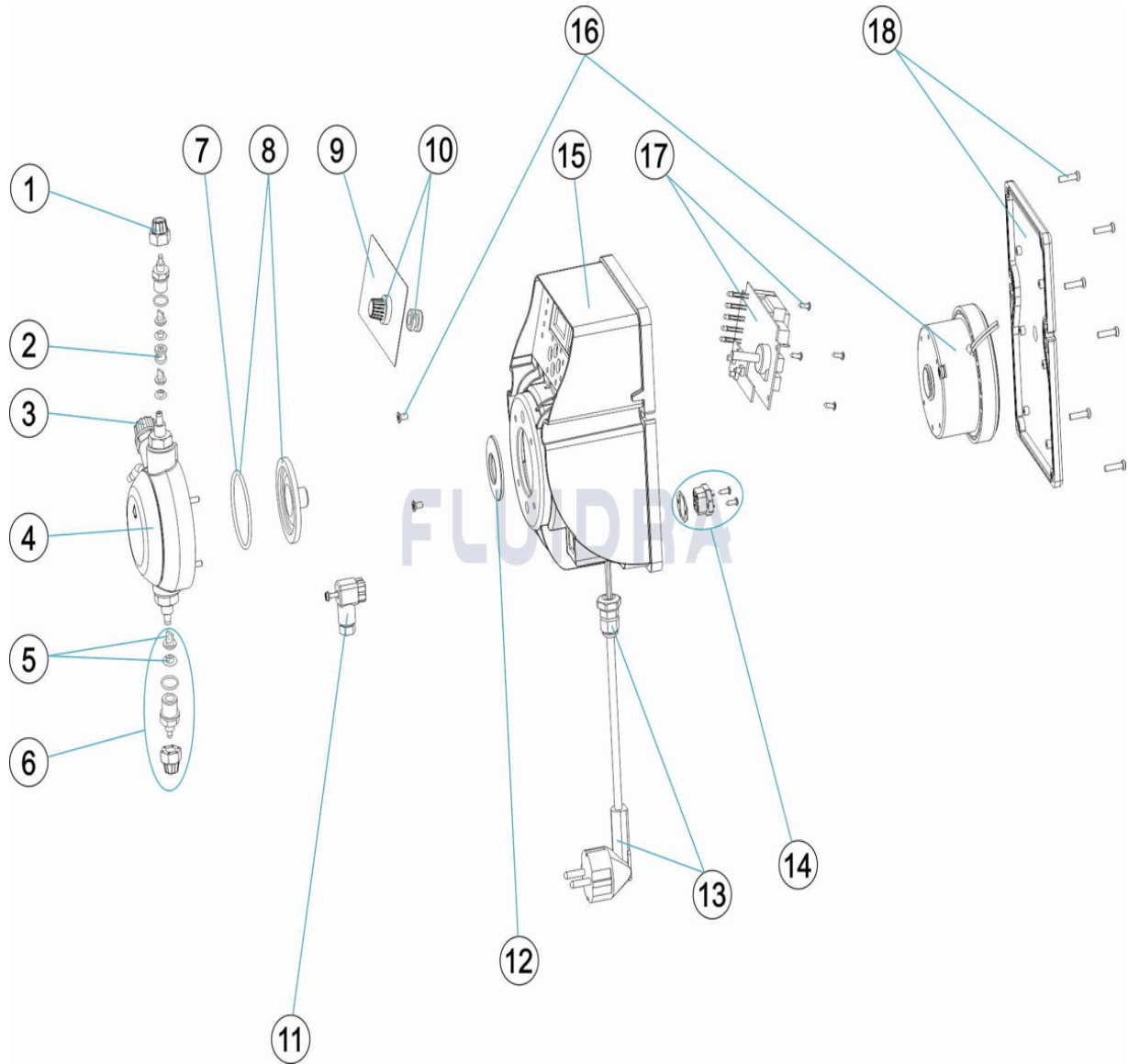
CODE                    **65983, 65984, 65985, 65986**

DESCRIPTION: **DOSING PUMP CLASS ON-OFF**

## OBSERVATIONS

| POS | CODE         | OBSERVATIONS             |
|-----|--------------|--------------------------|
| 7   | * CE08030111 | FOR: 65983, 65984, 65985 |
| 7   | * CE08030413 | FOR: 65986               |
| 8   | * CE08030119 | FOR: 65983, 65984, 65985 |
| 8   | * CE08030429 | FOR: 65986               |
| 12  | * CE08030531 | FOR: 65983, 65984        |
| 12  | * CE08031121 | FOR: 65985               |
| 12  | * CE08031122 | FOR: 65986               |
| 16  | * CE08030921 | FOR: 65983               |
| 16  | * CE08030118 | FOR: 65984               |
| 16  | * CE08030517 | FOR: 65985               |
| 16  | * CE08030065 | FOR: 65986               |
| 17  | * CE08030035 | FOR: 65983, 65984, 65985 |
| 17  | * CE08030036 | FOR: 65986               |

CODICE **65983, 65984, 65985, 65986**

 DESCRIZIONE: **POMPA DOSIFICATRICE CLASS ON-OFF**

**ITALIANO**

| POS | CODICE       | DESCRIZIONE                          | QUANTITA' | POS | CODICE       | DESCRIZIONE                        | QUANTITA' |
|-----|--------------|--------------------------------------|-----------|-----|--------------|------------------------------------|-----------|
| 1   | CE08030126   | GHIERA FISSAGGIO TUBO                |           | 10  | CE08031806   | RONDELLA E COMANDO POTENZIOMETRICO |           |
| 2   | CE08033111   | DISTANCIALE PER SPURGO               |           | 11  | CE08031729   | CONNETTORE DI LIVELLO              |           |
| 3   | CE08032308   | TAPPO SPURGO                         |           | 12  | * CE08030531 | RONDELLA PISTONE 5L 7KG            |           |
| 4   | CE08033102   | TESTA COMPLETA 5-10 L.               |           | 12  | * CE08031121 | RONDELLA PISTONE 10L 5KG           |           |
| 5   | CE08030116   | VALVOLA + SUPPORTO                   |           | 12  | * CE08031122 | RONDELLA PISTONE 20L 5KG           |           |
| 5   | CE08030117   | VALVOLA SILICONE + SUPPORTO          |           | 13  | CE08033110   | CAVO DI ALIMENTAZIONE              |           |
| 5   | CE08030115   | VALVOLA DUTRAL + SUPPORTO            |           | 14  | CE08031405   | CONNETTORE MASCHIO                 |           |
| 6   | CE08030113   | CORPO RACCORDO + VALVOLA IN VITON    |           | 15  | CE08030064   | CASSA POMPA CLASS                  |           |
| 6   | CE08030114   | CORPO RACCORDO + VALVOLA IN SILICIOI |           | 16  | * CE08030921 | ELETTROCALAMITA 2 L. 5KG           |           |
| 6   | CE08030112   | CORPO RACCORDO + VALVOLA IN DUTRA    |           | 16  | * CE08030118 | ELETTROCALAMITA COMPLETA 5L 7KG    |           |
| 7   | * CE08030111 | O-RING PER TESTA                     |           | 16  | * CE08030517 | ELETTROCALAMITA 10L 5KG            |           |
| 7   | * CE08030413 | O-RING TESTA 20L 5KG                 |           | 16  | * CE08030065 | ELETTROCALAMITA 20L 3KG            |           |
| 8   | * CE08030119 | MEMBRANA COMPLETA                    |           | 17  | * CE08030035 | CIRCUITO ELETTRONICO MA/ADL        |           |

**\* SI FACCIÀ RIFERIMENTO AL FOGLIO DELLE OSSERVAZIONI**



# ESPLOSO

REV.: 1

1136

DATA: 22/10/2019

PAG.: 2/3

CODICE **65983, 65984, 65985, 65986**DESCRIZIONE: **POMPA DOSIFICATRICE CLASS ON-OFF**

|   |              |                           |    |              |                                     |
|---|--------------|---------------------------|----|--------------|-------------------------------------|
| 8 | * CE08030429 | MEMBRANA COMPLETA 20L 5KG | 17 | * CE08030036 | CIRCUITO ELETTRONICO MA/ADL 20L-5KG |
| 9 | CE08030059   | PANNELLO COMANDO          | 18 | CE08030067   | COPRIVENTOLA POMPA                  |



# ESPLOSO

REV.: 1  
DATA: 22/10/2019  
PAG.: 3/3

1136

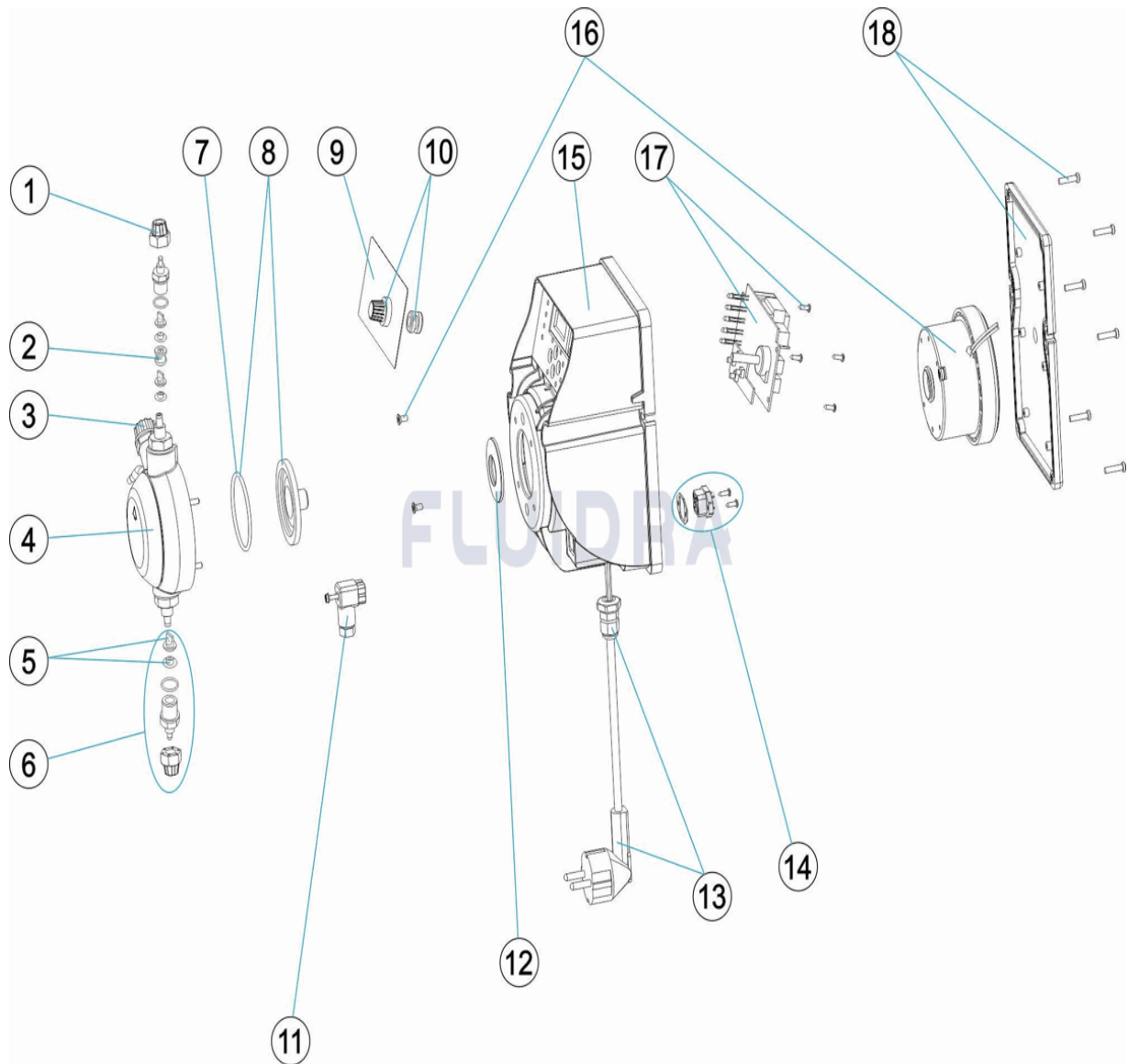
CODICE           **65983, 65984, 65985, 65986**

DESCRIZIONE: **POMPA DOSIFICATRICE CLASS ON-OFF**

## OSSERVAZIONI

| POS | CODICE       | OSSERVAZIONI             |
|-----|--------------|--------------------------|
| 7   | * CE08030111 | PER: 65983, 65984, 65985 |
| 7   | * CE08030413 | PER: 65986               |
| 8   | * CE08030119 | PER: 65983, 65984, 65985 |
| 8   | * CE08030429 | PER: 65986               |
| 12  | * CE08030531 | PER: 65983, 65984        |
| 12  | * CE08031121 | PER: 65985               |
| 12  | * CE08031122 | PER: 65986               |
| 16  | * CE08030921 | PER: 65983               |
| 16  | * CE08030118 | PER: 65984               |
| 16  | * CE08030517 | PER: 65985               |
| 16  | * CE08030065 | PER: 65986               |
| 17  | * CE08030035 | PER: 65983, 65984, 65985 |
| 17  | * CE08030036 | PER: 65986               |

CODE **65983, 65984, 65985, 65986**

 BESCHREIBUNG: **DOSIERPUMPE CLASS ON-OFF**

**DEUTSCH**

| POS | CODE         | BESCHREIBUNG                   | MENGE | POS | CODE         | BESCHREIBUNG                        | MENGE |
|-----|--------------|--------------------------------|-------|-----|--------------|-------------------------------------|-------|
| 1   | CE08030126   | MUTTER BEFESTIGUNG ROHR        |       | 10  | CE08031806   | UNTERLEGSCHIEBE UND STEUERUNG PO    |       |
| 2   | CE08033111   | DISTANZSTÜCK ENTLÜFTUNG        |       | 11  | CE08031729   | VERBINDUNGSSTÜCK FÜLLSTAND          |       |
| 3   | CE08032308   | ABLASSSTOPFEN KOPFSTÜCK CP STD |       | 12  | * CE08030531 | KOLBENSCHIEBE 5 L 7 KG              |       |
| 4   | CE08033102   | KOPFSTÜCK KOMPLETT 5 - 10 L    |       | 12  | * CE08031121 | KOLBENSCHIEBE 10 L 5 KG             |       |
| 5   | CE08030116   | VENTIL VITON MIT HALTERUNG     |       | 12  | * CE08031122 | KOLBENSCHIEBE 20 L 5 KG             |       |
| 5   | CE08030117   | VENTIL SILIKON MIT HALTERUNG   |       | 13  | CE08033110   | VERSORUNGSKABEL                     |       |
| 5   | CE08030115   | VENTIL DUTRAL MIT HALTERUNG    |       | 14  | CE08031405   | STECKER                             |       |
| 6   | CE08030113   | VENTILSATZ MIT VITON           |       | 15  | CE08030064   | PUMPENGEHÄUSE CLASS                 |       |
| 6   | CE08030114   | VENTILSATZ MIT SILIKON         |       | 16  | * CE08030921 | ELEKTROMAGNET 2 L 5 KG              |       |
| 6   | CE08030112   | VENTILSATZ MIT DUTRAL          |       | 16  | * CE08030118 | ELEKTROMAGNET KOMPLETT 5 L 7 KG     |       |
| 7   | * CE08030111 | O-RING KOPFSTÜCK               |       | 16  | * CE08030517 | ELEKTROMAGNET 10 L 5 KG             |       |
| 7   | * CE08030413 | O-RING KOPFSTÜCK 20 L 5 KG     |       | 16  | * CE08030065 | ELEKTROMAGNET 20L 3KG               |       |
| 8   | * CE08030119 | KOMPLETTMEMBERAN               |       | 17  | * CE08030035 | PLATINE SCHALTREIS MA/ADL MIT FÜLLS |       |

\* SIEHE ANMERKUNGSBLATT



# EINZELTEILE

ÜBER.: 1

1136

DATUM: 22/10/2019

BLATT: 2/3

CODE **65983, 65984, 65985, 65986**BESCHREIBUNG: **DOSIERPUMPE CLASS ON-OFF**

|   |              |                            |    |              |                                      |
|---|--------------|----------------------------|----|--------------|--------------------------------------|
| 8 | * CE08030429 | KOMPLETTMEMBERAN 20 L 5 KG | 17 | * CE08030036 | PLATINE SCHALTKREIS MA/ADL MIT FÜLLS |
| 9 | CE08030059   | BEDIENFELD STEUERUNG       | 18 | CE08030067   | ABDECKUNG HINTEN PUMPE               |



# EINZELTEILE

ÜBER.: 1

1136

DATUM: 22/10/2019

BLATT: 3/3

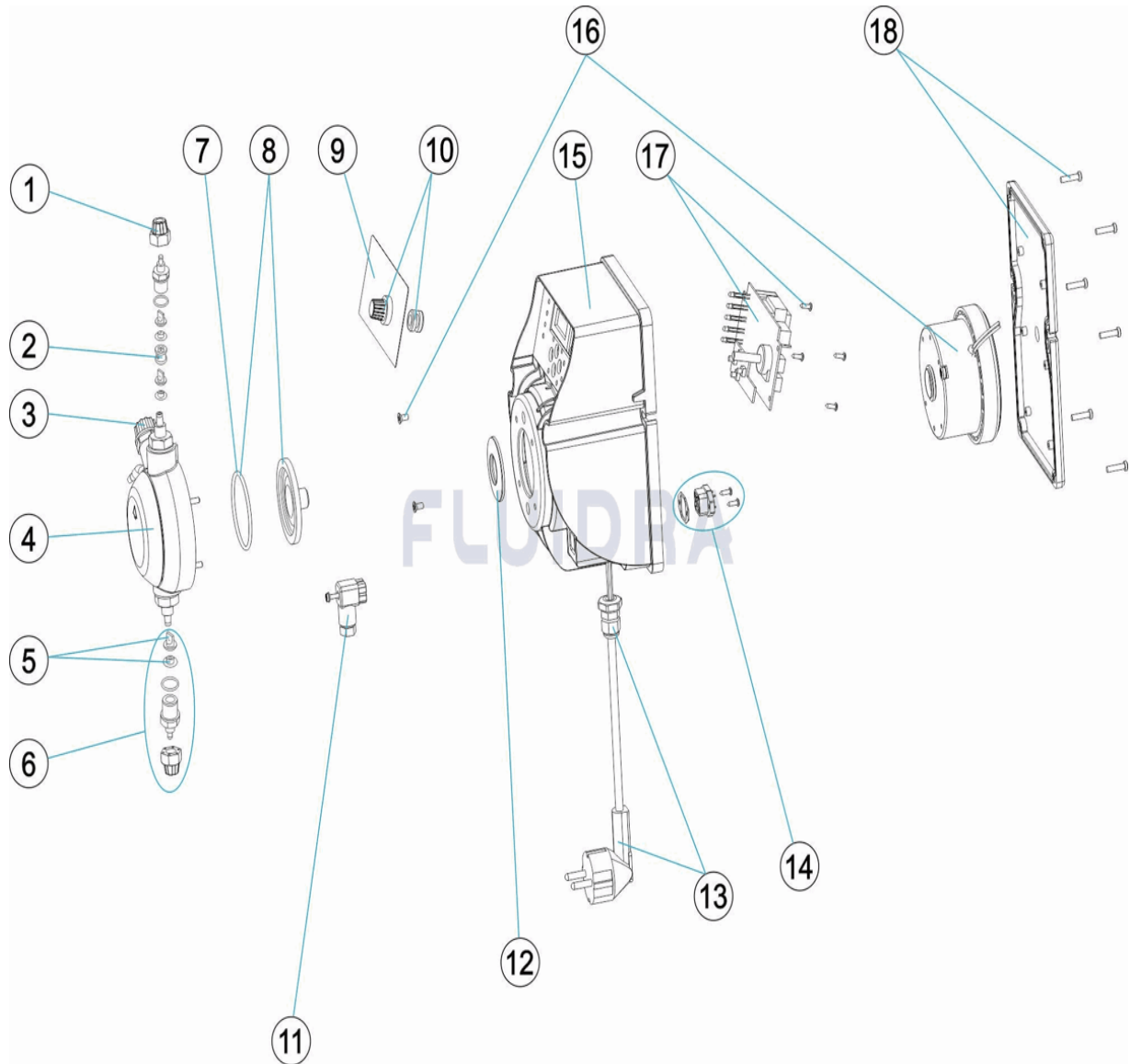
CODE **65983, 65984, 65985, 65986**BESCHREIBUNG: **DOSIERPUMPE CLASS ON-OFF**

## HINWEISE

| POS | CODE         | HINWEISE                 |
|-----|--------------|--------------------------|
| 7   | * CE08030111 | FÜR: 65983, 65984, 65985 |
| 7   | * CE08030413 | FÜR: 65986               |
| 8   | * CE08030119 | FÜR: 65983, 65984, 65985 |
| 8   | * CE08030429 | FÜR: 65986               |
| 12  | * CE08030531 | FÜR: 65983, 65984        |
| 12  | * CE08031121 | FÜR: 65985               |
| 12  | * CE08031122 | FÜR: 65986               |
| 16  | * CE08030921 | FÜR: 65983               |
| 16  | * CE08030118 | FÜR: 65984               |
| 16  | * CE08030517 | FÜR: 65985               |
| 16  | * CE08030065 | FÜR: 65986               |
| 17  | * CE08030035 | FÜR: 65983, 65984, 65985 |
| 17  | * CE08030036 | FÜR: 65986               |

CODIGO **65983, 65984, 65985, 65986**

DESCRICAÇÃO: **BOMBA DOSEADORA CLASS ON-OFF**



**PORTUGUES**

| POS | CODIGO       | DESCRICAÇÃO                  | JANTIDADE | POS | CODIGO       | DESCRICAÇÃO                    | JANTIDADE |
|-----|--------------|------------------------------|-----------|-----|--------------|--------------------------------|-----------|
| 1   | CE08030126   | PORCA SUJEIÇÃO TUBO          |           | 10  | CE08031806   | ANILHA E COMANDO POTENCIOMETRO |           |
| 2   | CE08033111   | DISTANCIADOR DO PURGE        |           | 11  | CE08031729   | LIGAÇÃO NIVEL                  |           |
| 3   | CE08032308   | TAMPÃO PURGA                 |           | 12  | * CE08030531 | ANILHA PISTON 5L 7KG           |           |
| 4   | CE08033102   | CABEÇAL COMPLETO 5-10 L.     |           | 12  | * CE08031121 | ANILHA PISTON 10L 5KG          |           |
| 5   | CE08030116   | VÁLVULA VITON + SUPORTE      |           | 12  | * CE08031122 | ANILHA PISTON 20L 5KG          |           |
| 5   | CE08030117   | VÁLVULA SILICONE + SUPORTE   |           | 13  | CE08033110   | CABO ALIMENTAÇÃO               |           |
| 5   | CE08030115   | VÁLVULA DUTRAL + SUPORTE     |           | 14  | CE08031405   | LIGAÇÃO MACHO                  |           |
| 6   | CE08030113   | CORPO RACORD + VITON         |           | 15  | CE08030064   | CAIXA BOMBA CLASS              |           |
| 6   | CE08030114   | CORPO RACORD + SILICONE      |           | 16  | * CE08030921 | ELECTROIMAN 2 L. 5KG           |           |
| 6   | CE08030112   | CORPO RACORD + DUTRAL        |           | 16  | * CE08030118 | ELECTROIMAN COMPLETO 5L 7KG    |           |
| 7   | * CE08030111 | JUNTA TORICA CABEÇAL         |           | 16  | * CE08030517 | ELECTROIMAN 10L 5KG            |           |
| 7   | * CE08030413 | JUNTA TORICA CABEÇAL 20L 5KG |           | 16  | * CE08030065 | ELECTROIMAN 20L 3KG            |           |
| 8   | * CE08030119 | MEMBRANA COMPLETA            |           | 17  | * CE08030035 | CIRCUITO ELECTRONICO MA/ADL    |           |





# ITEM

REV.: 1

1136

DATA: 22/10/2019

FOLHA: 2/3

CODIGO **65983, 65984, 65985, 65986**DESCRIÇÃO: **BOMBA DOSEADORA CLASS ON-OFF**

|   |              |                           |    |              |                                     |
|---|--------------|---------------------------|----|--------------|-------------------------------------|
| 8 | * CE08030429 | MEMBRANA COMPLETA 20L 5KG | 17 | * CE08030036 | CIRCUITO ELECTRONICO MA/ADL 20L-5KG |
| 9 | CE08030059   | PAINEL COMANDO            | 18 | CE08030067   | TAMPA TRASEIRA BOMBA                |



# ITEM

REV.: 1

1136

DATA: 22/10/2019

FOLHA: 3/3

CODIGO **65983, 65984, 65985, 65986**DESCRIÇÃO: **BOMBA DOSEADORA CLASS ON-OFF**

## OBSERVAÇÕES

| POS | CODIGO       | OBSERVAÇÕES               |
|-----|--------------|---------------------------|
| 7   | * CE08030111 | PARA: 65983, 65984, 65985 |
| 7   | * CE08030413 | PARA: 65986               |
| 8   | * CE08030119 | PARA: 65983, 65984, 65985 |
| 8   | * CE08030429 | PARA: 65986               |
| 12  | * CE08030531 | PARA: 65983, 65984        |
| 12  | * CE08031121 | PARA: 65985               |
| 12  | * CE08031122 | PARA: 65986               |
| 16  | * CE08030921 | PARA: 65983               |
| 16  | * CE08030118 | PARA: 65984               |
| 16  | * CE08030517 | PARA: 65985               |
| 16  | * CE08030065 | PARA: 65986               |
| 17  | * CE08030035 | PARA: 65983, 65984, 65985 |
| 17  | * CE08030036 | PARA: 65986               |