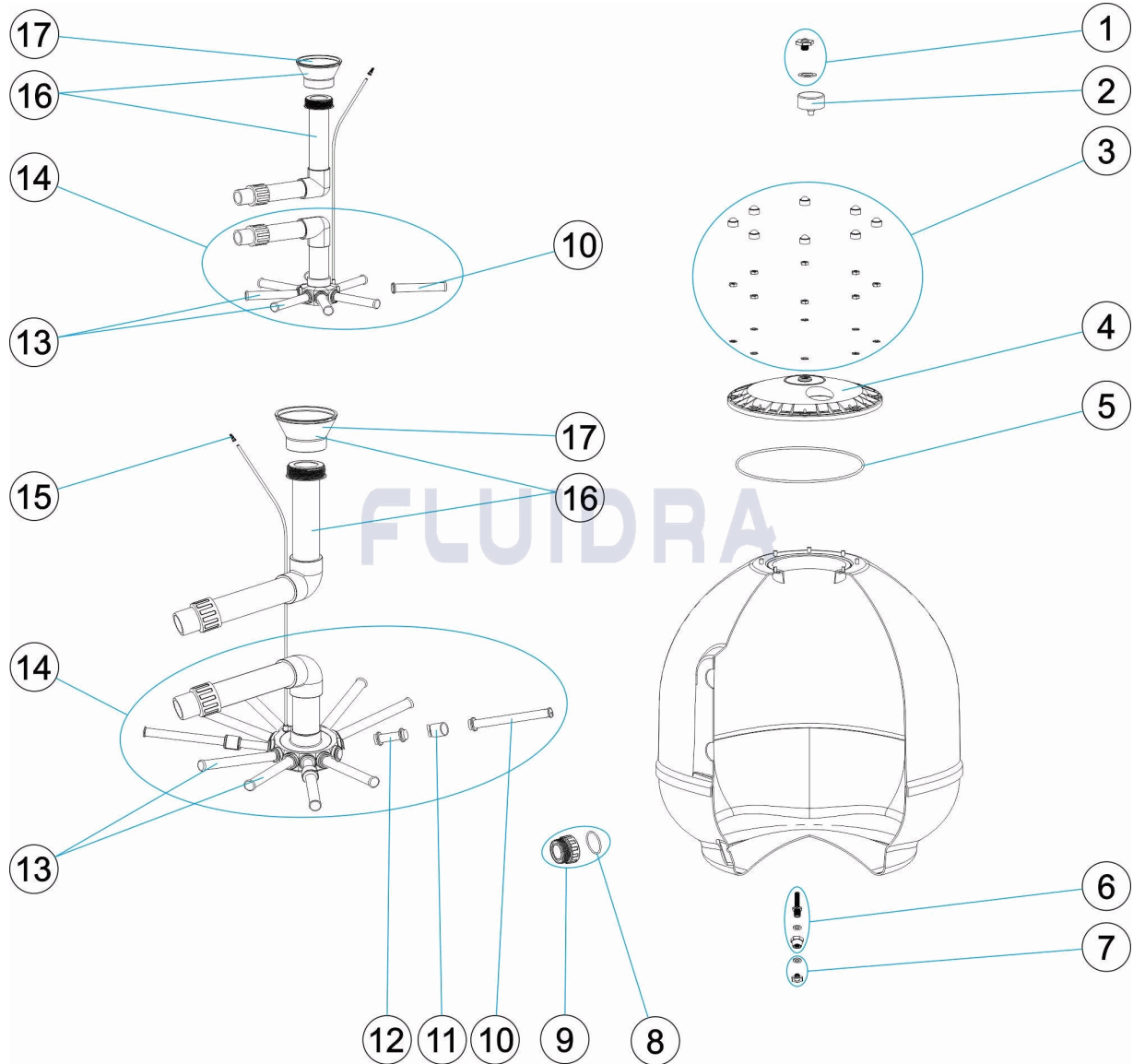


CODIGO **10080BS0, 10081BS0, 10082BS0, 10083BS0**

 DESCRIPCION: **FILTRO SATURN**

ESPAÑOL

POS	CODIGO	DESCRIPCION	CANTIDAD	POS	CODIGO	DESCRIPCION	CANTIDAD
1	CE04290101	TAPON PURGA 1/2" ANONIM "		13	* CE04010027	CJTO. BRAZOS COLECTOR D. 650	
2	CE04180405	MANOMETRO 1/8" 3 KG/C "		13	* CE04010129	CJTO. BRAZOS COLECTOR D. 900	
3	CE04010007	TORNILLERIA TAPA FILTRO		13	* CE04260401	CJTO. BRAZOS COLECTOR D. 950 - 1050	
4	CE04190000	TAPA FILTRO BLANCA		14	* CE04040082	CJTO. COLECTOR D. 500	
5	CE04070101	JUNTA TAPA		14	* CE04040083	CJTO. COLECTOR D. 600	
6	CE04210101	PURGA		14	* CE04040084	CJTO. COLECTOR D. 750	
7	CE04040113	TAPON PURGA Y JUNTA		14	* CE04040085	CJTO. COLECTOR D. 900	
8	CE04040115	JUNTA TORICA D. 60X8		15	CE04040108	PURGA AIRE	
9	* CE04230107	RACORD 1 1/2" + JUNTA TORIC "		16	* CE04040086	CJTO. DIFUSOR D. 500	
9	* CE04302131	RACORD 2" + JUNT "		16	* CE04040087	CJTO. DIFUSOR D. 750	
10	* CE04300915	BRAZO COLECTOR 1" 175 M "		16	* CE04040088	CJTO. DIFUSOR D. 900	
10	* CE04300916	BRAZO COLECTOR 1" 225 M "		16	* CE04040089	CJTO. DIFUSOR D. 600	
11	* CE04260418	MANGUITO ENLACE UNION 1"		17	* CE04301004	CONO DIFUSOR D.50	

CODIGO **10080BS0, 10081BS0, 10082BS0, 10083BS0**

DESCRIPCION: **FILTRO SATURN**

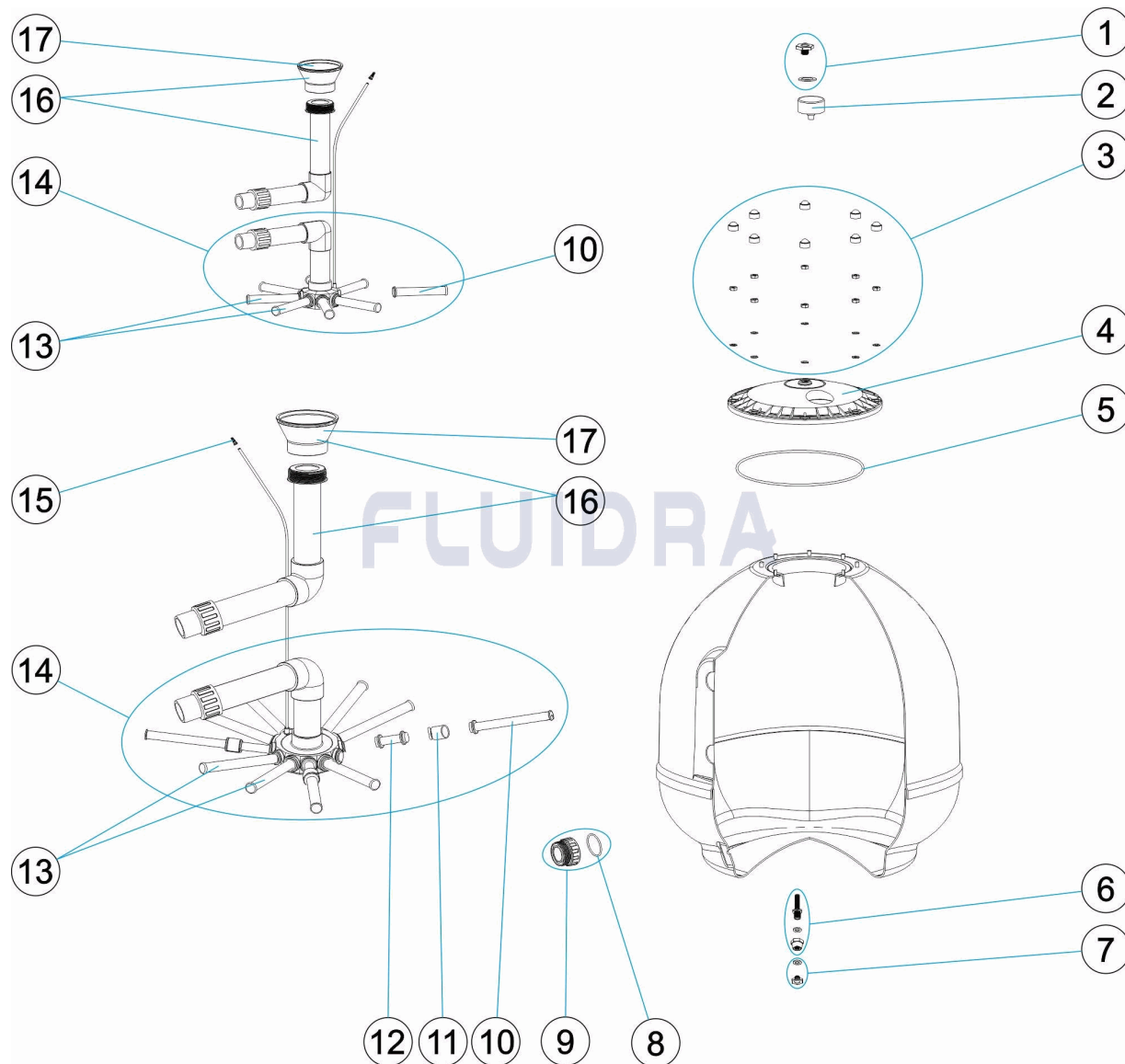
12	* CE04260419	BRAZO COLECTOR 1" 100 M "	17	* CE04300910	CONO DIFUSOR D. 63
13	* CE04010026	CJTO. BRAZOS COLECTOR			

CODIGO **10080BS0, 10081BS0, 10082BS0, 10083BS0**DESCRIPCION: **FILTRO SATURN**

OBSERVACIONES

POS	CODIGO	OBSERVACIONES
9	*CE04230107	PARA: 10080BS0, 10081BS0
9	*CE04302131	PARA: 10082BS0, 10083BS0
10	*CE04300915	PARA: 10080BS0 [4UNIDADES], 10082BS0 [6UNIDADES]
10	*CE04300916	PARA: 10081BS0 [4UNIDADES], 10083BS0 [6UNIDADES]
11	*CE04260418	PARA: 10082BS0 [3UNIDADES], 10083BS0 [3UNIDADES]
12	*CE04260419	PARA: 10082BS0 [3UNIDADES], 10083BS0 [3UNIDADES]
13	*CE04010026	PARA: 10080BS0
13	*CE04010027	PARA: 10081BS0
13	*CE04010129	PARA: 10082BS0
13	*CE04260401	PARA: 10083BS0
14	*CE04040082	PARA: 10080BS0
14	*CE04040083	PARA: 10081BS0
14	*CE04040084	PARA: 10082BS0
14	*CE04040085	PARA: 10083BS0
16	*CE04040086	PARA: 10080BS0
16	*CE04040087	PARA: 10081BS0
16	*CE04040088	PARA: 10082BS0
16	*CE04040089	PARA: 10083BS0
17	*CE04301004	PARA: 10080BS0, 10081BS0
17	*CE04300910	PARA: 10082BS0, 10083BS0

CODE **10080BS0, 10081BS0, 10082BS0, 10083BS0**

 DESCRIPTION: **FILTRE SATURN**

FRANCAIS

POS	CODE	DESCRIPTION	QUANTITE	POS	CODE	DESCRIPTION	QUANTITE
1	CE04290101	BOUCHON PURGE 1/4" ANONYM "		13	* CE04010027	ENSEMBLE BRAS DE REPARTITEUR D. 650	
2	CE04180405	MANOMETRE 1/8" 3 KG./C "		13	* CE04010129	ENSEMBLE BRAS DE REPARTITEUR D. 900	
3	CE04010007	VISSERIE COUVERCLE DE FILTRE		13	* CE04260401	ENSEMBLE BRAS DE REPARTITEUR D. 950	
4	CE04190000	COUVERCLE FILTRE BLANC		14	* CE04040082	ENSEMBLE COLLECTEUR D. 500	
5	CE04070101	JOINT DE COUVERCLE		14	* CE04040083	ENSEMBLE COLLECTEUR D. 600	
6	CE04210101	PURGE		14	* CE04040084	ENSEMBLE COLLECTEUR D. 750	
7	CE04040113	BOUCHON PURGE ET JOINT		14	* CE04040085	ENSEMBLE COLLECTEUR D. 900	
8	CE04040115	JOINT TORIQUE D 60X8		15	CE04040108	PURGE D'AIR	
9	* CE04230107	RACCORD 1 1/2" + JOINT		16	* CE04040086	ENSEMBLE DIFFUSEUR D. 500	
9	* CE04302131	RACCORD 2" + JOIN "		16	* CE04040087	ENSEMBLE DIFFUSEUR D. 750	
10	* CE04300915	BRAS DE REPARTITEUR 1" 175 M "		16	* CE04040088	ENSEMBLE DIFFUSEUR D. 900	
10	* CE04300916	BRAS DE REPARTITEUR 1" 225 M "		16	* CE04040089	ENSEMBLE DIFFUSEUR D. 900	
11	* CE04260418	MANCHON UNION 1"		17	* CE04301004	DIFUSOR CONIQUE SUPERIOR D. 50	

CODE **10080BS0, 10081BS0, 10082BS0, 10083BS0**DESCRIPTION: **FILTRE SATURN**

12	* CE04260419	BRAS DE REPARTITEUR 1" 100M "	17	* CE04300910	DIFUSOR CONIQUE SUPÉRIOR D. 63
13	* CE04010026	ENSEMBLE BRAS DE REPARTITEUR			

CODE **10080BS0, 10081BS0, 10082BS0, 10083BS0**

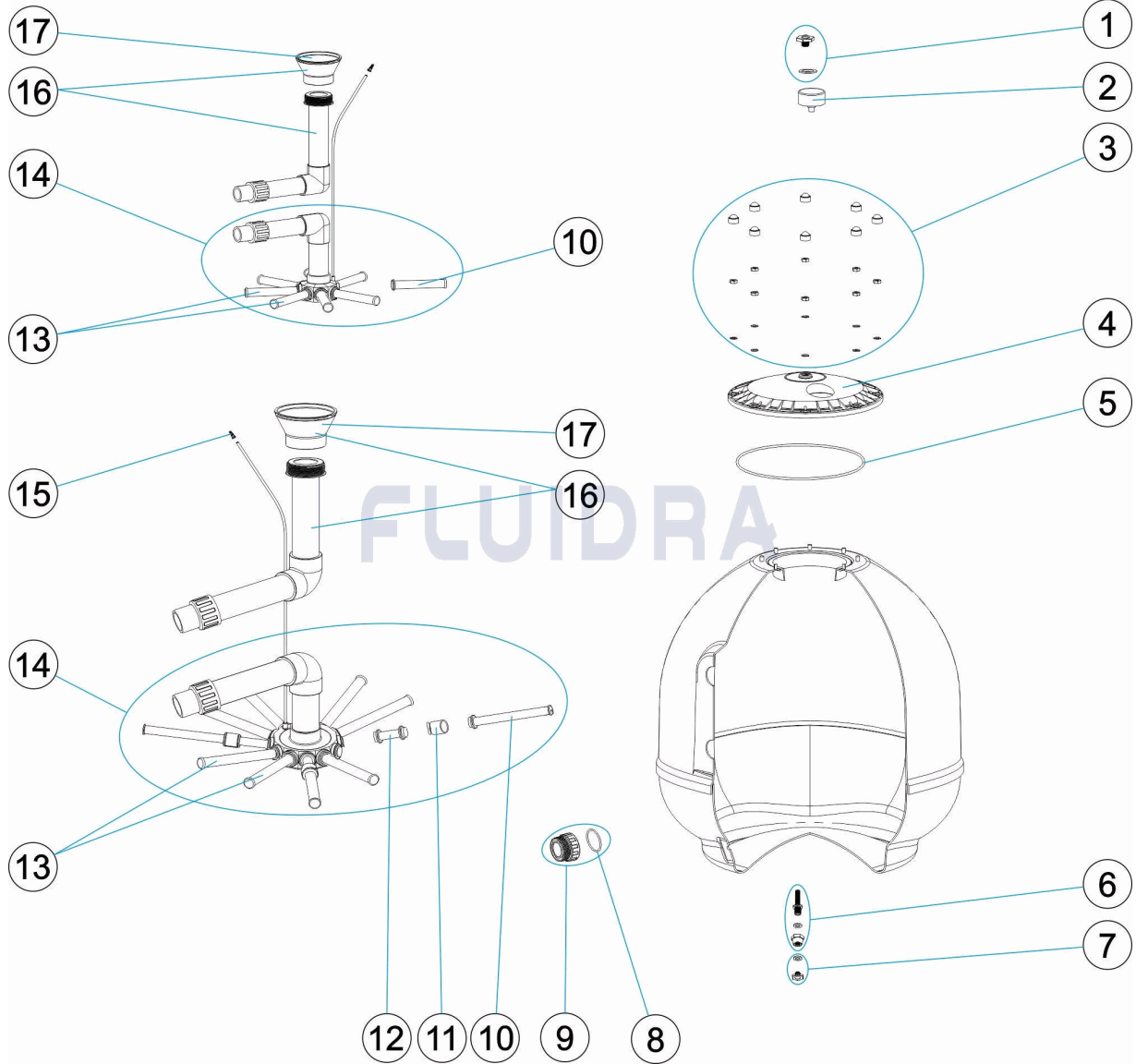
DESCRIPTION: **FILTRE SATURN**

OBSERVATIONS

POS	CODE	OBSERVATIONS
9	*CE04230107	POUR: 10080BS0, 10081BS0
9	*CE04302131	POUR: 10082BS0, 10083BS0
10	*CE04300915	POUR: 10080BS0 [4UT], 10082BS0 [6UT]
10	*CE04300916	POUR: 10081BS0 [4UT], 10083BS0 [6UT]
11	*CE04260418	POUR: 10082BS0 [3UT], 10083BS0 [3UT]
12	*CE04260419	POUR: 10082BS0 [3UT], 10083BS0 [3UT]
13	*CE04010026	POUR: 10080BS0
13	*CE04010027	POUR: 10081BS0
13	*CE04010129	POUR: 10082BS0
13	*CE04260401	POUR: 10083BS0
14	*CE04040082	POUR: 10080BS0
14	*CE04040083	POUR: 10081BS0
14	*CE04040084	POUR: 10082BS0
14	*CE04040085	POUR: 10083BS0
16	*CE04040086	POUR: 10080BS0
16	*CE04040087	POUR: 10081BS0
16	*CE04040088	POUR: 10082BS0
16	*CE04040089	POUR: 10083BS0
17	*CE04301004	POUR: 10080BS0, 10081BS0
17	*CE04300910	POUR: 10082BS0, 10083BS0

CODE **10080BS0, 10081BS0, 10082BS0, 10083BS0**

DESCRIPTION: **SATURN FILTER**



ENGLISH

POS	CODE	DESCRIPTION	QUANTITY	POS	CODE	DESCRIPTION	QUANTITY
1	CE04290101	ANONYMOUS CAP		13	* CE04010027	MANIFOLD ARM ASSEMBLY D. 650	
2	CE04180405	PRESSURE GAUGE 1/8" 3 KG./C "		13	* CE04010129	MANIFOLD ARM ASSEMBLY D. 900	
3	CE04010007	FILTER LID BOLTS		13	* CE04260401	MANIFOLD ARM ASSEMBLY D. 950-1050	
4	CE04190000	FILTER LID WHITE		14	* CE04040082	COLLECTOR ASSEMBLY D. 500	
5	CE04070101	LID GASKET		14	* CE04040083	COLLECTOR ASSEMBLY D. 600	
6	CE04210101	PURGE		14	* CE04040084	COLLECTOR ASSEMBLY D. 750	
7	CE04040113	DRAIN PLUG AND GASKET		14	* CE04040085	COLLECTOR ASSEMBLY D. 900	
8	CE04040115	O' RING D. 60X8		15	CE04040108	AIR PURGE	
9	* CE04230107	1 1/2' FITTING + GASKET		16	* CE04040086	DIFFUSER ASSEMBLY D. 500	
9	* CE04302131	FITTING 2" + GASKE "		16	* CE04040087	DIFFUSER ASSEMBLY D. 750	
10	* CE04300915	MANIFOLD ARM 1" 175 M "		16	* CE04040088	DIFFUSER ASSEMBLY D. 900	
10	* CE04300916	MANIFOLD ARM 1" 225 M "		16	* CE04040089	DIFFUSER ASSEMBLY D. 900	
11	* CE04260418	UNION 1"		17	* CE04301004	DIFFUSER CONE D. 50	



PARTS BREAKDOWN

REV.: 2
DATE: 07/11/2017
SHEET: 2/3

770

CODE **10080BS0, 10081BS0, 10082BS0, 10083BS0**

DESCRIPTION: **SATURN FILTER**

12	* CE04260419	MANIFOLD ARM 1" 100 M "	17	* CE04300910	DIFFUSER CONE D. 63
13	* CE04010026	MANIFOLD ARM ASSEMBLY			

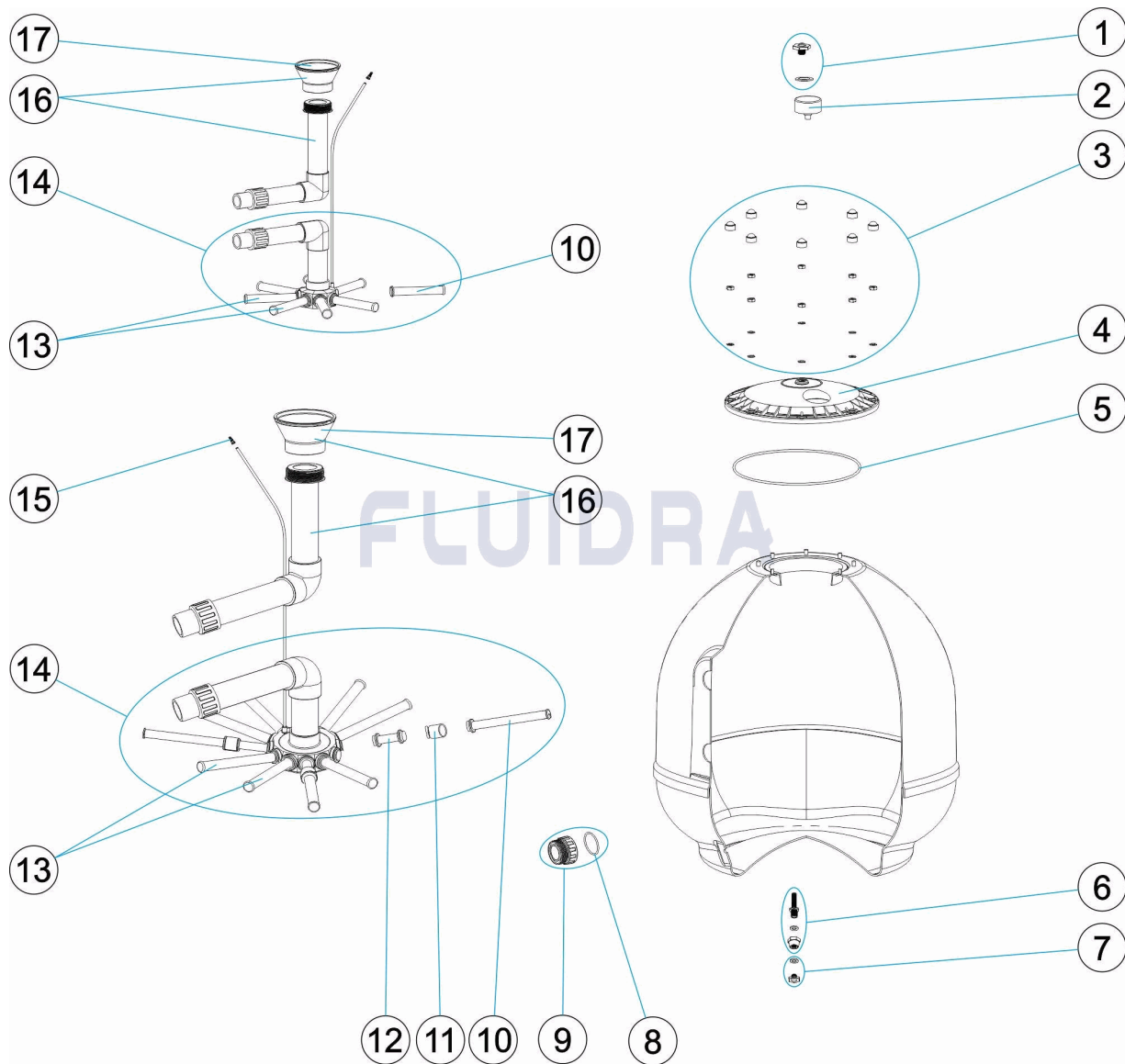
CODE **10080BS0, 10081BS0, 10082BS0, 10083BS0**

DESCRIPTION: **SATURN FILTER**

OBSERVATIONS

POS	CODE	OBSERVATIONS
9	*CE04230107	FOR: 10080BS0, 10081BS0
9	*CE04302131	FOR: 10082BS0, 10083BS0
10	*CE04300915	FOR: 10080BS0 [4UT], 10082BS0 [6UT]
10	*CE04300916	FOR: 10081BS0 [4UT], 10083BS0 [6UT]
11	*CE04260418	FOR: 10082BS0 [3UT], 10083BS0 [3UT]
12	*CE04260419	FOR: 10082BS0 [3UT], 10083BS0 [3UT]
13	*CE04010026	FOR: 10080BS0
13	*CE04010027	FOR: 10081BS0
13	*CE04010129	FOR: 10082BS0
13	*CE04260401	FOR: 10083BS0
14	*CE04040082	FOR: 10080BS0
14	*CE04040083	FOR: 10081BS0
14	*CE04040084	FOR: 10082BS0
14	*CE04040085	FOR: 10083BS0
16	*CE04040086	FOR: 10080BS0
16	*CE04040087	FOR: 10081BS0
16	*CE04040088	FOR: 10082BS0
16	*CE04040089	FOR: 10083BS0
17	*CE04301004	FOR: 10080BS0, 10081BS0
17	*CE04300910	FOR: 10082BS0, 10083BS0

CODICE **10080BS0, 10081BS0, 10082BS0, 10083BS0**

 DESCRIZIONE: **FILTRO SATURN**

ITALIANO

POS	CODICE	DESCRIZIONE	QUANTITA'	POS	CODICE	DESCRIZIONE	QUANTITA'
1	CE04290101	TAPPO 1" 1/4 SCARICO ANONIM "		13	* CE04010027	GRUPPO CANDELOTTO COLLECTORE D. 6	
2	CE04180405	MANOMETRO 1/8" 3 KG./C "		13	* CE04010129	GRUPPO CANDELOTTO COLLECTORE D. 9	
3	CE04010007	BULLONERIA COPERCHIO FILTRO		13	* CE04260401	GRUPPO CANDELOTTO COLLECTORE D. 9	
4	CE04190000	COPERCHIO FILTRO BIANCO		14	* CE04040082	KIT COLLETTORE D. 500	
5	CE04070101	GUARNIZIONE COPERCHIO		14	* CE04040083	KIT COLLETTORE D. 600	
6	CE04210101	SPURGO		14	* CE04040084	KIT COLLETTORE D. 750	
7	CE04040113	TAPPO SPURGO E GUARNIZIONE		14	* CE04040085	KIT COLLETTORE D. 900	
8	CE04040115	O-RING D 60X8		15	CE04040108	SFIATO ARIA	
9	* CE04230107	RACCORDO 1 1/2" + GUAR.		16	* CE04040086	RACCORDO DIFFUSORE D. 500	
9	* CE04302131	RACCORDO 2" + GUARNIZION "		16	* CE04040087	RACCORDO DIFFUSORE D. 750	
10	* CE04300915	CANDELOTTO COLLECTORE 1" 175 M "		16	* CE04040088	RACCORDO DIFFUSORE D. 900	
10	* CE04300916	CANDELOTTO COLLECTORE 1" 225 M "		16	* CE04040089	RACCORDO DIFFUSORE D. 900	
11	* CE04260418	MANICOTTO DA 1" PER CANDELOTT "		17	* CE04301004	CONO DIFFUSORE D. 50	

* SI FACCIA RIFERIMENTO AL FOGLIO DELLE OSSERVAZIONI

CODICE **10080BS0, 10081BS0, 10082BS0, 10083BS0**DESCRIZIONE: **FILTRO SATURN**

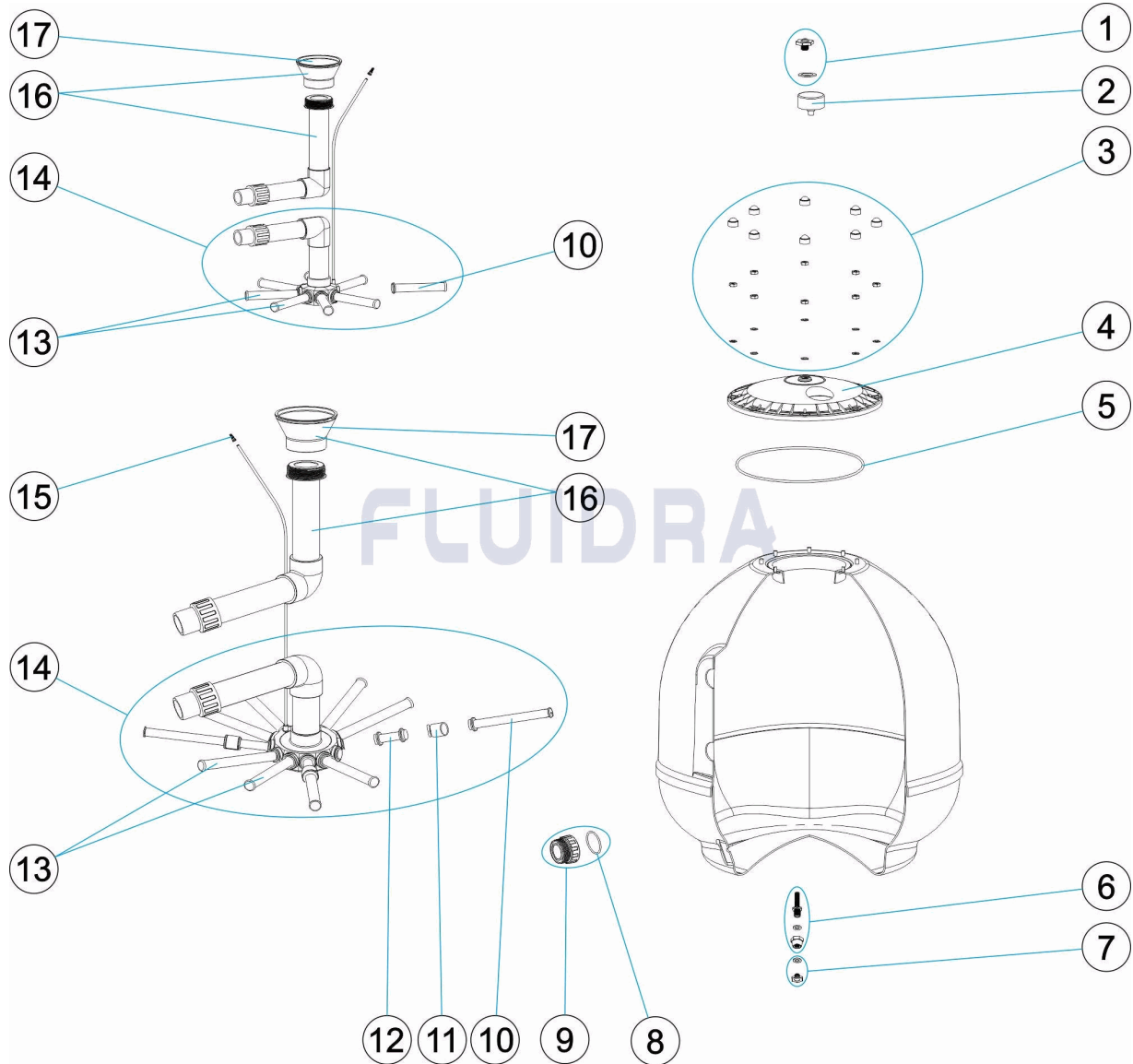
12	* CE04260419	CANDELOTTO COLLECTORE 1" 100M "	17	* CE04300910	CONO DIFFUSORE D. 63
13	* CE04010026	GRUPPO CANDELOTTO COLLECTORE			

CODICE **10080BS0, 10081BS0, 10082BS0, 10083BS0**DESCRIZIONE: **FILTRO SATURN**

OSSERVAZIONI

POS	CODICE	OSSERVAZIONI
9	*CE04230107	PER: 10080BS0, 10081BS0
9	*CE04302131	PER: 10082BS0, 10083BS0
10	*CE04300915	PER: 10080BS0 [4UT], 10082BS0 [6UT]
10	*CE04300916	PER: 10081BS0 [4UT], 10083BS0 [6UT]
11	*CE04260418	PER: 10082BS0 [3UT], 10083BS0 [3UT]
12	*CE04260419	PER: 10082BS0 [3UT], 10083BS0 [3UT]
13	*CE04010026	PER: 10080BS0
13	*CE04010027	PER: 10081BS0
13	*CE04010129	PER: 10082BS0
13	*CE04260401	PER: 10083BS0
14	*CE04040082	PER: 10080BS0
14	*CE04040083	PER: 10081BS0
14	*CE04040084	PER: 10082BS0
14	*CE04040085	PER: 10083BS0
16	*CE04040086	PER: 10080BS0
16	*CE04040087	PER: 10081BS0
16	*CE04040088	PER: 10082BS0
16	*CE04040089	PER: 10083BS0
17	*CE04301004	PER: 10080BS0, 10081BS0
17	*CE04300910	PER: 10082BS0, 10083BS0

CODE **10080BS0, 10081BS0, 10082BS0, 10083BS0**

 BESCHREIBUNG: **FILTER SATURN**

DEUTSCH

POS	CODE	BESCHREIBUNG	MENGE	POS	CODE	BESCHREIBUNG	MENGE
1	CE04290101	ABLASSSTOPFEN 1/4" ANONY "		13	* CE04010027	SET FILTERSTERN-SCHLITZROHR D. 650	
2	CE04180405	MANOMETER 1/8" 3 KG/C "		13	* CE04010129	SET FILTERSTERN-SCHLITZROHR D. 900	
3	CE04010007	SCHRAUBENSATZ FILTERDECKEL		13	* CE04260401	SET FILTERSTERN-SCHLITZROHR D. 950 -	
4	CE04190000	FILTERDECKEL WEISS		14	* CE04040082	SAMMELROHRSET D. 500	
5	CE04070101	DICHTUNG ABDECKUNG		14	* CE04040083	SAMMELROHRSET D. 600	
6	CE04210101	ABLASS		14	* CE04040084	SAMMELROHRSET D. 750	
7	CE04040113	ABLASSSTOPFEN UND DICHTUNG		14	* CE04040085	SAMMELROHRSET D. 900	
8	CE04040115	O-RING D. 60 X 8		15	CE04040108	ENTLÜFTUNG	
9	* CE04230107	GEWINDESTÜCK 1 1/2" UND O-RIN "		16	* CE04040086	SET WASSERVERTEILER D. 500	
9	* CE04302131	GEWINDESTÜCK 2" UND DICHTUN "		16	* CE04040087	SET WASSERVERTEILER D. 750	
10	* CE04300915	FILTERSTERN-SCHLITZROHR 1" 175 M "		16	* CE04040088	SET WASSERVERTEILER D. 900	
10	* CE04300916	FILTERSTERN-SCHLITZROHR 1" 225 M "		16	* CE04040089	SET WASSERVERTEILER D. 900	
11	* CE04260418	NIPPEL ANSCHLUSSVERBINDUNG 1"		17	* CE04301004	KEGEL WASSERVERTEILER D. 50	

* SIEHE ANMERKUGSBLATT

CODE **10080BS0, 10081BS0, 10082BS0, 10083BS0**

BESCHREIBUNG: **FILTER SATURN**

12	* CE04260419	FILTERSTERN-SCHLITZROHR 1" 100 M "	17	* CE04300910	KEGEL WASSERVERTEILER D. 63
13	* CE04010026	SET FILTERSTERN-SCHLITZROHR			

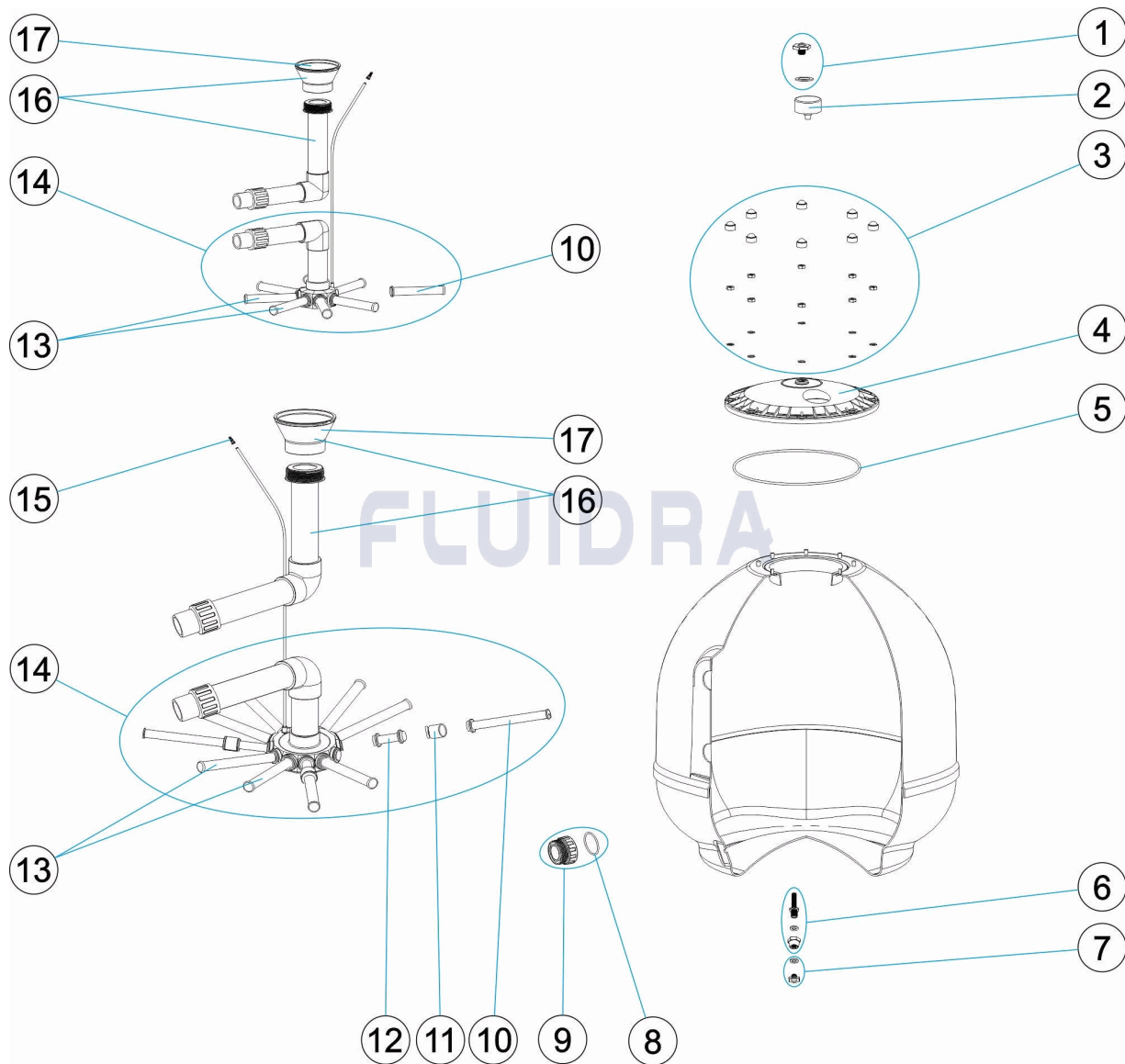
CODE **10080BS0, 10081BS0, 10082BS0, 10083BS0**

BESCHREIBUNG: **FILTER SATURN**

HINWEISE

POS	CODE	HINWEISE
9	*CE04230107	FÜR: 10080BS0, 10081BS0
9	*CE04302131	FÜR: 10082BS0, 10083BS0
10	*CE04300915	FÜR: 10080BS0 [4UT], 10082BS0 [6UT]
10	*CE04300916	FÜR: 10081BS0 [4UT], 10083BS0 [6UT]
11	*CE04260418	FÜR: 10082BS0 [3UT], 10083BS0 [3UT]
12	*CE04260419	FÜR: 10082BS0 [3UT], 10083BS0 [3UT]
13	*CE04010026	FÜR: 10080BS0
13	*CE04010027	FÜR: 10081BS0
13	*CE04010129	FÜR: 10082BS0
13	*CE04260401	FÜR: 10083BS0
14	*CE04040082	FÜR: 10080BS0
14	*CE04040083	FÜR: 10081BS0
14	*CE04040084	FÜR: 10082BS0
14	*CE04040085	FÜR: 10083BS0
16	*CE04040086	FÜR: 10080BS0
16	*CE04040087	FÜR: 10081BS0
16	*CE04040088	FÜR: 10082BS0
16	*CE04040089	FÜR: 10083BS0
17	*CE04301004	FÜR: 10080BS0, 10081BS0
17	*CE04300910	FÜR: 10082BS0, 10083BS0

CODIGO **10080BS0, 10081BS0, 10082BS0, 10083BS0**

 DESCRIÇÃO: **FILTRO SATURN**

PORTUGUES

POS	CODIGO	DESCRIÇÃO	JANTIDADE	POS	CODIGO	DESCRIÇÃO	JANTIDADE
1	CE04290101	TAMPAO PURGA 1/4" ANONIM "		13	* CE04010027	CJTO. BRAÇO COLECTOR D.650	
2	CE04180405	MANOMETRO 1/8" 3 KG./C "		13	* CE04010129	CJTO. BRAÇO COLECTOR D. 900	
3	CE04010007	PARAFUSOS TAMPA FILTRO		13	* CE04260401	CJTO. BRAÇO COLECTOR D.950-1050	
4	CE04190000	TAMPA FILTRO BRANCO		14	* CE04040082	CONJ. COLECTOR D. 500	
5	CE04070101	JUNTA TAMPA		14	* CE04040083	CONJ. COLECTOR D. 600	
6	CE04210101	PURGA		14	* CE04040084	CONJ. COLECTOR D. 750	
7	CE04040113	TAMPÃO PURGA E JUNTA		14	* CE04040085	CONJ. COLECTOR D. 900	
8	CE04040115	JUNTA TÓRICA D 60X8		15	CE04040108	PURGA AREIA	
9	* CE04230107	RACORD 1 1/2' + JUNTA		16	* CE04040086	CJTO. DIFUSOR D. 500	
9	* CE04302131	ACOPLADOR 2" E JUNT "		16	* CE04040087	CJTO. DIFUSOR D. 750	
10	* CE04300915	BRAÇO COLECTOR 1" 175 M "		16	* CE04040088	CJTO. DIFUSOR D. 900	
10	* CE04300916	BRAÇO COLECTOR 1" 225 M "		16	* CE04040089	CJTO. DIFUSOR D. 900	
11	* CE04260418	RACCORD UNIÃO 1"		17	* CE04301004	CONO DIFUSOR D. 50	

CODIGO **10080BS0, 10081BS0, 10082BS0, 10083BS0**DESCRIÇÃO: **FILTRO SATURN**

12	* CE04260419	BRAÇO COLECTOR 1" 100M "	17	* CE04300910	CONO DIFUSOR D. 63
13	* CE04010026	CJTO. BRAÇO COLECTOR			

CODIGO **10080BS0, 10081BS0, 10082BS0, 10083BS0**DESCRIÇÃO: **FILTRO SATURN****OBSERVAÇÕES**

POS	CODIGO	OBSERVAÇÕES
9	*CE04230107	PARA: 10080BS0, 10081BS0
9	*CE04302131	PARA: 10082BS0, 10083BS0
10	*CE04300915	PARA: 10080BS0 [4UT], 10082BS0 [6UT]
10	*CE04300916	PARA: 10081BS0 [4UT], 10083BS0 [6UT]
11	*CE04260418	PARA: 10082BS0 [3UT], 10083BS0 [3UT]
12	*CE04260419	PARA: 10082BS0 [3UT], 10083BS0 [3UT]
13	*CE04010026	PARA: 10080BS0
13	*CE04010027	PARA: 10081BS0
13	*CE04010129	PARA: 10082BS0
13	*CE04260401	PARA: 10083BS0
14	*CE04040082	PARA: 10080BS0
14	*CE04040083	PARA: 10081BS0
14	*CE04040084	PARA: 10082BS0
14	*CE04040085	PARA: 10083BS0
16	*CE04040086	PARA: 10080BS0
16	*CE04040087	PARA: 10081BS0
16	*CE04040088	PARA: 10082BS0
16	*CE04040089	PARA: 10083BS0
17	*CE04301004	PARA: 10080BS0, 10081BS0
17	*CE04300910	PARA: 10082BS0, 10083BS0