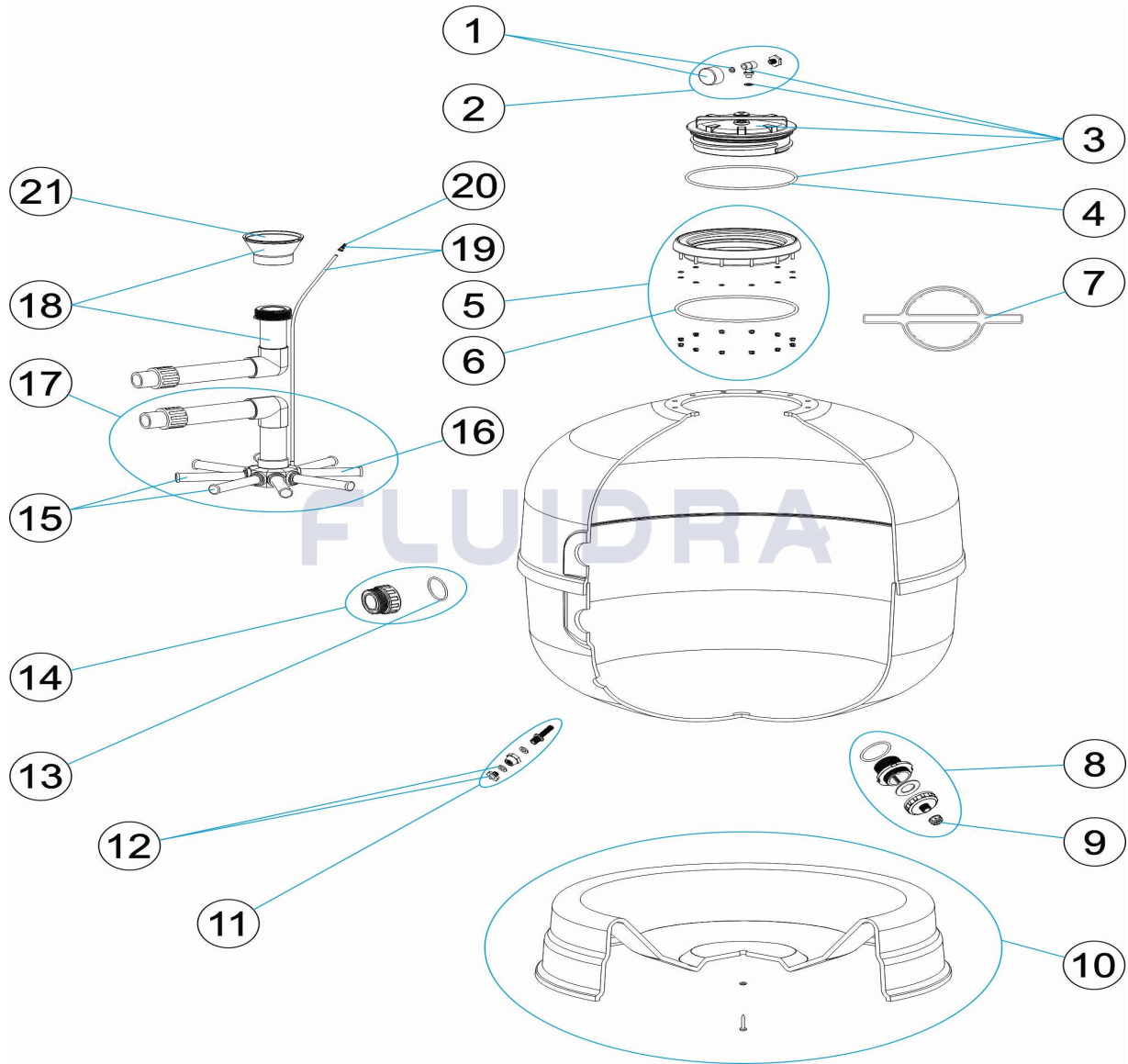


CODIGO **10010WSA0T, 10011WSA0T, 10012WSA0T, 10013WSA0T, 10015WSA0T**

 DESCRIPCION: **FILTRO JUPITER TAPA ROSCADA**

**ESPAÑOL**

| POS | CODIGO       | DESCRIPCION                | CANTIDAD | POS | CODIGO       | DESCRIPCION                   | CANTIDAD |
|-----|--------------|----------------------------|----------|-----|--------------|-------------------------------|----------|
| 1   | CE04180405   | MANOMETRO 1/8" 3 KG/C "    |          | 13  | CE04040115   | JUNTA TORICA D. 60X8          |          |
| 2   | CE04180404   | MANOMETRO COMPLETO         |          | 14  | * CE04230107 | RACORD 1 1/2" + JUNTA TORIC " |          |
| 3   | CE04020030   | TAPA ROSCADA + JUNTA       |          | 14  | * CE04302131 | RACORD 2" + JUNT "            |          |
| 4   | CE04260202   | JUNTA TAPA                 |          | 15  | * CE04010025 | CJTO. BRAZOS COLECTOR D. 400  |          |
| 5   | CE04260205   | ARO TAPA COMPLETO          |          | 15  | * CE04010026 | CJTO. BRAZOS COLECTOR         |          |
| 6   | CE04020116   | JUNTA TORICA 255X4         |          | 15  | * CE04010048 | CJTO. BRAZOS COLECTOR D. 750  |          |
| 7   | CE04190004   | LLAVE TAPA FILTRO ESPECIAL |          | 16  | * CE04300917 | BRAZO COLECTOR 1" 110 M "     |          |
| 8   | * CE04040010 | DESCARGA ARENA-AGUA        |          | 16  | * CE04300915 | BRAZO COLECTOR 1" 175 M "     |          |
| 9   | * CE04040012 | VALVULA DE SEGURIDAD       |          | 16  | * CE04290109 | BRAZO COLECTOR 1" 265 M "     |          |
| 10  | * CE04010344 | PIE FILTRO D 400           |          | 17  | * CE04260015 | CONJ. COLECTOR D. 450         |          |
| 10  | * CE04010346 | PIE FILTRO 14              |          | 17  | * CE04010305 | CJTO. COLECTOR 14             |          |
| 10  | * CE04010298 | PIE FILTRO 18-22           |          | 17  | * CE04010306 | CJTO. COLECTOR 18             |          |
| 10  | * CE04010345 | PIE FILTRO D. 750          |          | 17  | * CE04010307 | CJTO. COLECTOR 22             |          |

\* NOTA OBSERVACIONES

CODIGO **10010WSA0T, 10011WSA0T, 10012WSA0T, 10013WSA0T, 10015WSA0T**DESCRIPCION: **FILTRO JUPITER TAPA ROSCADA**

|    |              |                         |    |              |                      |
|----|--------------|-------------------------|----|--------------|----------------------|
| 11 | * CE04010108 | PURGA AGUA 3/8"         | 17 | * CE04010308 | CJTO. COLECTOR 33    |
| 12 | * CE04040113 | TAPON PURGA Y JUNTA     | 18 | * CE04260009 | CONJ. DIFUSOR D. 450 |
| 18 | * CE04010119 | CJTO. DIFUSOR D. 600    | 19 | * CE04300707 | TUBO RIGIDO L-845    |
| 18 | * CE04010303 | CJTO. DIFUSOR 18        | 20 | CE04040108   | PURGA AIRE           |
| 18 | * CE04010120 | CJTO. DIFUSOR D. 750    | 21 | * CE04301004 | CONO DIFUSOR D.50    |
| 18 | * CE04010304 | CJTO. DIFUSOR 33        | 21 | * CE04300910 | CONO DIFUSOR D. 63   |
| 19 | * CE04301003 | PURGA AIRE + TUBO L=670 |    |              |                      |

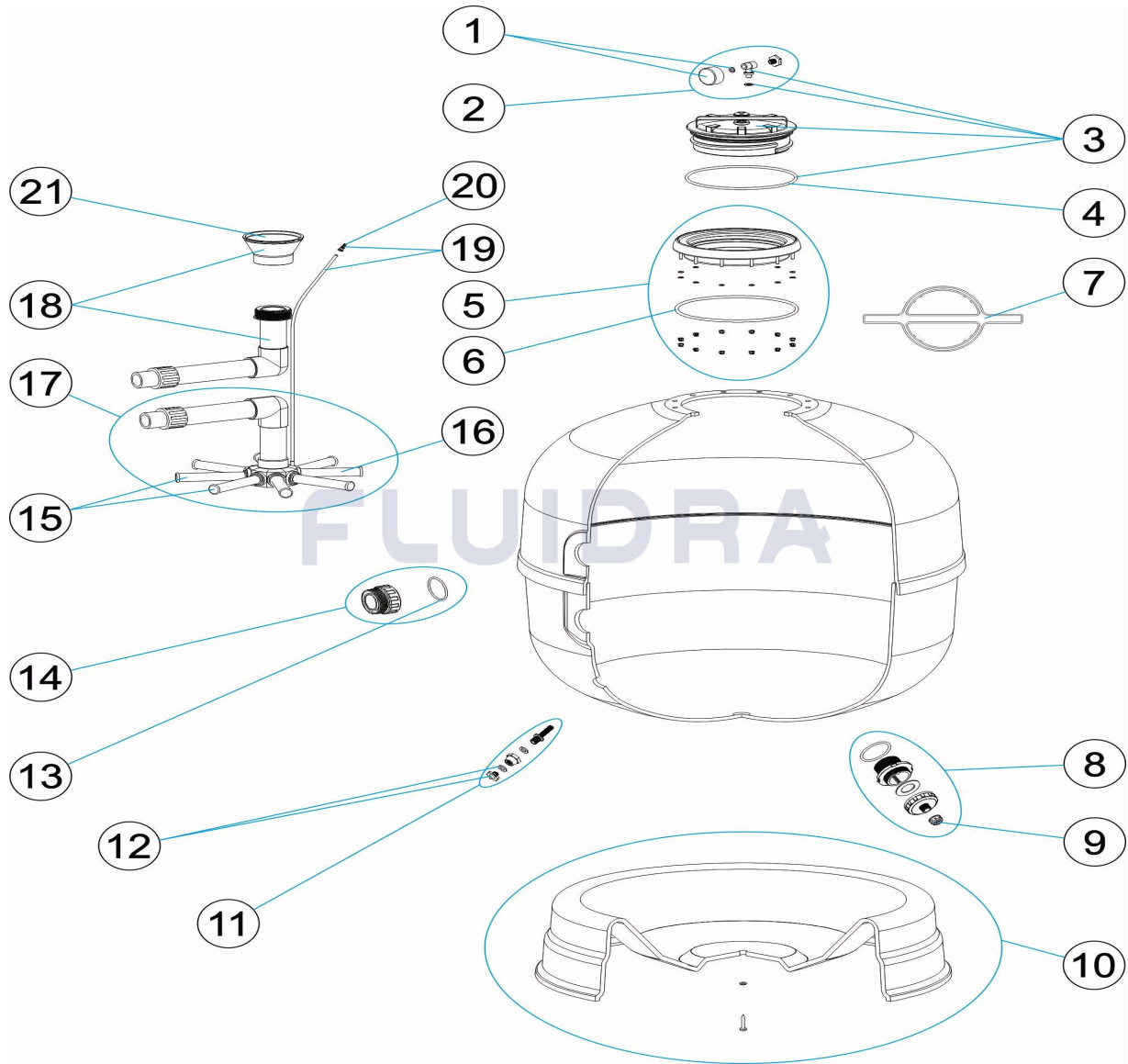
**CODIGO 10010WSA0T, 10011WSA0T, 10012WSA0T, 10013WSA0T, 10015WSA0T**

**DESCRIPCION: FILTRO JUPITER TAPA ROSCADA**

## OBSERVACIONES

| POS | CODIGO      | OBSERVACIONES  |
|-----|-------------|--|
| 8   | *CE04040010 | PARA: 10012WSA0T, 10013WSA0T                         |
| 9   | *CE04040012 | PARA: 10012WSA0T, 10013WSA0T                         |
| 10  | *CE04010344 | PARA: 10010WSA0T                                     |
| 10  | *CE04010346 | PARA: 10011WSA0T                                     |
| 10  | *CE04010298 | PARA: 10012WSA0T, 10015WSA0T                         |
| 10  | *CE04010345 | PARA: 10013WSA0T                                     |
| 11  | *CE04010108 | PARA: 10010WSA0T, 10011WSA0T, 10015WSA0T             |
| 12  | *CE04040113 | PARA: 10010WSA0T, 10011WSA0T, 10015WSA0T             |
| 14  | *CE04230107 | PARA: 10010WSA0T, 10011WSA0T                         |
| 14  | *CE04302131 | PARA: 10012WSA0T, 10013WSA0T, 10015WSA0T             |
| 15  | *CE04010025 | PARA: 10010WSA0T, 10011WSA0T                         |
| 15  | *CE04010026 | PARA: 10012WSA0T, 10015WSA0T                         |
| 15  | *CE04010048 | PARA: 10013WSA0T                                     |
| 16  | *CE04300917 | PARA: 10010WSA0T [4UNIDADES], 10011WSA0T [4UNIDADES] |
| 16  | *CE04300915 | PARA: 10012WSA0T [4UNIDADES], 10015WSA0T [4UNIDADES] |
| 16  | *CE04290109 | PARA: 10013WSA0T [6UNIDADES]                         |
| 17  | *CE04260015 | PARA: 10010WSA0T                                     |
| 17  | *CE04010305 | PARA: 10011WSA0T                                     |
| 17  | *CE04010306 | PARA: 10015WSA0T                                     |
| 17  | *CE04010307 | PARA: 10012WSA0T                                     |
| 17  | *CE04010308 | PARA: 10013WSA0T                                     |
| 18  | *CE04260009 | PARA: 10010WSA0T                                     |
| 18  | *CE04010119 | PARA: 10011WSA0T                                     |
| 18  | *CE04010303 | PARA: 10015WSA0T                                     |
| 18  | *CE04010120 | PARA: 10012WSA0T                                     |
| 18  | *CE04010304 | PARA: 10013WSA0T                                     |
| 19  | *CE04301003 | PARA: 10010WSA0T, 10011WSA0T, 10015WSA0T             |
| 19  | *CE04300707 | PARA: 10012WSA0T, 10013WSA0T                         |
| 21  | *CE04301004 | PARA: 10010WSA0T, 10011WSA0T                         |
| 21  | *CE04300910 | PARA: 10012WSA0T, 10013WSA0T, 10015WSA0T             |

CODE **10010WSA0T, 10011WSA0T, 10012WSA0T, 10013WSA0T, 10015WSA0T**

 DESCRIPTION: **FILTRE JUPITER COUVERCLE VISSÉ**

**FRANCAIS**

| POS | CODE         | DESCRIPTION                 | QUANTITE | POS | CODE         | DESCRIPTION                         | QUANTITE |
|-----|--------------|-----------------------------|----------|-----|--------------|-------------------------------------|----------|
| 1   | CE04180405   | MANOMETRE 1/8" 3 KG./C "    |          | 13  | CE04040115   | JOINT TORIQUE D 60X8                |          |
| 2   | CE04180404   | MANOMETRE COMPLET           |          | 14  | * CE04230107 | RACCORD 1 1/2" + JOINT              |          |
| 3   | CE04020030   | ECROU DE COUVERCLE + JOINT  |          | 14  | * CE04302131 | RACCORD 2" + JOIN "                 |          |
| 4   | CE04260202   | JOINT DE COUVERCLE          |          | 15  | * CE04010025 | ENSEMBLE BRAS DE REPARTITEUR D. 400 |          |
| 5   | CE04260205   | BRIDE DE COUVERCLE COMPLETE |          | 15  | * CE04010026 | ENSEMBLE BRAS DE REPARTITEUR        |          |
| 6   | CE04020116   | JOINT TORIQUE 255X4         |          | 15  | * CE04010048 | ENSEMBLE BRAS DE REPARTITEUR D. 750 |          |
| 7   | CE04190004   | CLE COUVERCLE               |          | 16  | * CE04300917 | BRAS DE REPARTITEUR 1" 110 M "      |          |
| 8   | * CE04040010 | DÉCHARGE DE SABLE - EAU     |          | 16  | * CE04300915 | BRAS DE REPARTITEUR 1" 175 M "      |          |
| 9   | * CE04040012 | VANNE DE SÉCURITÉ           |          | 16  | * CE04290109 | BRAS DE REPARTITEUR 1" 265 M/M "    |          |
| 10  | * CE04010344 | SOCLE FILTRE D 400          |          | 17  | * CE04260015 | ENSEMBLE COLLECTEUR D. 450          |          |
| 10  | * CE04010346 | SOCLE FILTRE 14             |          | 17  | * CE04010305 | ENSEMBLE COLLECTEUR 14              |          |
| 10  | * CE04010298 | SOCLE FILTRE 18-22          |          | 17  | * CE04010306 | ENSEMBLE COLLECTEUR 18              |          |
| 10  | * CE04010345 | SOCLE FILTRE D. 750         |          | 17  | * CE04010307 | ENSEMBLE COLLECTEUR 22              |          |

\* VOIR FICHE D'OBSERVATIONS

CODE **10010WSA0T, 10011WSA0T, 10012WSA0T, 10013WSA0T, 10015WSA0T**DESCRIPTION: **FILTRE JUPITER COUVERCLE VISSÉ**

|    |              |                           |    |              |                                |
|----|--------------|---------------------------|----|--------------|--------------------------------|
| 11 | * CE04010108 | PURGE D'EAU 3/8"          | 17 | * CE04010308 | ENSEMBLE COLLECTEUR 33         |
| 12 | * CE04040113 | BOUCHON PURGE ET JOINT    | 18 | * CE04260009 | ENSEMBLE DIFFUSEUR D. 450      |
| 18 | * CE04010119 | ENSEMBLE DIFFUSEUR D. 600 | 19 | * CE04300707 | TUBE RIGIDE L-845              |
| 18 | * CE04010303 | ENSEMBLE DIFFUSEUR 18     | 20 | CE04040108   | PURGE D'AIR                    |
| 18 | * CE04010120 | ENSEMBLE DIFFUSEUR D. 750 | 21 | * CE04301004 | DIFUSOR CONIQUE SUPÉRIOR D. 50 |
| 18 | * CE04010304 | ENSEMBLE DIFFUSEUR 33     | 21 | * CE04300910 | DIFUSOR CONIQUE SUPÉRIOR D. 63 |
| 19 | * CE04301003 | PURGE AIR + TUBE L=670    |    |              |                                |

CODE **10010WSA0T, 10011WSA0T, 10012WSA0T, 10013WSA0T, 10015WSA0T**

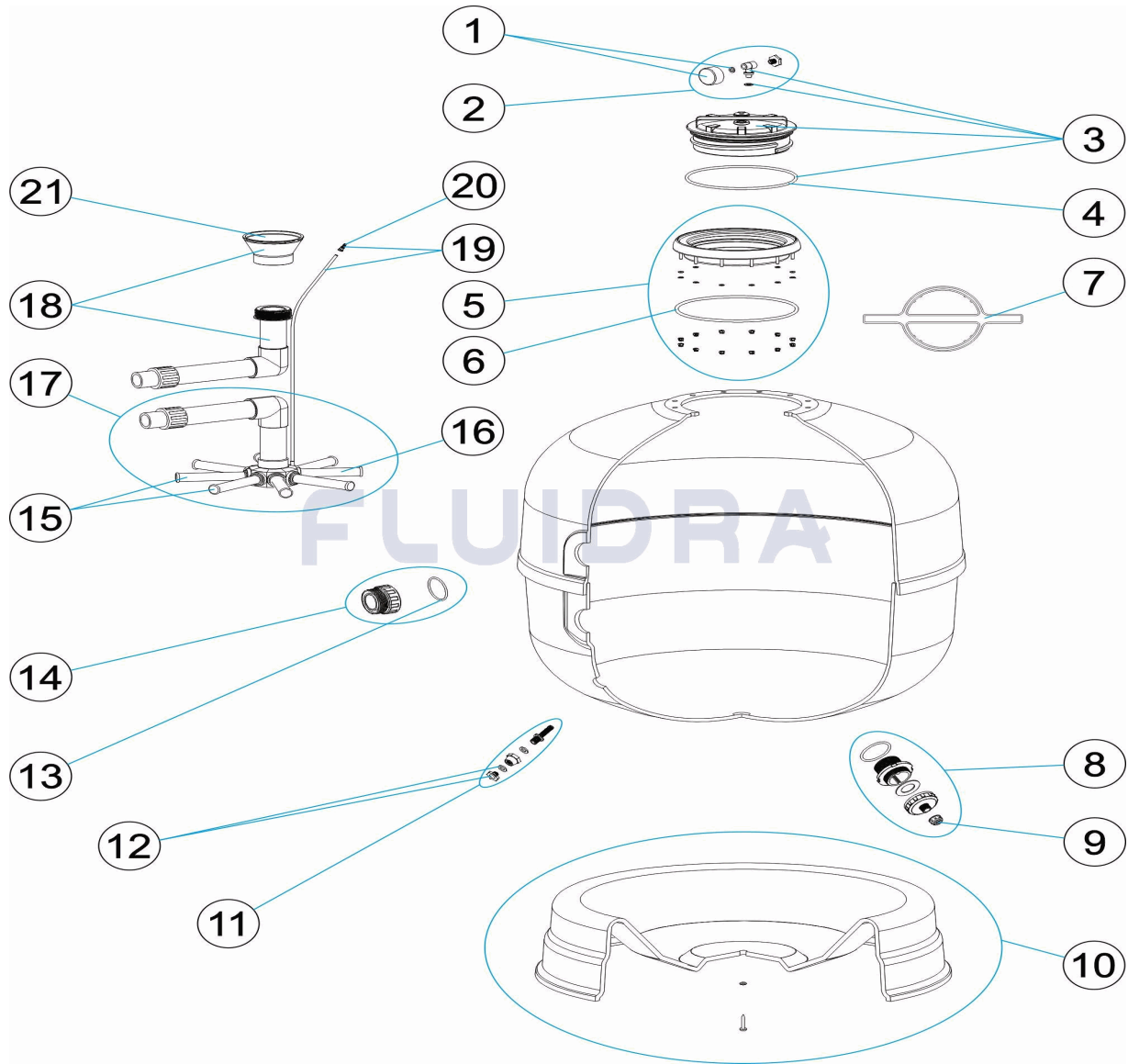
DESCRIPTION: **FILTRE JUPITER COUVERCLE VISSÉ**

## OBSERVATIONS

| POS | CODE        | OBSERVATIONS                             |
|-----|-------------|--|
| 8   | *CE04040010 | POUR: 10012WSA0T, 10013WSA0T             |
| 9   | *CE04040012 | POUR: 10012WSA0T, 10013WSA0T             |
| 10  | *CE04010344 | POUR: 10010WSA0T                         |
| 10  | *CE04010346 | POUR: 10011WSA0T                         |
| 10  | *CE04010298 | POUR: 10012WSA0T, 10015WSA0T             |
| 10  | *CE04010345 | POUR: 10013WSA0T                         |
| 11  | *CE04010108 | POUR: 10010WSA0T, 10011WSA0T, 10015WSA0T |
| 12  | *CE04040113 | POUR: 10010WSA0T, 10011WSA0T, 10015WSA0T |
| 14  | *CE04230107 | POUR: 10010WSA0T, 10011WSA0T             |
| 14  | *CE04302131 | POUR: 10012WSA0T, 10013WSA0T, 10015WSA0T |
| 15  | *CE04010025 | POUR: 10010WSA0T, 10011WSA0T             |
| 15  | *CE04010026 | POUR: 10012WSA0T, 10015WSA0T             |
| 15  | *CE04010048 | POUR: 10013WSA0T                         |
| 16  | *CE04300917 | POUR: 10010WSA0T [4UT], 10011WSA0T [4UT] |
| 16  | *CE04300915 | POUR: 10012WSA0T [4UT], 10015WSA0T [4UT] |
| 16  | *CE04290109 | POUR: 10013WSA0T [6UT]                   |
| 17  | *CE04260015 | POUR: 10010WSA0T                         |
| 17  | *CE04010305 | POUR: 10011WSA0T                         |
| 17  | *CE04010306 | POUR: 10015WSA0T                         |
| 17  | *CE04010307 | POUR: 10012WSA0T                         |
| 17  | *CE04010308 | POUR: 10013WSA0T                         |
| 18  | *CE04260009 | POUR: 10010WSA0T                         |
| 18  | *CE04010119 | POUR: 10011WSA0T                         |
| 18  | *CE04010303 | POUR: 10015WSA0T                         |
| 18  | *CE04010120 | POUR: 10012WSA0T                         |
| 18  | *CE04010304 | POUR: 10013WSA0T                         |
| 19  | *CE04301003 | POUR: 10010WSA0T, 10011WSA0T, 10015WSA0T |
| 19  | *CE04300707 | POUR: 10012WSA0T, 10013WSA0T             |
| 21  | *CE04301004 | POUR: 10010WSA0T, 10011WSA0T             |
| 21  | *CE04300910 | POUR: 10012WSA0T, 10013WSA0T, 10015WSA0T |

CODE 10010WSA0T, 10011WSA0T, 10012WSA0T, 10013WSA0T, 10015WSA0T

DESCRIPTION: THREADED-COVER JUPITER FILTER



**ENGLISH**

| POS | CODE         | DESCRIPTION                   | QUANTITY | POS | CODE         | DESCRIPTION                  | QUANTITY |
|-----|--------------|-------------------------------|----------|-----|--------------|------------------------------|----------|
| 1   | CE04180405   | PRESSURE GAUGE 1/8" 3 KG./C " |          | 13  | CE04040115   | O' RING D. 60X8              |          |
| 2   | CE04180404   | COMPLETE PRESSURE GAUGE UNIT  |          | 14  | * CE04230107 | 1 1/2" FITTING + GASKET      |          |
| 3   | CE04020030   | THREADED COLLAR + GASKET      |          | 14  | * CE04302131 | FITTING 2" + GASKE "         |          |
| 4   | CE04260202   | LID GASKET                    |          | 15  | * CE04010025 | MANIFOLD ARM ASSEMBLY D. 400 |          |
| 5   | CE04260205   | LID RING UNIT                 |          | 15  | * CE04010026 | MANIFOLD ARM ASSEMBLY        |          |
| 6   | CE04020116   | O' RING 255X4                 |          | 15  | * CE04010048 | MANIFOLD ARM ASSEMBLY D. 750 |          |
| 7   | CE04190004   | LID KEY                       |          | 16  | * CE04300917 | MANIFOLD ARM 1" 110 M "      |          |
| 8   | * CE04040010 | SAND - WATER UNLOAD           |          | 16  | * CE04300915 | MANIFOLD ARM 1" 175 M "      |          |
| 9   | * CE04040012 | SAFETY VALVE                  |          | 16  | * CE04290109 | COLLECTOR ARM 1" 265 M "     |          |
| 10  | * CE04010344 | FILTER BASE D. 400            |          | 17  | * CE04260015 | MANIFOLD ASSEMBLY D. 450     |          |
| 10  | * CE04010346 | FILTER BASE 14                |          | 17  | * CE04010305 | MANIFOLD ASSEMBLY 14         |          |
| 10  | * CE04010298 | FILTER BASE 18-22             |          | 17  | * CE04010306 | MANIFOLD ASSEMBLY 18         |          |
| 10  | * CE04010345 | FILTER BASE D. 750            |          | 17  | * CE04010307 | MANIFOLD ASSEMBLY 22         |          |

CODE **10010WSA0T, 10011WSA0T, 10012WSA0T, 10013WSA0T, 10015WSA0T**DESCRIPTION: **THREADED-COVER JUPITER FILTER**

|    |              |                          |    |              |                          |
|----|--------------|--------------------------|----|--------------|--------------------------|
| 11 | * CE04010108 | WATER PURGE 3/8"         | 17 | * CE04010308 | MANIFOLD ASSEMBLY 33     |
| 12 | * CE04040113 | DRAIN PLUG AND GASKET    | 18 | * CE04260009 | DIFFUSER ASSEMBLY D. 450 |
| 18 | * CE04010119 | DIFFUSER ASSEMBLY D. 600 | 19 | * CE04300707 | RIGID PIPE L-845         |
| 18 | * CE04010303 | DIFFUSER ASSEMBLY 18     | 20 | CE04040108   | AIR PURGE                |
| 18 | * CE04010120 | DIFFUSER ASSEMBLY D. 750 | 21 | * CE04301004 | DIFFUSER CONE D. 50      |
| 18 | * CE04010304 | DIFFUSER ASSEMBLY 33     | 21 | * CE04300910 | DIFFUSER CONE D. 63      |
| 19 | * CE04301003 | AIR PURGE + PIPE L=670   |    |              |                          |



CODE                    **10010WSA0T, 10011WSA0T, 10012WSA0T, 10013WSA0T, 10015WSA0T**

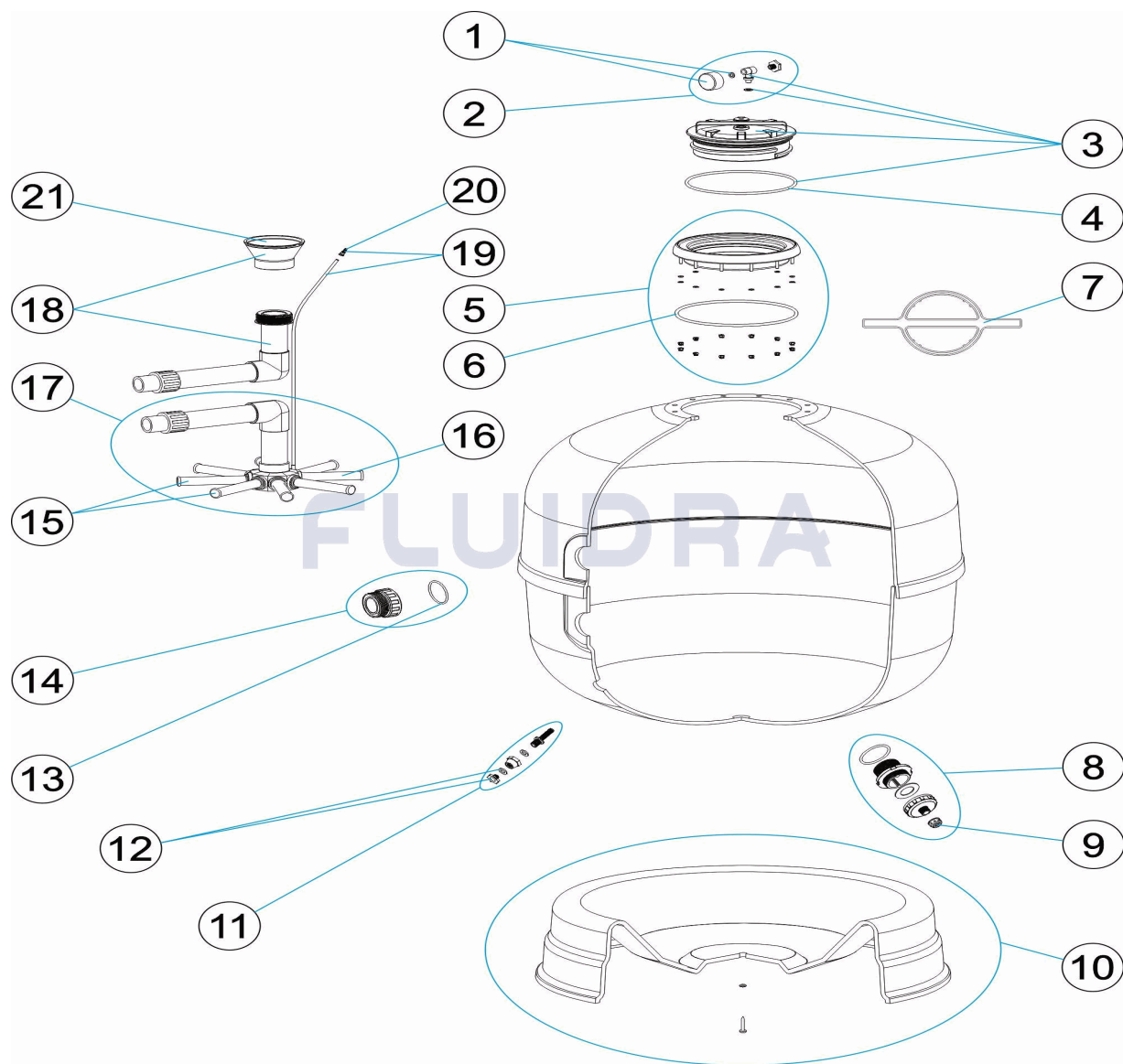
DESCRIPTION: **THREADED-COVER JUPITER FILTER**

## OBSERVATIONS

| POS | CODE        | OBSERVATIONS                            |
|-----|-------------|---|
| 8   | *CE04040010 | FOR: 10012WSA0T, 10013WSA0T             |
| 9   | *CE04040012 | FOR: 10012WSA0T, 10013WSA0T             |
| 10  | *CE04010344 | FOR: 10010WSA0T                         |
| 10  | *CE04010346 | FOR: 10011WSA0T                         |
| 10  | *CE04010298 | FOR: 10012WSA0T, 10015WSA0T             |
| 10  | *CE04010345 | FOR: 10013WSA0T                         |
| 11  | *CE04010108 | FOR: 10010WSA0T, 10011WSA0T, 10015WSA0T |
| 12  | *CE04040113 | FOR: 10010WSA0T, 10011WSA0T, 10015WSA0T |
| 14  | *CE04230107 | FOR: 10010WSA0T, 10011WSA0T             |
| 14  | *CE04302131 | FOR: 10012WSA0T, 10013WSA0T, 10015WSA0T |
| 15  | *CE04010025 | FOR: 10010WSA0T, 10011WSA0T             |
| 15  | *CE04010026 | FOR: 10012WSA0T, 10015WSA0T             |
| 15  | *CE04010048 | FOR: 10013WSA0T                         |
| 16  | *CE04300917 | FOR: 10010WSA0T [4UT], 10011WSA0T [4UT] |
| 16  | *CE04300915 | FOR: 10012WSA0T [4UT], 10015WSA0T [4UT] |
| 16  | *CE04290109 | FOR: 10013WSA0T [6UT]                   |
| 17  | *CE04260015 | FOR: 10010WSA0T                         |
| 17  | *CE04010305 | FOR: 10011WSA0T                         |
| 17  | *CE04010306 | FOR: 10015WSA0T                         |
| 17  | *CE04010307 | FOR: 10012WSA0T                         |
| 17  | *CE04010308 | FOR: 10013WSA0T                         |
| 18  | *CE04260009 | FOR: 10010WSA0T                         |
| 18  | *CE04010119 | FOR: 10011WSA0T                         |
| 18  | *CE04010303 | FOR: 10015WSA0T                         |
| 18  | *CE04010120 | FOR: 10012WSA0T                         |
| 18  | *CE04010304 | FOR: 10013WSA0T                         |
| 19  | *CE04301003 | FOR: 10010WSA0T, 10011WSA0T, 10015WSA0T |
| 19  | *CE04300707 | FOR: 10012WSA0T, 10013WSA0T             |
| 21  | *CE04301004 | FOR: 10010WSA0T, 10011WSA0T             |
| 21  | *CE04300910 | FOR: 10012WSA0T, 10013WSA0T, 10015WSA0T |

CODICE **10010WSA0T, 10011WSA0T, 10012WSA0T, 10013WSA0T, 10015WSA0T**

DESCRIZIONE: **FILTRO JUPITER COPERCHIO FILETTATO**



### ITALIANO

| POS | CODICE       | DESCRIZIONE                    | QUANTITA' | POS | CODICE       | DESCRIZIONE                       | QUANTITA' |
|-----|--------------|--------------------------------|-----------|-----|--------------|-----------------------------------|-----------|
| 1   | CE04180405   | MANOMETRO 1/8" 3 KG./C "       |           | 13  | CE04040115   | O-RING D 60X8                     |           |
| 2   | CE04180404   | MANOMETRO COMPLETO             |           | 14  | * CE04230107 | RACCORDO 1 1/2" + GUAR.           |           |
| 3   | CE04020030   | GHIERA COPERCHIO + GUARNICIONE |           | 14  | * CE04302131 | RACCORDO 2" + GUARNIZION "        |           |
| 4   | CE04260202   | GUARNIZIONE COPERCHIO          |           | 15  | * CE04010025 | GRUPPO CANDELOTTO COLLECTORE D. 4 |           |
| 5   | CE04260205   | FLANGIA COPERCHIO COMPLETO     |           | 15  | * CE04010026 | GRUPPO CANDELOTTO COLLECTORE      |           |
| 6   | CE04020116   | O-RING 255X4                   |           | 15  | * CE04010048 | GRUPPO CANDELOTTO COLLECTORE D. 7 |           |
| 7   | CE04190004   | CHIAVE COPERCHIO               |           | 16  | * CE04300917 | CANDELOTTO COLLECTORE 1" 110 M "  |           |
| 8   | * CE04040010 | SCARICA SABBIA - ACQUA         |           | 16  | * CE04300915 | CANDELOTTO COLLECTORE 1" 175 M "  |           |
| 9   | * CE04040012 | VALVOLA DI SICUREZZA           |           | 16  | * CE04290109 | CANDELOTTO 1" 265 M/M "           |           |
| 10  | * CE04010344 | BASE FILTRO D 400              |           | 17  | * CE04260015 | KIT COLLETTORE D. 450             |           |
| 10  | * CE04010346 | BASE FILTRO 14                 |           | 17  | * CE04010305 | KIT COLLETTORE 14                 |           |
| 10  | * CE04010298 | BASE FILTRO 18-22              |           | 17  | * CE04010306 | KIT COLLETTORE 18                 |           |
| 10  | * CE04010345 | BASE FILTRO D. 750             |           | 17  | * CE04010307 | KIT COLLETTORE 22                 |           |

CODICE **10010WSA0T, 10011WSA0T, 10012WSA0T, 10013WSA0T, 10015WSA0T**DESCRIZIONE: **FILTRO JUPITER COPERCHIO FILETTATO**

|    |              |                            |    |              |                           |
|----|--------------|----------------------------|----|--------------|---------------------------|
| 11 | * CE04010108 | SCARICO ACQUA 3/8"         | 17 | * CE04010308 | KIT COLLETTORE 33         |
| 12 | * CE04040113 | TAPPO SPURGO E GUARNIZIONE | 18 | * CE04260009 | RACCORDO DIFFUSORE D. 450 |
| 18 | * CE04010119 | RACCORDO DIFFUSORE D. 600  | 19 | * CE04300707 | TUBO RIGIDO L-845         |
| 18 | * CE04010303 | RACCORDO DIFFUSORE 18      | 20 | CE04040108   | SFIATO ARIA               |
| 18 | * CE04010120 | RACCORDO DIFFUSORE D. 750  | 21 | * CE04301004 | CONO DIFFUSORE D. 50      |
| 18 | * CE04010304 | RACCORDO DIFFUSORE 33      | 21 | * CE04300910 | CONO DIFFUSORE D. 63      |
| 19 | * CE04301003 | SPURGO ARIA + TUBO L=670   |    |              |                           |

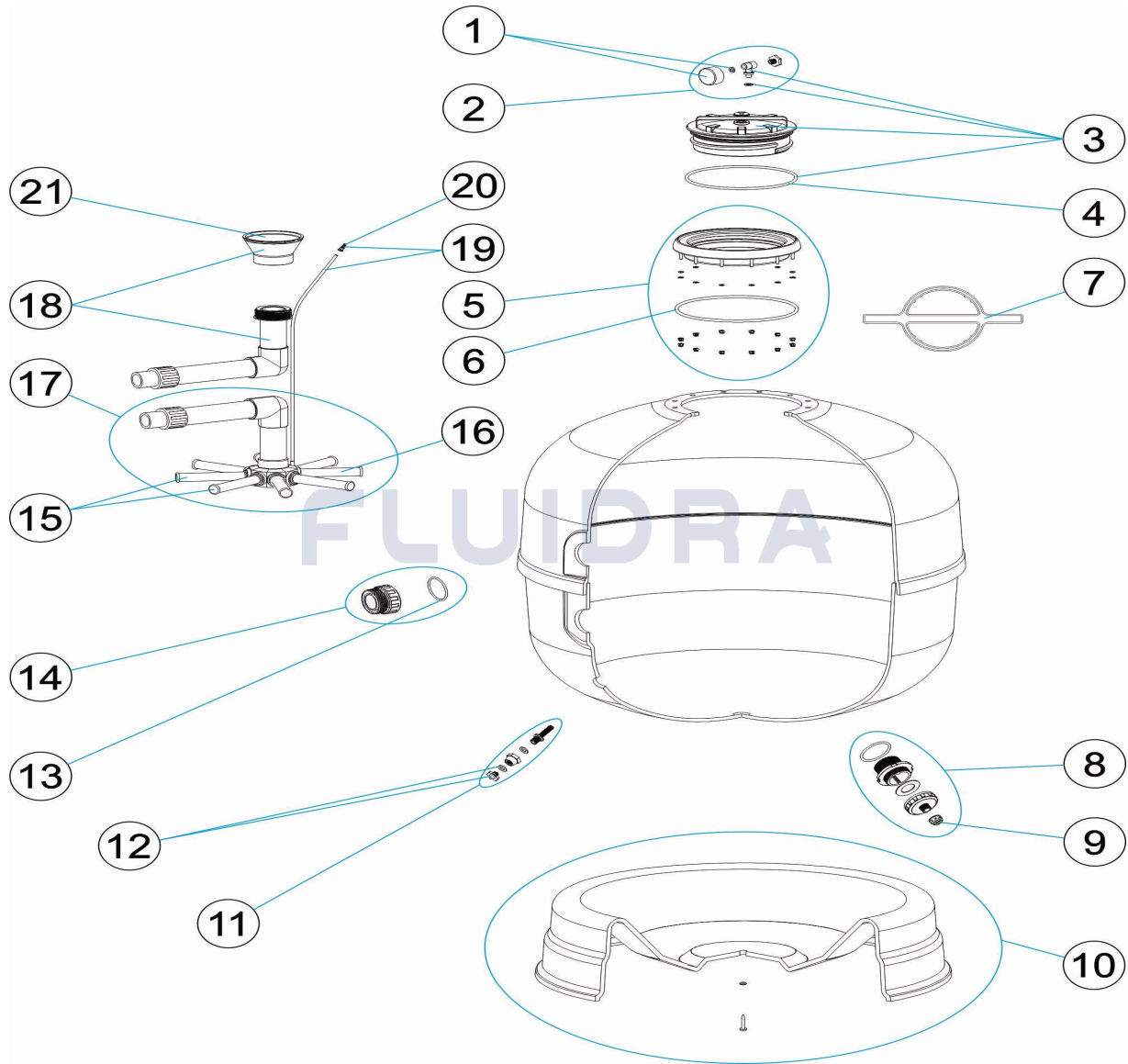
CODICE **10010WSA0T, 10011WSA0T, 10012WSA0T, 10013WSA0T, 10015WSA0T**

DESCRIZIONE: **FILTRO JUPITER COPERCHIO FILETTATO**

## OSSERVAZIONI

| POS | CODICE      | OSSERVAZIONI                            |
|-----|-------------|---|
| 8   | *CE04040010 | PER: 10012WSA0T, 10013WSA0T             |
| 9   | *CE04040012 | PER: 10012WSA0T, 10013WSA0T             |
| 10  | *CE04010344 | PER: 10010WSA0T                         |
| 10  | *CE04010346 | PER: 10011WSA0T                         |
| 10  | *CE04010298 | PER: 10012WSA0T, 10015WSA0T             |
| 10  | *CE04010345 | PER: 10013WSA0T                         |
| 11  | *CE04010108 | PER: 10010WSA0T, 10011WSA0T, 10015WSA0T |
| 12  | *CE04040113 | PER: 10010WSA0T, 10011WSA0T, 10015WSA0T |
| 14  | *CE04230107 | PER: 10010WSA0T, 10011WSA0T             |
| 14  | *CE04302131 | PER: 10012WSA0T, 10013WSA0T, 10015WSA0T |
| 15  | *CE04010025 | PER: 10010WSA0T, 10011WSA0T             |
| 15  | *CE04010026 | PER: 10012WSA0T, 10015WSA0T             |
| 15  | *CE04010048 | PER: 10013WSA0T                         |
| 16  | *CE04300917 | PER: 10010WSA0T [4UT], 10011WSA0T [4UT] |
| 16  | *CE04300915 | PER: 10012WSA0T [4UT], 10015WSA0T [4UT] |
| 16  | *CE04290109 | PER: 10013WSA0T [6UT]                   |
| 17  | *CE04260015 | PER: 10010WSA0T                         |
| 17  | *CE04010305 | PER: 10011WSA0T                         |
| 17  | *CE04010306 | PER: 10015WSA0T                         |
| 17  | *CE04010307 | PER: 10012WSA0T                         |
| 17  | *CE04010308 | PER: 10013WSA0T                         |
| 18  | *CE04260009 | PER: 10010WSA0T                         |
| 18  | *CE04010119 | PER: 10011WSA0T                         |
| 18  | *CE04010303 | PER: 10015WSA0T                         |
| 18  | *CE04010120 | PER: 10012WSA0T                         |
| 18  | *CE04010304 | PER: 10013WSA0T                         |
| 19  | *CE04301003 | PER: 10010WSA0T, 10011WSA0T, 10015WSA0T |
| 19  | *CE04300707 | PER: 10012WSA0T, 10013WSA0T             |
| 21  | *CE04301004 | PER: 10010WSA0T, 10011WSA0T             |
| 21  | *CE04300910 | PER: 10012WSA0T, 10013WSA0T, 10015WSA0T |

CODE **10010WSA0T, 10011WSA0T, 10012WSA0T, 10013WSA0T, 10015WSA0T**

 BESCHREIBUNG: **FILTER JUPITER GEWINDEDECKEL**

**DEUTSCH**

| POS | CODE         | BESCHREIBUNG                      | MENGE | POS | CODE         | BESCHREIBUNG                       | MENGE |
|-----|--------------|-----------------------------------|-------|-----|--------------|------------------------------------|-------|
| 1   | CE04180405   | MANOMETER 1/8" 3 KG/C "           |       | 13  | CE04040115   | O-RING D. 60 X 8                   |       |
| 2   | CE04180404   | MANOMETER KOMPLETT                |       | 14  | * CE04230107 | GEWINDESTÜCK 1 1/2" UND O-RIN "    |       |
| 3   | CE04020030   | ABDECKUNG GEWINDE UND DICHTUNG    |       | 14  | * CE04302131 | GEWINDESTÜCK 2" UND DICHTUN "      |       |
| 4   | CE04260202   | DICHTUNG ABDECKUNG                |       | 15  | * CE04010025 | SET FILTERSTERN-SCHLITZROHR D. 400 |       |
| 5   | CE04260205   | RING ABDECKUNG KOMPLETT           |       | 15  | * CE04010026 | SET FILTERSTERN-SCHLITZROHR        |       |
| 6   | CE04020116   | O-RING 255 X 4                    |       | 15  | * CE04010048 | SET FILTERSTERN-SCHLITZROHR D. 750 |       |
| 7   | CE04190004   | SCHLÜSSEL FILTERABDECKUNG SPEZIAL |       | 16  | * CE04300917 | FILTERSTERN-SCHLITZROHR 1" 110 M " |       |
| 8   | * CE04040010 | SANDAUSSASS - ABLASS              |       | 16  | * CE04300915 | FILTERSTERN-SCHLITZROHR 1" 175 M " |       |
| 9   | * CE04040012 | SICHERHEITSENTIL                  |       | 16  | * CE04290109 | FILTERSTERN-SCHLITZROHR 1" 265 M " |       |
| 10  | * CE04010344 | FILTERFUSS D. 400                 |       | 17  | * CE04260015 | SET SAMMELROHR D. 450              |       |
| 10  | * CE04010346 | FILTERFUSS 14                     |       | 17  | * CE04010305 | SAMMELROHRSET 14                   |       |
| 10  | * CE04010298 | FILTERFUSS 18 - 22                |       | 17  | * CE04010306 | SAMMELROHRSET 18                   |       |
| 10  | * CE04010345 | FILTERFUSS D. 750                 |       | 17  | * CE04010307 | SAMMELROHRSET 22                   |       |

\* SIEHE ANMERKUNGSBLATT

CODE **10010WSA0T, 10011WSA0T, 10012WSA0T, 10013WSA0T, 10015WSA0T**BESCHREIBUNG: **FILTER JUPITER GEWINDEDECKEL**

|    |              |                            |    |              |                             |
|----|--------------|----------------------------|----|--------------|-----------------------------|
| 11 | * CE04010108 | WASSERABLAß 3/8"           | 17 | * CE04010308 | SAMMELROHRSET 33            |
| 12 | * CE04040113 | ABLASSSTOPFEN UND DICHTUNG | 18 | * CE04260009 | SET WASSERVERTEILER D. 450  |
| 18 | * CE04010119 | SET WASSERVERTEILER D. 600 | 19 | * CE04300707 | ROHR HART L - 845           |
| 18 | * CE04010303 | SET WASSERVERTEILER 18     | 20 | CE04040108   | ENTLÜFTUNG                  |
| 18 | * CE04010120 | SET WASSERVERTEILER D. 750 | 21 | * CE04301004 | KEGEL WASSERVERTEILER D. 50 |
| 18 | * CE04010304 | SET WASSERVERTEILER 33     | 21 | * CE04300910 | KEGEL WASSERVERTEILER D. 63 |
| 19 | * CE04301003 | ENTLÜFTUNG UND ROHR L=670  |    |              |                             |

CODE **10010WSA0T, 10011WSA0T, 10012WSA0T, 10013WSA0T, 10015WSA0T**

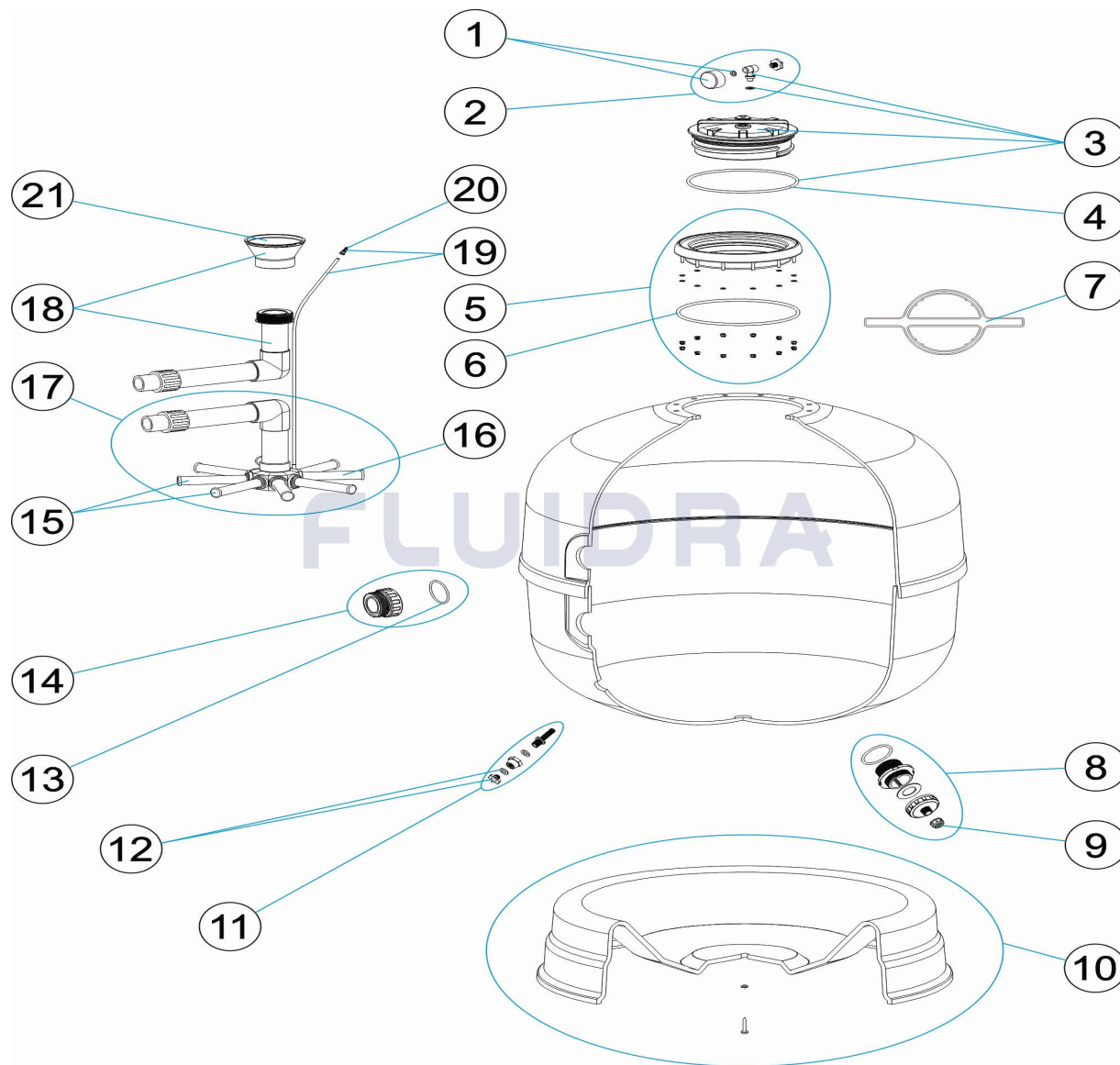
BESCHREIBUNG: **FILTER JUPITER GEWINDEDECKEL**

## HINWEISE

| POS | CODE        | HINWEISE                                |
|-----|-------------|---|
| 8   | *CE04040010 | FÜR: 10012WSA0T, 10013WSA0T             |
| 9   | *CE04040012 | FÜR: 10012WSA0T, 10013WSA0T             |
| 10  | *CE04010344 | FÜR: 10010WSA0T                         |
| 10  | *CE04010346 | FÜR: 10011WSA0T                         |
| 10  | *CE04010298 | FÜR: 10012WSA0T, 10015WSA0T             |
| 10  | *CE04010345 | FÜR: 10013WSA0T                         |
| 11  | *CE04010108 | FÜR: 10010WSA0T, 10011WSA0T, 10015WSA0T |
| 12  | *CE04040113 | FÜR: 10010WSA0T, 10011WSA0T, 10015WSA0T |
| 14  | *CE04230107 | FÜR: 10010WSA0T, 10011WSA0T             |
| 14  | *CE04302131 | FÜR: 10012WSA0T, 10013WSA0T, 10015WSA0T |
| 15  | *CE04010025 | FÜR: 10010WSA0T, 10011WSA0T             |
| 15  | *CE04010026 | FÜR: 10012WSA0T, 10015WSA0T             |
| 15  | *CE04010048 | FÜR: 10013WSA0T                         |
| 16  | *CE04300917 | FÜR: 10010WSA0T [4UT], 10011WSA0T [4UT] |
| 16  | *CE04300915 | FÜR: 10012WSA0T [4UT], 10015WSA0T [4UT] |
| 16  | *CE04290109 | FÜR: 10013WSA0T [6UT]                   |
| 17  | *CE04260015 | FÜR: 10010WSA0T                         |
| 17  | *CE04010305 | FÜR: 10011WSA0T                         |
| 17  | *CE04010306 | FÜR: 10015WSA0T                         |
| 17  | *CE04010307 | FÜR: 10012WSA0T                         |
| 17  | *CE04010308 | FÜR: 10013WSA0T                         |
| 18  | *CE04260009 | FÜR: 10010WSA0T                         |
| 18  | *CE04010119 | FÜR: 10011WSA0T                         |
| 18  | *CE04010303 | FÜR: 10015WSA0T                         |
| 18  | *CE04010120 | FÜR: 10012WSA0T                         |
| 18  | *CE04010304 | FÜR: 10013WSA0T                         |
| 19  | *CE04301003 | FÜR: 10010WSA0T, 10011WSA0T, 10015WSA0T |
| 19  | *CE04300707 | FÜR: 10012WSA0T, 10013WSA0T             |
| 21  | *CE04301004 | FÜR: 10010WSA0T, 10011WSA0T             |
| 21  | *CE04300910 | FÜR: 10012WSA0T, 10013WSA0T, 10015WSA0T |

CODIGO **10010WSA0T, 10011WSA0T, 10012WSA0T, 10013WSA0T, 10015WSA0T**

DESCRICÃO: **FILTRO JÚPITER TAMPA ENROSCADA**



**PORTUGUES**

| POS | CODIGO       | DESCRICÃO                | JANTIDADE | POS | CODIGO       | DESCRICÃO                   | JANTIDADE |
|-----|--------------|--------------------------|-----------|-----|--------------|-----------------------------|-----------|
| 1   | CE04180405   | MANOMETRO 1/8" 3 KG./C " |           | 13  | CE04040115   | JUNTA TÓRICA D 60X8         |           |
| 2   | CE04180404   | MANÓMETRO COMPLETO       |           | 14  | * CE04230107 | RACORD 1 1/2" + JUNTA       |           |
| 3   | CE04020030   | TAMPA ROSCADA + JUNTA    |           | 14  | * CE04302131 | ACOPLADOR 2" E JUNT "       |           |
| 4   | CE04260202   | JUNTA TAMPA              |           | 15  | * CE04010025 | CJTO. BRAÇO COLECTOR D. 400 |           |
| 5   | CE04260205   | ARO TAMPA COMPLETO       |           | 15  | * CE04010026 | CJTO. BRAÇO COLECTOR        |           |
| 6   | CE04020116   | JUNTA TÓRICA 255X4       |           | 15  | * CE04010048 | CJTO. BRAÇO COLECTOR D. 750 |           |
| 7   | CE04190004   | CHAVE TAMPA              |           | 16  | * CE04300917 | BRAÇO COLECTOR 1" 110 M "   |           |
| 8   | * CE04040010 | DESCARREGA AREIA - ÁGUA  |           | 16  | * CE04300915 | BRAÇO COLECTOR 1" 175 M "   |           |
| 9   | * CE04040012 | VÁLVULA DE SEGURANÇA     |           | 16  | * CE04290109 | BRAÇO COLECTOR 1" 265 M/M " |           |
| 10  | * CE04010344 | PÉ FILTRO D 400          |           | 17  | * CE04260015 | CJTO. COLECTOR D. 450       |           |
| 10  | * CE04010346 | PÉ FILTRO 14             |           | 17  | * CE04010305 | CJTO. COLECTOR 14           |           |
| 10  | * CE04010298 | PÉ FILTRO 18-22          |           | 17  | * CE04010306 | CJTO. COLECTOR 18           |           |
| 10  | * CE04010345 | PÉ FILTRO D. 750         |           | 17  | * CE04010307 | CJTO. COLECTOR 22           |           |

**\* VEJA A FICHA DE OBSERVAÇÕES**



CODIGO **10010WSA0T, 10011WSA0T, 10012WSA0T, 10013WSA0T, 10015WSA0T**DESCRICAÇÃO: **FILTRO JÚPITER TAMPA ENROSCADA**

|    |              |                       |    |              |                      |
|----|--------------|-----------------------|----|--------------|----------------------|
| 11 | * CE04010108 | PURGA AGUA 3/8"       | 17 | * CE04010308 | CJTO. COLECTOR 33    |
| 12 | * CE04040113 | TAMPÃO PURGA E JUNTA  | 18 | * CE04260009 | CJTO. DIFUSOR D. 450 |
| 18 | * CE04010119 | CJTO. DIFUSOR D. 600  | 19 | * CE04300707 | TUBO RÍGIDO L-845    |
| 18 | * CE04010303 | CJTO. DIFUSOR 18      | 20 | CE04040108   | PURGA AREIA          |
| 18 | * CE04010120 | CJTO. DIFUSOR D. 750  | 21 | * CE04301004 | CONO DIFUSOR D. 50   |
| 18 | * CE04010304 | CJTO. DIFUSOR 33      | 21 | * CE04300910 | CONO DIFUSOR D. 63   |
| 19 | * CE04301003 | PURGA AR + TUBO L=670 |    |              |                      |

CODIGO **10010WSA0T, 10011WSA0T, 10012WSA0T, 10013WSA0T, 10015WSA0T**

DESCRIÇÃO: **FILTRO JÚPITER TAMPA ENROSCADA**

## OBSERVAÇÕES

| POS | CODIGO      | OBSERVAÇÕES                              |
|-----|-------------|--|
| 8   | *CE04040010 | PARA: 10012WSA0T, 10013WSA0T             |
| 9   | *CE04040012 | PARA: 10012WSA0T, 10013WSA0T             |
| 10  | *CE04010344 | PARA: 10010WSA0T                         |
| 10  | *CE04010346 | PARA: 10011WSA0T                         |
| 10  | *CE04010298 | PARA: 10012WSA0T, 10015WSA0T             |
| 10  | *CE04010345 | PARA: 10013WSA0T                         |
| 11  | *CE04010108 | PARA: 10010WSA0T, 10011WSA0T, 10015WSA0T |
| 12  | *CE04040113 | PARA: 10010WSA0T, 10011WSA0T, 10015WSA0T |
| 14  | *CE04230107 | PARA: 10010WSA0T, 10011WSA0T             |
| 14  | *CE04302131 | PARA: 10012WSA0T, 10013WSA0T, 10015WSA0T |
| 15  | *CE04010025 | PARA: 10010WSA0T, 10011WSA0T             |
| 15  | *CE04010026 | PARA: 10012WSA0T, 10015WSA0T             |
| 15  | *CE04010048 | PARA: 10013WSA0T                         |
| 16  | *CE04300917 | PARA: 10010WSA0T [4UT], 10011WSA0T [4UT] |
| 16  | *CE04300915 | PARA: 10012WSA0T [4UT], 10015WSA0T [4UT] |
| 16  | *CE04290109 | PARA: 10013WSA0T [6UT]                   |
| 17  | *CE04260015 | PARA: 10010WSA0T                         |
| 17  | *CE04010305 | PARA: 10011WSA0T                         |
| 17  | *CE04010306 | PARA: 10015WSA0T                         |
| 17  | *CE04010307 | PARA: 10012WSA0T                         |
| 17  | *CE04010308 | PARA: 10013WSA0T                         |
| 18  | *CE04260009 | PARA: 10010WSA0T                         |
| 18  | *CE04010119 | PARA: 10011WSA0T                         |
| 18  | *CE04010303 | PARA: 10015WSA0T                         |
| 18  | *CE04010120 | PARA: 10012WSA0T                         |
| 18  | *CE04010304 | PARA: 10013WSA0T                         |
| 19  | *CE04301003 | PARA: 10010WSA0T, 10011WSA0T, 10015WSA0T |
| 19  | *CE04300707 | PARA: 10012WSA0T, 10013WSA0T             |
| 21  | *CE04301004 | PARA: 10010WSA0T, 10011WSA0T             |
| 21  | *CE04300910 | PARA: 10012WSA0T, 10013WSA0T, 10015WSA0T |