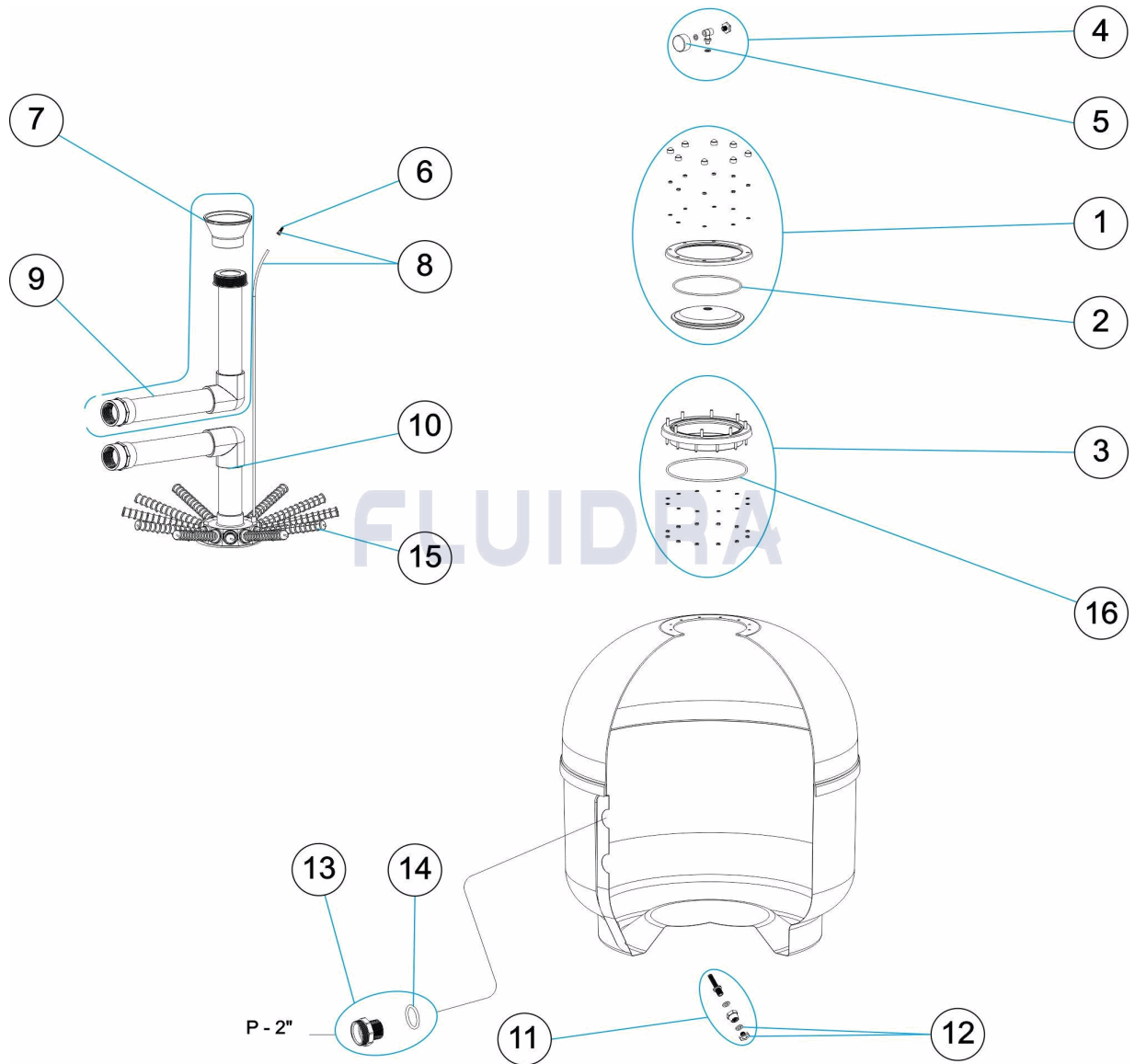


CODIGO **SPHS760, SPHS900**

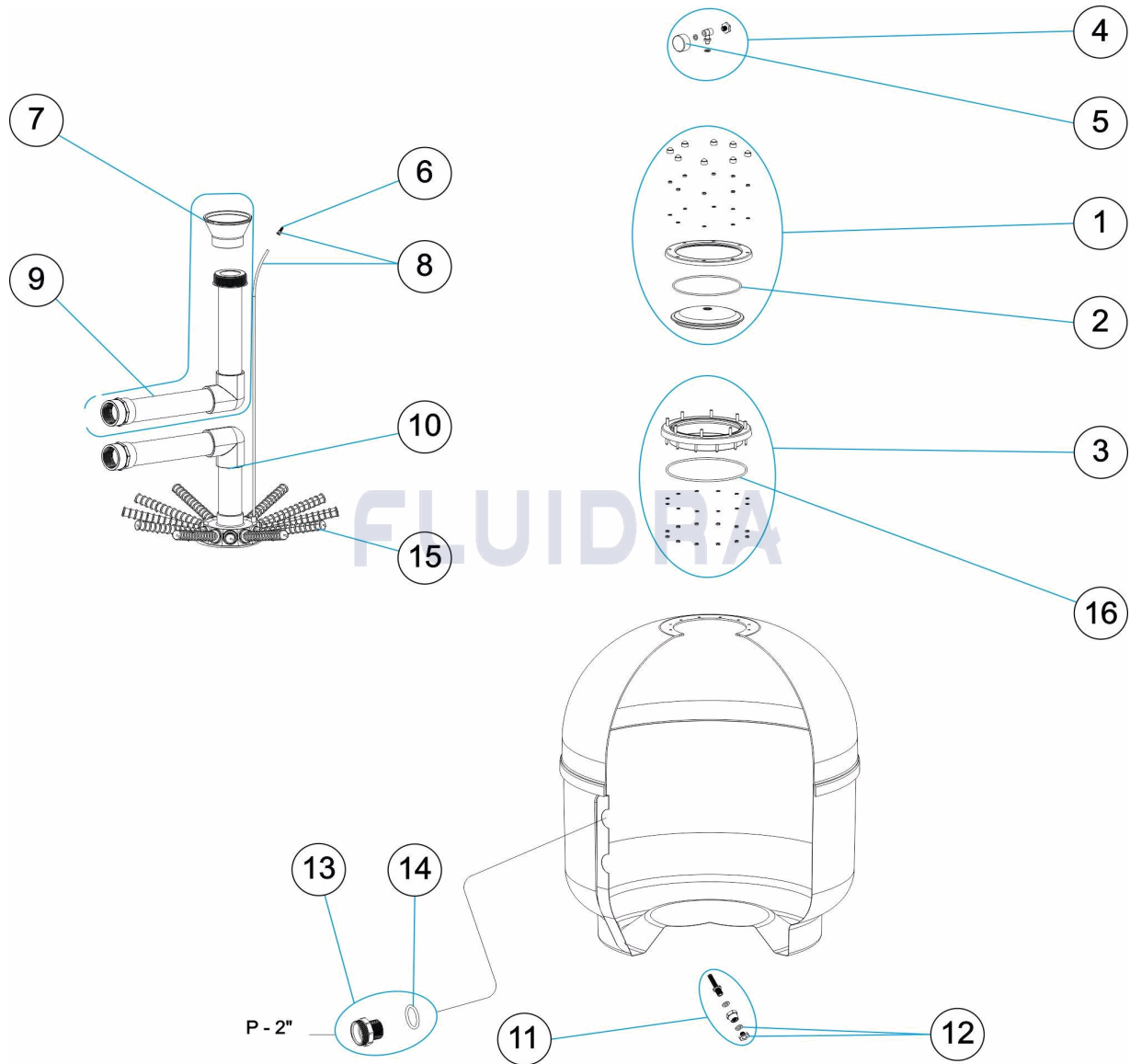
 DESCRIPCION: **FILTRO SIDE CON VALVULA HS. D. 760, 900 2" AMARILL "**

ESPAÑOL

| POS | CODIGO | DESCRIPCION | CANTIDAD | POS | CODIGO | DESCRIPCION | CANTIDAD |
|-----|--------------|-------------------------------|----------|-----|--------------|---------------------------|----------|
| 1 | CE04300601 | TAPA FILTRO + JUNTA + TUERCAS | | 10 | * CE04302219 | CJTO. COLECTOR 760 1" | |
| 2 | CE04260106 | JUNTA ARO FIJACION VALVULA | | 10 | * CE04302220 | CJTO. COLECTOR 900 1" | |
| 3 | CE04300615 | ARO CUELLO 20 TORNILLOS | | 11 | CE04010108 | PURGA AGUA 3/8" | |
| 4 | CE04180404 | MANOMETRO COMPLETO | | 12 | CE04040113 | TAPON PURGA Y JUNTA | |
| 5 | CE04180405 | MANOMETRO 1/8" 3 KG/C " | | 13 | CE04300709 | RACORD 2" + JUNT " | |
| 6 | CE04040108 | PURGA AIRE | | 14 | CE04040115 | JUNTA TORICA D. 60X8 | |
| 7 | CE04300910 | CONO DIFUSOR D. 63 | | 15 | * CE04300916 | BRAZO COLECTOR 1" 225 M " | |
| 8 | CE04300707 | TUBO RIGIDO L-845 | | 15 | * CE04290109 | BRAZO COLECTOR 1" 265 M " | |
| 9 | * CE04300710 | CJTO. DIFUSOR 760 | | 16 | CE04020116 | JUNTA TORICA 255X4 | |
| 9 | * CE04300711 | CJTO. DIFUSOR 900 | | | | | |

CODIGO **SPHS760, SPHS900**DESCRIPCION: **FILTRO SIDE CON VALVULA HS. D. 760, 900 2" AMARILL "****OBSERVACIONES**

| POS | CODIGO | OBSERVACIONES |
|-----|-------------|---------------------------|
| 9 | *CE04300710 | PARA: SPHS760 |
| 9 | *CE04300711 | PARA: SPHS900 |
| 10 | *CE04302219 | PARA: SPHS760 |
| 10 | *CE04302220 | PARA: SPHS900 |
| 15 | *CE04300916 | PARA: SPHS760 [6UNIDADES] |
| 15 | *CE04290109 | PARA: SPHS900 [6UNIDADES] |

CODE **SPHS760, SPHS900**

 DESCRIPTION: **FILTRE SIDE AVEC VANNE HS. D. 760, 900 2" JAUN "**

FRANCAIS

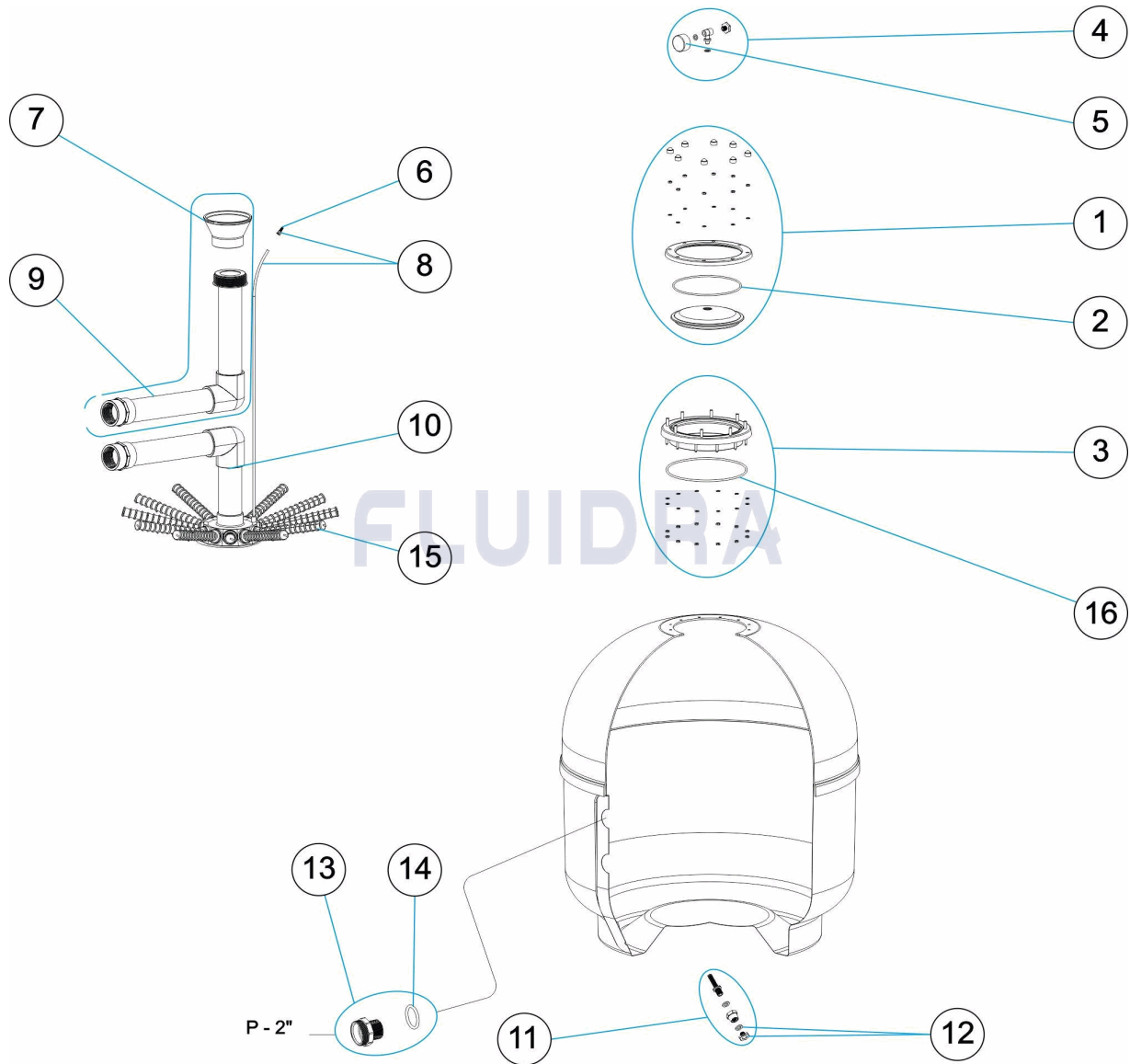
| POS | CODE | DESCRIPTION | QUANTITE | POS | CODE | DESCRIPTION | QUANTITE |
|-----|--------------|-------------------------------------|----------|-----|--------------|----------------------------------|----------|
| 1 | CE04300601 | COUVERCLE DE FILTRE + JOINT + ECROL | | 10 | * CE04302219 | ENSEMBLE COLLECTEUR 760 1" | |
| 2 | CE04260106 | JOINT BRIDE FIXATION VANNE TOP | | 10 | * CE04302220 | ENSEMBLE COLLECTEUR 900 1" | |
| 3 | CE04300615 | BRIDE GORGE 20 VIS | | 11 | CE04010108 | PURGE D'EAU 3/8" | |
| 4 | CE04180404 | MANOMETRE COMPLET | | 12 | CE04040113 | BOUCHON PURGE ET JOINT | |
| 5 | CE04180405 | MANOMETRE 1/8" 3 KG./C " | | 13 | CE04300709 | RACCORD 2" + JOIN " | |
| 6 | CE04040108 | PURGE D'AIR | | 14 | CE04040115 | JOINT TORIQUE D 60X8 | |
| 7 | CE04300910 | DIFUSOR CONIQUE SUPÉRIOR D. 63 | | 15 | * CE04300916 | BRAS DE REPARTITEUR 1" 225 M " | |
| 8 | CE04300707 | TUBE RIGIDE L-845 | | 15 | * CE04290109 | BRAS DE REPARTITEUR 1" 265 M/M " | |
| 9 | * CE04300710 | ENSEMBLE DIFFUSEUR 760 | | 16 | CE04020116 | JOINT TORIQUE 255X4 | |
| 9 | * CE04300711 | ENSEMBLE DIFFUSEUR 900 | | | | | |

CODE **SPHS760, SPHS900**DESCRIPTION: **FILTRE SIDE AVEC VANNE HS. D. 760, 900 2" JAUN "**

OBSERVATIONS

| POS | CODE | OBSERVATIONS |
|-----|-------------|---------------------|
| 9 | *CE04300710 | POUR: SPHS760 |
| 9 | *CE04300711 | POUR: SPHS900 |
| 10 | *CE04302219 | POUR: SPHS760 |
| 10 | *CE04302220 | POUR: SPHS900 |
| 15 | *CE04300916 | POUR: SPHS760 [6UT] |
| 15 | *CE04290109 | POUR: SPHS900 [6UT] |

CODE **SPHS760, SPHS900**

 DESCRIPTION: **SIDE FILTER WITH YELLOW HS. D. 760, 900 2" VALV "**

ENGLISH

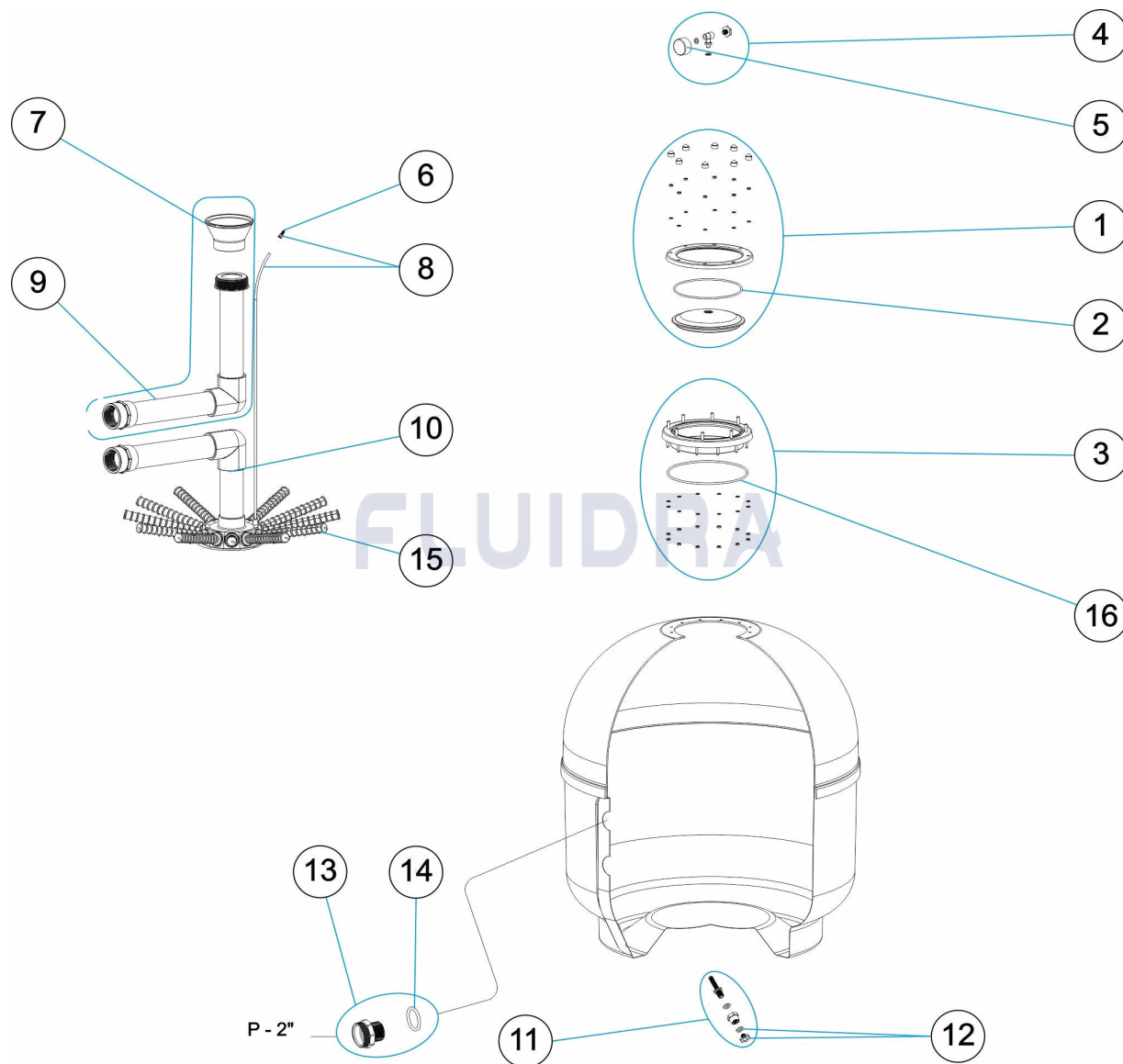
| POS | CODE | DESCRIPTION | QUANTITY | POS | CODE | DESCRIPTION | QUANTITY |
|-----|--------------|-------------------------------|----------|-----|--------------|--------------------------|----------|
| 1 | CE04300601 | FILTER LID + SEAL + NUTS | | 10 | * CE04302219 | MANIFOLD ASSEMBLY 760 1" | |
| 2 | CE04260106 | VALVE TOP RING FIXING GASKET | | 10 | * CE04302220 | MANIFOLD ASSEMBLY 900 1" | |
| 3 | CE04300615 | 20-SCREW NECK RING | | 11 | CE04010108 | WATER PURGE 3/8" | |
| 4 | CE04180404 | COMPLETE PRESSURE GAUGE UNIT | | 12 | CE04040113 | DRAIN PLUG AND GASKET | |
| 5 | CE04180405 | PRESSURE GAUGE 1/8" 3 KG./C " | | 13 | CE04300709 | FITTING 2" + GASKE " | |
| 6 | CE04040108 | AIR PURGE | | 14 | CE04040115 | O' RING D. 60X8 | |
| 7 | CE04300910 | DIFFUSER CONE D. 63 | | 15 | * CE04300916 | MANIFOLD ARM 1" 225 M " | |
| 8 | CE04300707 | RIGID PIPE L-845 | | 15 | * CE04290109 | COLLECTOR ARM 1" 265 M " | |
| 9 | * CE04300710 | DIFFUSER ASSEMBLY 760 | | 16 | CE04020116 | O' RING 255X4 | |
| 9 | * CE04300711 | DIFFUSER ASSEMBLY 900 | | | | | |

CODE **SPHS760, SPHS900**DESCRIPTION: **SIDE FILTER WITH YELLOW HS. D. 760, 900 2" VALV "**

OBSERVATIONS

| POS | CODE | OBSERVATIONS |
|-----|-------------|--------------------|
| 9 | *CE04300710 | FOR: SPHS760 |
| 9 | *CE04300711 | FOR: SPHS900 |
| 10 | *CE04302219 | FOR: SPHS760 |
| 10 | *CE04302220 | FOR: SPHS900 |
| 15 | *CE04300916 | FOR: SPHS760 [6UT] |
| 15 | *CE04290109 | FOR: SPHS900 [6UT] |

CODICE **SPHS760, SPHS900**

 DESCRIZIONE: **FILTRO SIDE CON VALVOLA HS. D. 760, 900 2" GIALLO "**

ITALIANO

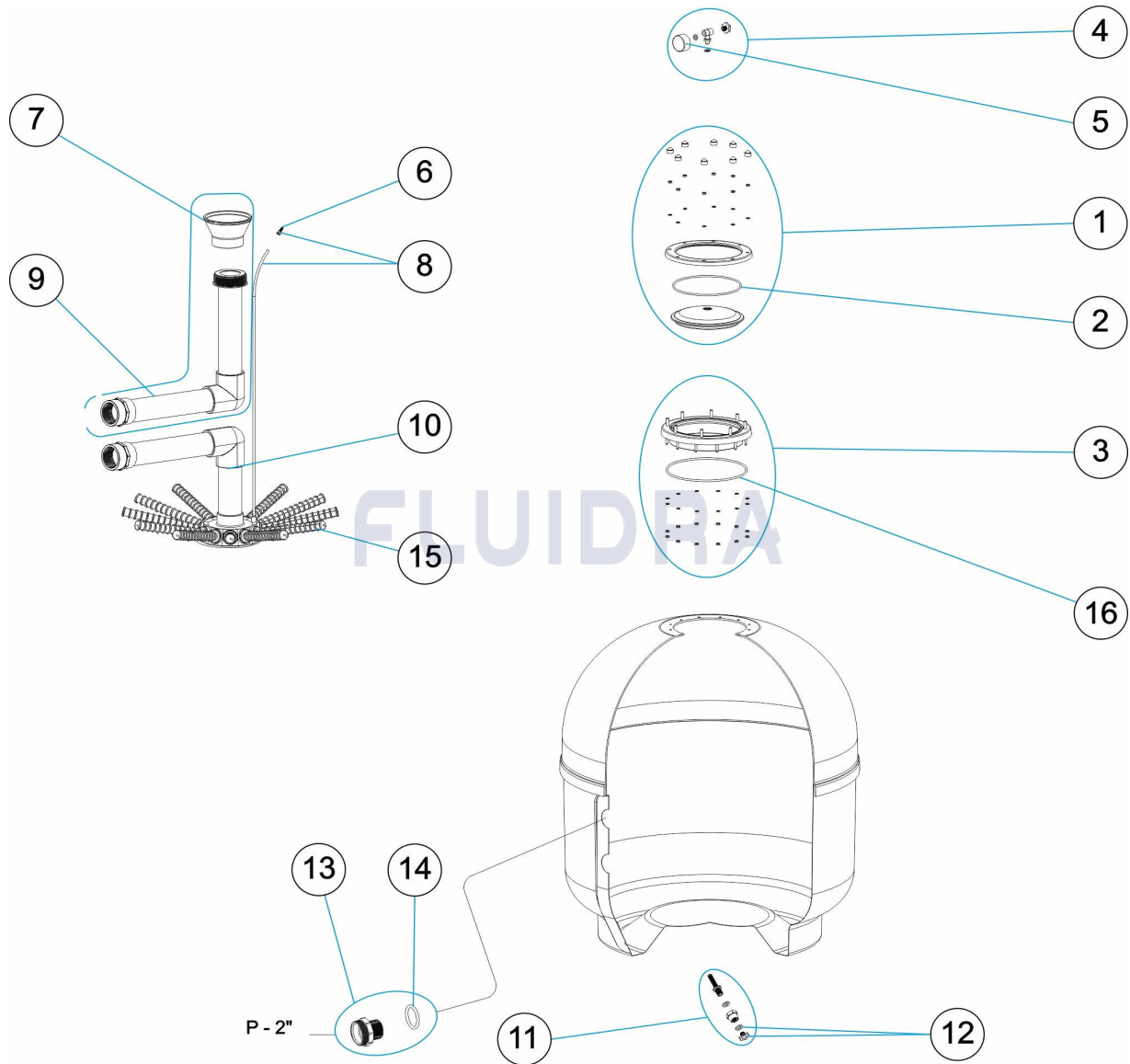
| POS | CODICE | DESCRIZIONE | QUANTITA' | POS | CODICE | DESCRIZIONE | QUANTITA' |
|-----|--------------|--------------------------------------|-----------|-----|--------------|----------------------------------|-----------|
| 1 | CE04300601 | COPERCHIO FILTRO + GUARNIZIONE + GI | | 10 | * CE04302219 | KIT COLLETTORE 760 1" | |
| 2 | CE04260106 | GUARNIZIONE FLANGIA FISSAGGIO VALVOL | | 10 | * CE04302220 | KIT COLLETTORE 900 1" | |
| 3 | CE04300615 | ANELLO COLLO 20 VITI | | 11 | CE04010108 | SCARICO ACQUA 3/8" | |
| 4 | CE04180404 | MANOMETRO COMPLETO | | 12 | CE04040113 | TAPPO SPURGO E GUARNIZIONE | |
| 5 | CE04180405 | MANOMETRO 1/8" 3 KG./C " | | 13 | CE04300709 | RACCORDO 2" + GUARNIZION " | |
| 6 | CE04040108 | SFIATO ARIA | | 14 | CE04040115 | O-RING D 60X8 | |
| 7 | CE04300910 | CONO DIFFUSORE D. 63 | | 15 | * CE04300916 | CANDELOTTO COLLECTORE 1" 225 M " | |
| 8 | CE04300707 | TUBO RIGIDO L-845 | | 15 | * CE04290109 | CANDELOTTO 1" 265 M/M " | |
| 9 | * CE04300710 | RACCORDO DIFFUSORE 760 | | 16 | CE04020116 | O-RING 255X4 | |
| 9 | * CE04300711 | RACCORDO DIFFUSORE 900 | | | | | |

CODICE **SPHS760, SPHS900**DESCRIZIONE: **FILTRO SIDE CON VALVOLA HS. D. 760, 900 2" GIALL "**

OSSERVAZIONI

| POS | CODICE | OSSERVAZIONI |
|-----|-------------|--------------------|
| 9 | *CE04300710 | PER: SPHS760 |
| 9 | *CE04300711 | PER: SPHS900 |
| 10 | *CE04302219 | PER: SPHS760 |
| 10 | *CE04302220 | PER: SPHS900 |
| 15 | *CE04300916 | PER: SPHS760 [6UT] |
| 15 | *CE04290109 | PER: SPHS900 [6UT] |

CODE **SPHS760, SPHS900**

 BESCHREIBUNG: **FILTER SIDE MIT VENTIL HS. D. 760, 900 2" GEL "**

DEUTSCH

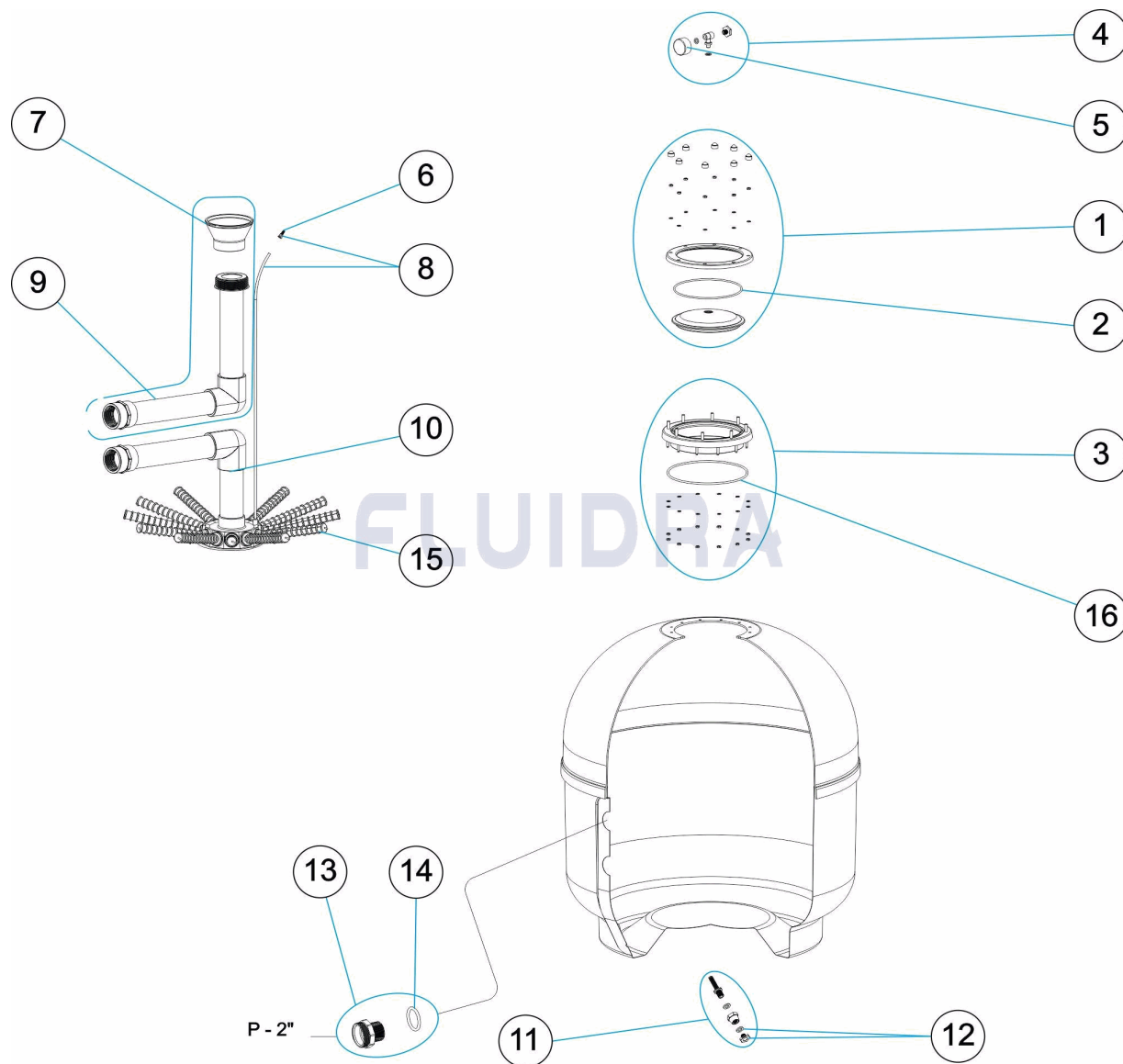
| POS | CODE | BESCHREIBUNG | MENGE | POS | CODE | BESCHREIBUNG | MENGE |
|-----|--------------|------------------------------------|-------|-----|--------------|------------------------------------|-------|
| 1 | CE04300601 | FILTERDECKEL, DICHTUNG UND MUTTER! | | 10 | * CE04302219 | SAMMELROHRSET 760 1" | |
| 2 | CE04260106 | DICHTUNG FIXIERRING VENTIL | | 10 | * CE04302220 | SAMMELROHRSET 900 1" | |
| 3 | CE04300615 | FILTERRING 20 SCHRAUBEN | | 11 | CE04010108 | WASSERABLASS 3/8" | |
| 4 | CE04180404 | MANOMETER KOMPLETT | | 12 | CE04040113 | ABLASSSTOPFEN UND DICHTUNG | |
| 5 | CE04180405 | MANOMETER 1/8" 3 KG/C " | | 13 | CE04300709 | GEWINDESTÜCK 2" UND DICHTUN " | |
| 6 | CE04040108 | ENTLÜFTUNG | | 14 | CE04040115 | O-RING D. 60 X 8 | |
| 7 | CE04300910 | KEGEL WASSERVERTEILER D. 63 | | 15 | * CE04300916 | FILTERSTERN-SCHLITZROHR 1" 225 M " | |
| 8 | CE04300707 | ROHR HART L - 845 | | 15 | * CE04290109 | FILTERSTERN-SCHLITZROHR 1" 265 M " | |
| 9 | * CE04300710 | SET WASSERVERTEILER 760 | | 16 | CE04020116 | O-RING 255 X 4 | |
| 9 | * CE04300711 | SET WASSERVERTEILER 900 | | | | | |

CODE **SPHS760, SPHS900**BESCHREIBUNG: **FILTER SIDE MIT VENTIL HS. D. 760, 900 2" GEL "**

HINWEISE

| POS | CODE | HINWEISE |
|-----|-------------|--------------------|
| 9 | *CE04300710 | FÜR: SPHS760 |
| 9 | *CE04300711 | FÜR: SPHS900 |
| 10 | *CE04302219 | FÜR: SPHS760 |
| 10 | *CE04302220 | FÜR: SPHS900 |
| 15 | *CE04300916 | FÜR: SPHS760 [6UT] |
| 15 | *CE04290109 | FÜR: SPHS900 [6UT] |

CODIGO **SPHS760, SPHS900**

 DESCRIÇÃO: **FILTRO SIDE COM VÁLVULA HS. D. 760, 900 2" AMAREL "**


PORTUGUES

| POS | CODIGO | DESCRIÇÃO | JANTIDADE | POS | CODIGO | DESCRIÇÃO | JANTIDADE |
|-----|--------------|-------------------------------|-----------|-----|--------------|-----------------------------|-----------|
| 1 | CE04300601 | TAMPA FILTRO + JUNTA | | 10 | * CE04302219 | CJTO. COLECTOR 760 1" | |
| 2 | CE04260106 | JUNTA ARO FIXAÇÃO VALVULA TOP | | 10 | * CE04302220 | CJTO. COLECTOR 900 1" | |
| 3 | CE04300615 | ARO PESCOÇOÇO 20 PARAFUSOS | | 11 | CE04010108 | PURGA AGUA 3/8" | |
| 4 | CE04180404 | MANÓMETRO COMPLETO | | 12 | CE04040113 | TAMPÃO PURGA E JUNTA | |
| 5 | CE04180405 | MANOMETRO 1/8" 3 KG./C " | | 13 | CE04300709 | ACOPLADOR 2" E JUNT " | |
| 6 | CE04040108 | PURGA AREIA | | 14 | CE04040115 | JUNTA TÓRICA D 60X8 | |
| 7 | CE04300910 | CONO DIFUSOR D. 63 | | 15 | * CE04300916 | BRAÇO COLECTOR 1" 225 M " | |
| 8 | CE04300707 | TUBO RÍGIDO L-845 | | 15 | * CE04290109 | BRAÇO COLECTOR 1" 265 M/M " | |
| 9 | * CE04300710 | CJTO. DIFUSOR 760 | | 16 | CE04020116 | JUNTA TÓRICA 255X4 | |
| 9 | * CE04300711 | CJTO. DIFUSOR 900 | | | | | |

CODIGO **SPHS760, SPHS900**DESCRIÇÃO: **FILTRO SIDE COM VÁLVULA HS. D. 760, 900 2" AMAREL "****OBSERVAÇÕES**

| POS | CODIGO | OBSERVAÇÕES |
|-----|-------------|---------------------|
| 9 | *CE04300710 | PARA: SPHS760 |
| 9 | *CE04300711 | PARA: SPHS900 |
| 10 | *CE04302219 | PARA: SPHS760 |
| 10 | *CE04302220 | PARA: SPHS900 |
| 15 | *CE04300916 | PARA: SPHS760 [6UT] |
| 15 | *CE04290109 | PARA: SPHS900 [6UT] |