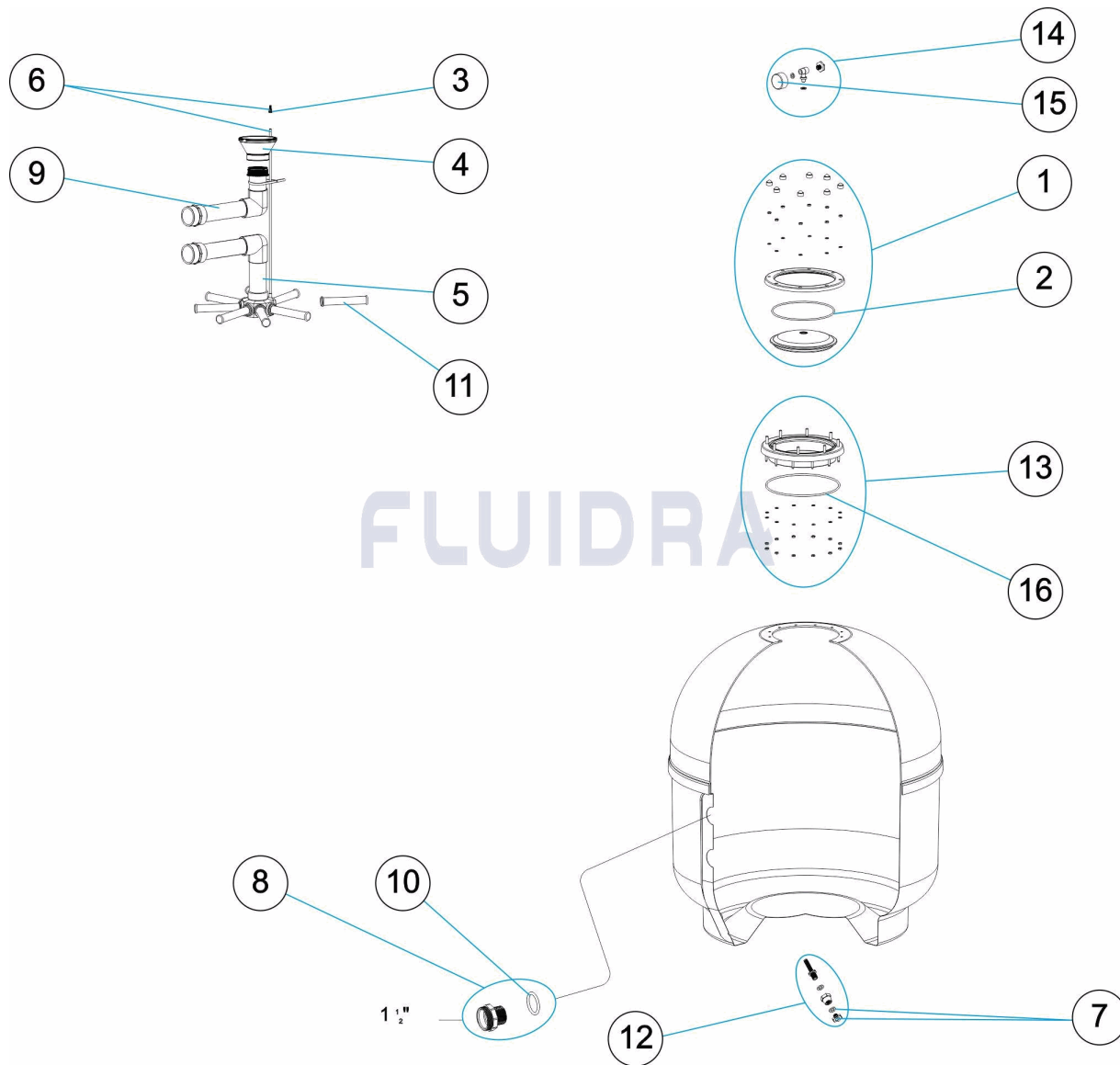


CODIGO **SPHS520, SPHS640**

DESCRIPCION: **FILTRO SIDE CON VALVULA HS. D. 520, 640 1 1/2" AMARILL "**



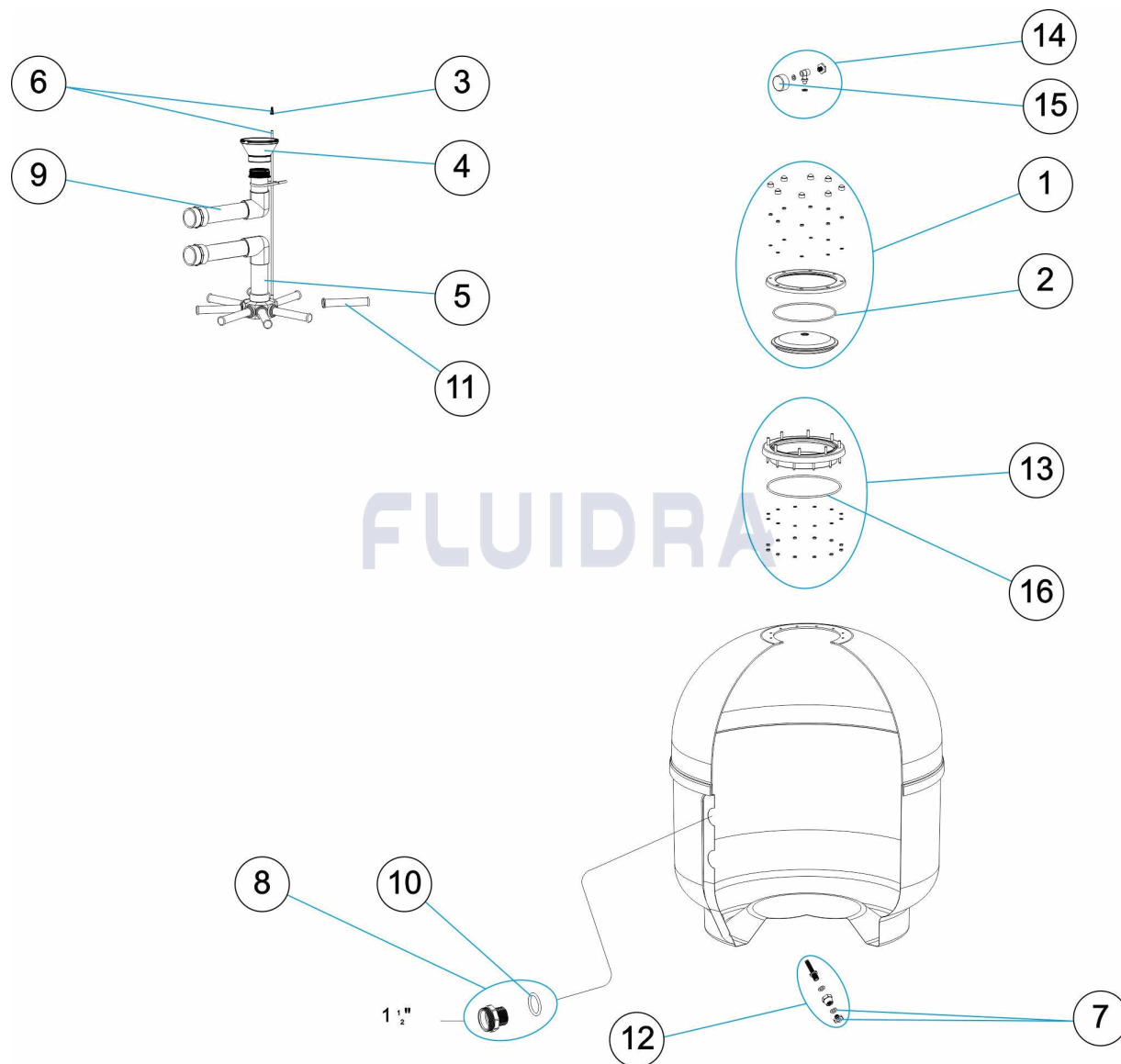
ESPAÑOL

POS	CODIGO	DESCRIPCION	CANTIDAD	POS	CODIGO	DESCRIPCION	CANTIDAD
1	CE04300601	TAPA FILTRO + JUNTA + TUERCAS		9	* CE04300611	CJTO. DIFUSOR 640	
2	CE04260106	JUNTA ARO FIJACION VALVULA		10	CE04040115	JUNTA TORICA D. 60X8	
3	CE04040108	PURGA AIRE		11	* CE04300917	BRAZO COLECTOR 1" 110 M "	
4	CE04301004	CONO DIFUSOR D.50		11	* CE04300915	BRAZO COLECTOR 1" 175 M "	
5	* CE04302217	CJTO. COLECTOR 520 1"		12	CE04010108	PURGA AGUA 3/8"	
5	* CE04302218	CJTO. COLECTOR 640 1"		13	CE04300615	ARO CUELLO 20 TORNILLOS	
6	CE04301003	PURGA AIRE + TUBO L=670		14	CE04180404	MANOMETRO COMPLETO	
7	CE04040113	TAPON PURGA Y JUNTA		15	CE04180405	MANOMETRO 1/8" 3 KG/C "	
8	CE04300609	RACORD + JUNTA		16	CE04020116	JUNTA TORICA 255X4	
9	* CE04300610	CJTO. DIFUSOR 520					

CODIGO **SPHS520, SPHS640**DESCRIPCION: **FILTRO SIDE CON VALVULA HS. D. 520, 640 1 ½" AMARILL "****OBSERVACIONES**

POS	CODIGO	OBSERVACIONES
5	*CE04302217	PARA: SPHS520
5	*CE04302218	PARA: SPHS640
9	*CE04300610	PARA: SPHS520
9	*CE04300611	PARA: SPHS640
11	*CE04300917	PARA: SPHS520 [4UNIDADES]
11	*CE04300915	PARA: SPHS640 [4UNIDADES]

CODE **SPHS520, SPHS640**

 DESCRIPTION: **FILTRE SIDE AVEC VANNE HS. D. 520, 640 1 1/2" JAUN "**

FRANCAIS

POS	CODE	DESCRIPTION	QUANTITE	POS	CODE	DESCRIPTION	QUANTITE
1	CE04300601	COUVERCLE DE FILTRE + JOINT + ECROL		9	* CE04300611	ENSEMBLE DIFFUSEUR 640	
2	CE04260106	JOINT BRIDE FIXATION VANNE TOP		10	CE04040115	JOINT TORIQUE D 60X8	
3	CE04040108	PURGE D'AIR		11	* CE04300917	BRAS DE REPARTITEUR 1" 110 M "	
4	CE04301004	DIFUSOR CONIQUE SUPÉRIOR D. 50		11	* CE04300915	BRAS DE REPARTITEUR 1" 175 M "	
5	* CE04302217	ENSEMBLE COLLECTEUR 520 1"		12	CE04010108	PURGE D'EAU 3/8"	
5	* CE04302218	ENSEMBLE COLLECTEUR 640 1"		13	CE04300615	BRIDE GORGE 20 VIS	
6	CE04301003	PURGE AIR + TUBE L=670		14	CE04180404	MANOMETRE COMPLET	
7	CE04040113	BOUCHON PURGE ET JOINT		15	CE04180405	MANOMETRE 1/8" 3 KG./C "	
8	CE04300609	RACCORD + JOINT		16	CE04020116	JOINT TORIQUE 255X4	
9	* CE04300610	ENSEMBLE DIFFUSEUR 520					

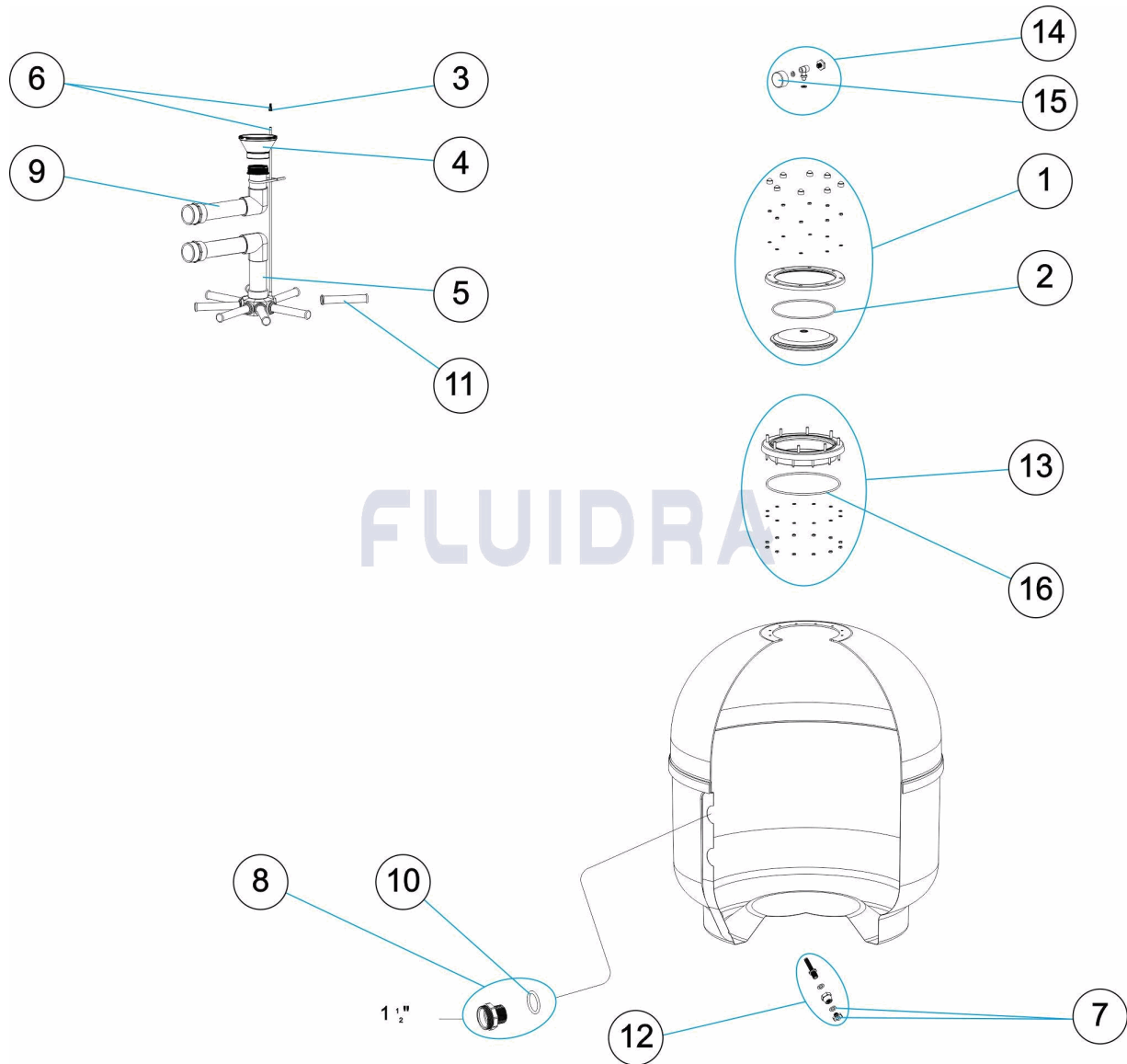
CODE **SPHS520, SPHS640**DESCRIPTION: **FILTRE SIDE AVEC VANNE HS. D. 520, 640 1 1/2" JAUN "**

OBSERVATIONS

POS	CODE	OBSERVATIONS
5	*CE04302217	POUR: SPHS520
5	*CE04302218	POUR: SPHS640
9	*CE04300610	POUR: SPHS520
9	*CE04300611	POUR: SPHS640
11	*CE04300917	POUR: SPHS520 [4UT]
11	*CE04300915	POUR: SPHS640 [4UT]

CODE **SPHS520, SPHS640**

DESCRIPTION: **SIDE FILTER WITH YELLOW HS. D. 520, 640 1 1/2" VALV "**



ENGLISH

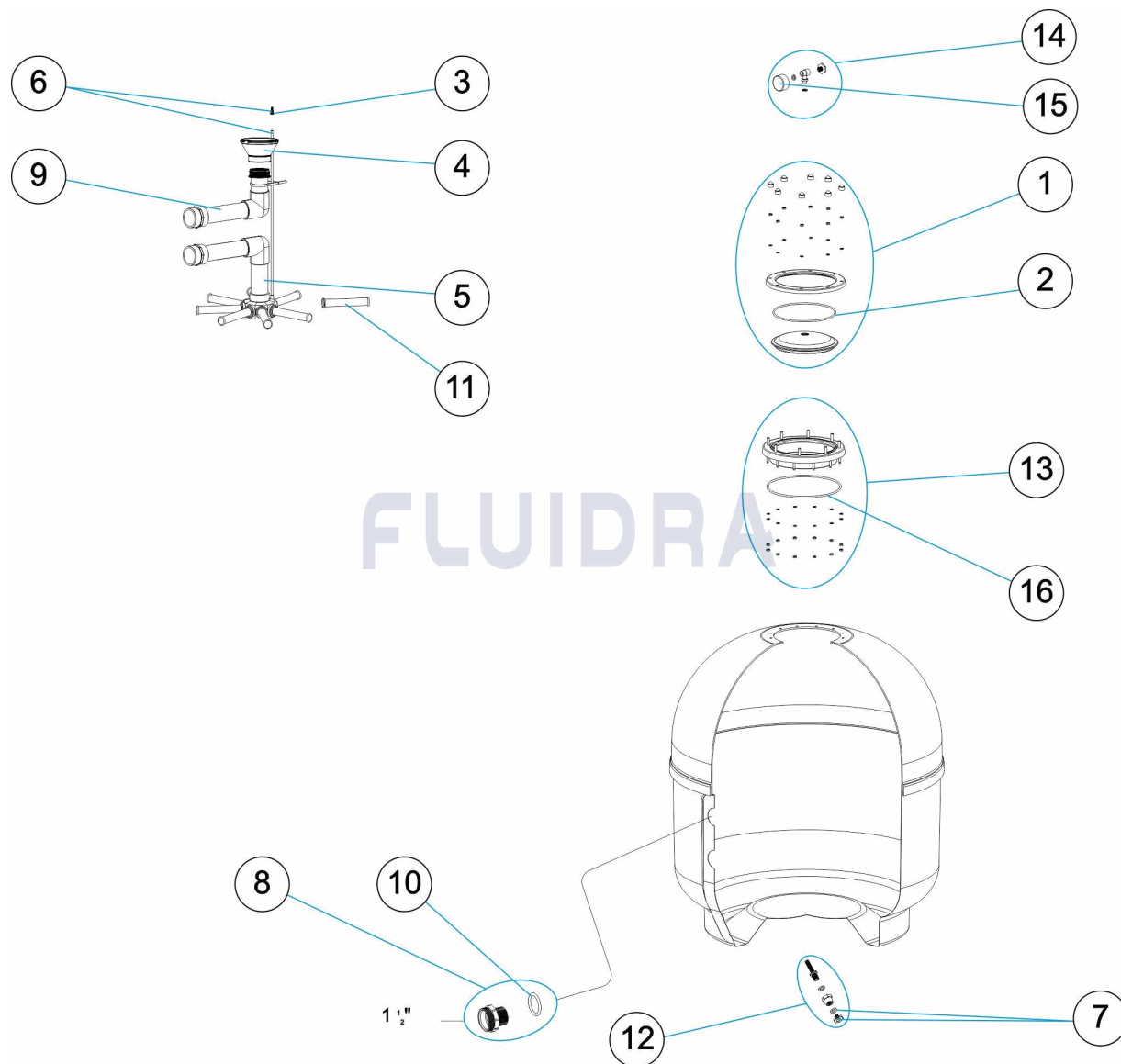
POS	CODE	DESCRIPTION	QUANTITY	POS	CODE	DESCRIPTION	QUANTITY
1	CE04300601	FILTER LID + SEAL + NUTS		9	* CE04300611	DIFFUSER ASSEMBLY 640	
2	CE04260106	VALVE TOP RING FIXING GASKET		10	CE04040115	O' RING D. 60X8	
3	CE04040108	AIR PURGE		11	* CE04300917	MANIFOLD ARM 1" 110 M "	
4	CE04301004	DIFFUSER CONE D. 50		11	* CE04300915	MANIFOLD ARM 1" 175 M "	
5	* CE04302217	MANIFOLD ASSEMBLY 520 1"		12	CE04010108	WATER PURGE 3/8"	
5	* CE04302218	MANIFOLD ASSEMBLY 640 1"		13	CE04300615	20-SCREW NECK RING	
6	CE04301003	AIR PURGE + PIPE L=670		14	CE04180404	COMPLETE PRESSURE GAUGE UNIT	
7	CE04040113	DRAIN PLUG AND GASKET		15	CE04180405	PRESSURE GAUGE 1/8" 3 KG./C "	
8	CE04300609	FITTING + GASKET		16	CE04020116	O' RING 255X4	
9	* CE04300610	DIFFUSER ASSEMBLY 520					

CODE **SPHS520, SPHS640**DESCRIPTION: **SIDE FILTER WITH YELLOW HS. D. 520, 640 1 1/2" VALV "**

OBSERVATIONS

POS	CODE	OBSERVATIONS
5	*CE04302217	FOR: SPHS520
5	*CE04302218	FOR: SPHS640
9	*CE04300610	FOR: SPHS520
9	*CE04300611	FOR: SPHS640
11	*CE04300917	FOR: SPHS520 [4UT]
11	*CE04300915	FOR: SPHS640 [4UT]

CODICE **SPHS520, SPHS640**

 DESCRIZIONE: **FILTRO SIDE CON VALVOLA HS. D. 520, 640 1 1/2" GIALL "**

ITALIANO

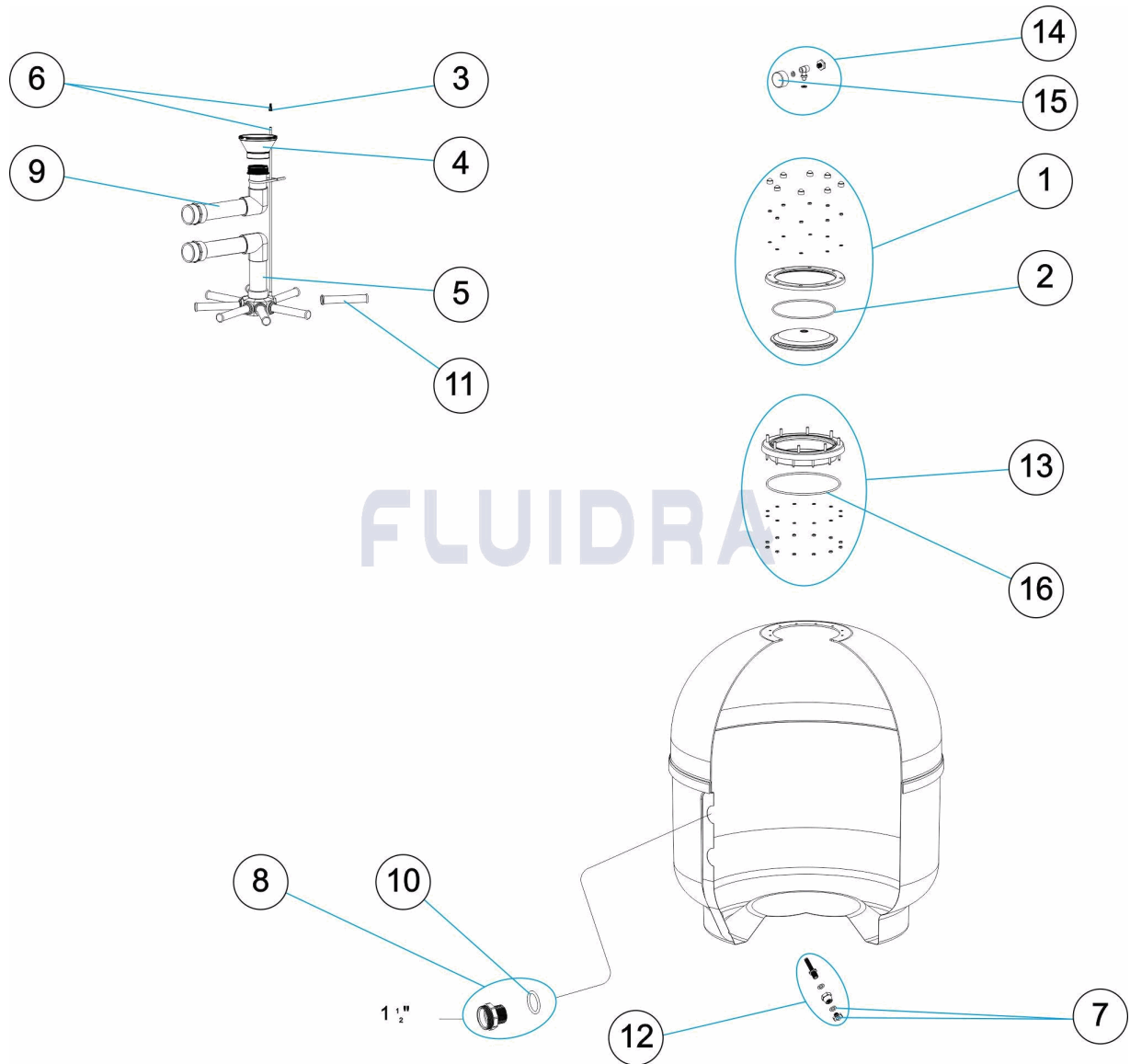
POS	CODICE	DESCRIZIONE	QUANTITA'	POS	CODICE	DESCRIZIONE	QUANTITA'
1	CE04300601	COPERCHIO FILTRO + GUARNIZIONE + GI		9	* CE04300611	RACCORDO DIFFUSORE 640	
2	CE04260106	GUARNIZIONE FLANGIA FISSAGGIO VALVOL		10	CE04040115	O-RING D 60X8	
3	CE04040108	SFIATO ARIA		11	* CE04300917	CANDELOTTO COLLECTORE 1" 110 M "	
4	CE04301004	CONO DIFFUSORE D. 50		11	* CE04300915	CANDELOTTO COLLECTORE 1" 175 M "	
5	* CE04302217	KIT COLLETTORE 520 1"		12	CE04010108	SCARICO ACQUA 3/8"	
5	* CE04302218	KIT COLLETTORE 640 1"		13	CE04300615	ANELLO COLLO 20 VITI	
6	CE04301003	SPURGO ARIA + TUBO L=670		14	CE04180404	MANOMETRO COMPLETO	
7	CE04040113	TAPPO SPURGO E GUARNIZIONE		15	CE04180405	MANOMETRO 1/8" 3 KG./C "	
8	CE04300609	RACCORDO + GUARNIZIONE		16	CE04020116	O-RING 255X4	
9	* CE04300610	RACCORDO DIFFUSORE 520					

CODICE **SPHS520, SPHS640**DESCRIZIONE: **FILTRO SIDE CON VALVOLA HS. D. 520, 640 1 1/2" GIALLO "**

OSSERVAZIONI

POS	CODICE	OSSERVAZIONI
5	*CE04302217	PER: SPHS520
5	*CE04302218	PER: SPHS640
9	*CE04300610	PER: SPHS520
9	*CE04300611	PER: SPHS640
11	*CE04300917	PER: SPHS520 [4UT]
11	*CE04300915	PER: SPHS640 [4UT]

CODE **SPHS520, SPHS640**

 BESCHREIBUNG: **FILTER SIDE MIT VENTIL HS. D. 520, 640 1 1/2" GEL "**

DEUTSCH

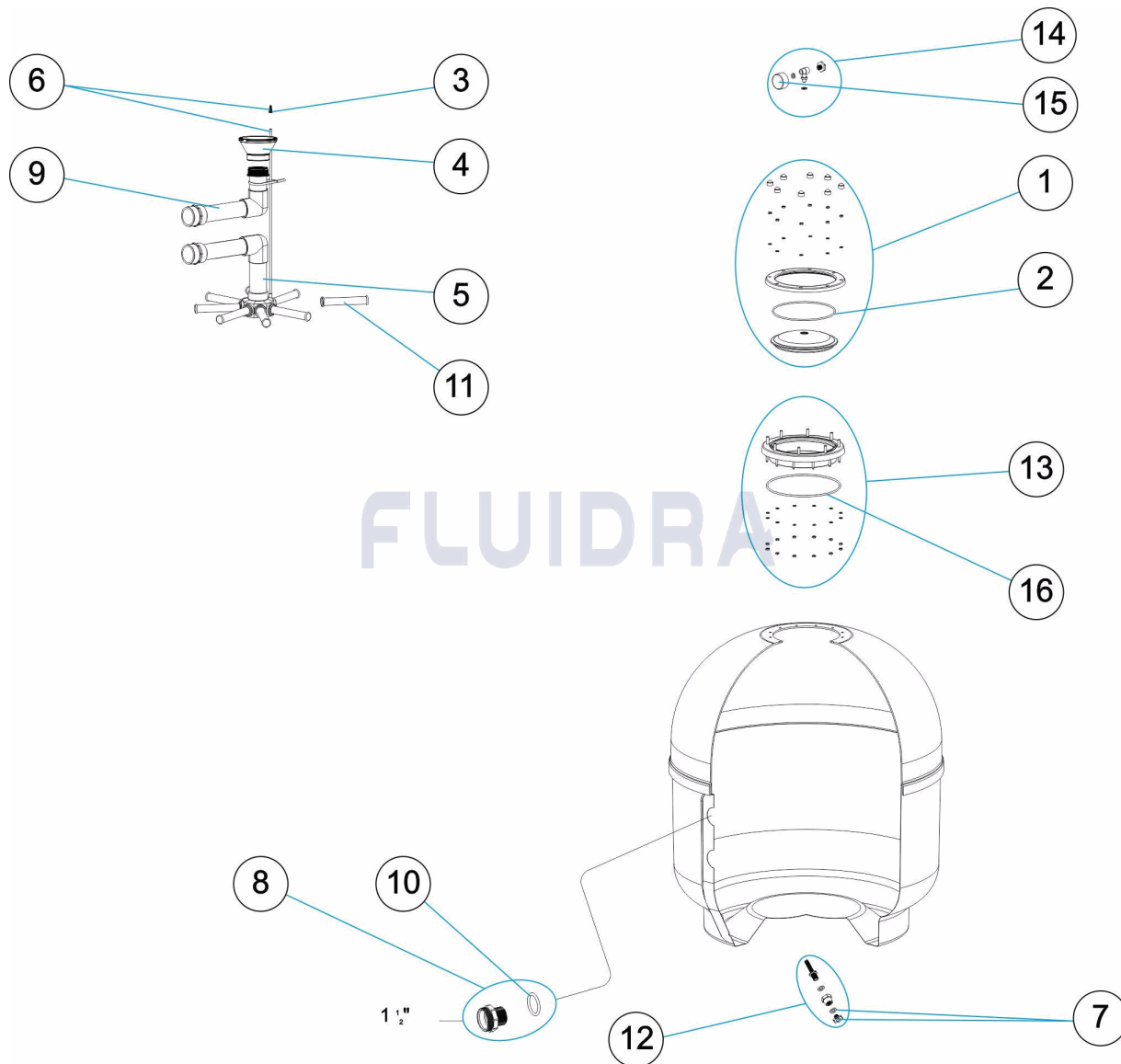
POS	CODE	BESCHREIBUNG	MENGE	POS	CODE	BESCHREIBUNG	MENGE
1	CE04300601	FILTERDECKEL, DICHTUNG UND MUTTER!		9	* CE04300611	SET WASSERVERTEILER 640	
2	CE04260106	DICHTUNG FIXIERRING VENTIL		10	CE04040115	O-RING D. 60 X 8	
3	CE04040108	ENTLÜFTUNG		11	* CE04300917	FILTERSTERN-SCHLITZROHR 1" 110 M "	
4	CE04301004	KEGEL WASSERVERTEILER D. 50		11	* CE04300915	FILTERSTERN-SCHLITZROHR 1" 175 M "	
5	* CE04302217	SAMMELROHRSET 520 1"		12	CE04010108	WASSERABLASS 3/8"	
5	* CE04302218	SAMMELROHRSET 640 1"		13	CE04300615	FILTERRING 20 SCHRAUBEN	
6	CE04301003	ENTLÜFTUNG UND ROHR L=670		14	CE04180404	MANOMETER KOMPLETT	
7	CE04040113	ABLASSSTOPFEN UND DICHTUNG		15	CE04180405	MANOMETER 1/8" 3 KG/C "	
8	CE04300609	GEWINDESTÜCK UND DICHTUNG		16	CE04020116	O-RING 255 X 4	
9	* CE04300610	SET WASSERVERTEILER 520					

CODE **SPHS520, SPHS640**BESCHREIBUNG: **FILTER SIDE MIT VENTIL HS. D. 520, 640 1 1/2" GEL "**

HINWEISE

POS	CODE	HINWEISE
5	*CE04302217	FÜR: SPHS520
5	*CE04302218	FÜR: SPHS640
9	*CE04300610	FÜR: SPHS520
9	*CE04300611	FÜR: SPHS640
11	*CE04300917	FÜR: SPHS520 [4UT]
11	*CE04300915	FÜR: SPHS640 [4UT]

CODIGO **SPHS520, SPHS640**

 DESCRIÇÃO: **FILTRO SIDE COM VÁLVULA HS. D. 520, 640 1 1/2" AMAREL "**


PORTUGUES

POS	CODIGO	DESCRIÇÃO	JANTIDADE	POS	CODIGO	DESCRIÇÃO	JANTIDADE
1	CE04300601	TAMPA FILTRO + JUNTA		9	* CE04300611	CJTO. DIFUSOR 640	
2	CE04260106	JUNTA ARO FIXAÇÃO VALVULA TOP		10	CE04040115	JUNTA TÓRICA D 60X8	
3	CE04040108	PURGA AREIA		11	* CE04300917	BRAÇO COLECTOR 1" 110 M "	
4	CE04301004	CONO DIFUSOR D. 50		11	* CE04300915	BRAÇO COLECTOR 1" 175 M "	
5	* CE04302217	CJTO. COLECTOR 520 1"		12	CE04010108	PURGA AGUA 3/8"	
5	* CE04302218	CJTO. COLECTOR 640 1"		13	CE04300615	ARO PESCOCOÇO 20 PARAFUSOS	
6	CE04301003	PURGA AR + TUBO L=670		14	CE04180404	MANÓMETRO COMPLETO	
7	CE04040113	TAMPÃO PURGA E JUNTA		15	CE04180405	MANOMETRO 1/8" 3 KG./C "	
8	CE04300609	ACOPLADOR E JUNTA		16	CE04020116	JUNTA TÓRICA 255X4	
9	* CE04300610	CJTO. DIFUSOR 520					

CODIGO **SPHS520, SPHS640**DESCRIÇÃO: **FILTRO SIDE COM VÁLVULA HS. D. 520, 640 1 1/2" AMAREL "****OBSERVAÇÕES**

POS	CODIGO	OBSERVAÇÕES
5	*CE04302217	PARA: SPHS520
5	*CE04302218	PARA: SPHS640
9	*CE04300610	PARA: SPHS520
9	*CE04300611	PARA: SPHS640
11	*CE04300917	PARA: SPHS520 [4UT]
11	*CE04300915	PARA: SPHS640 [4UT]