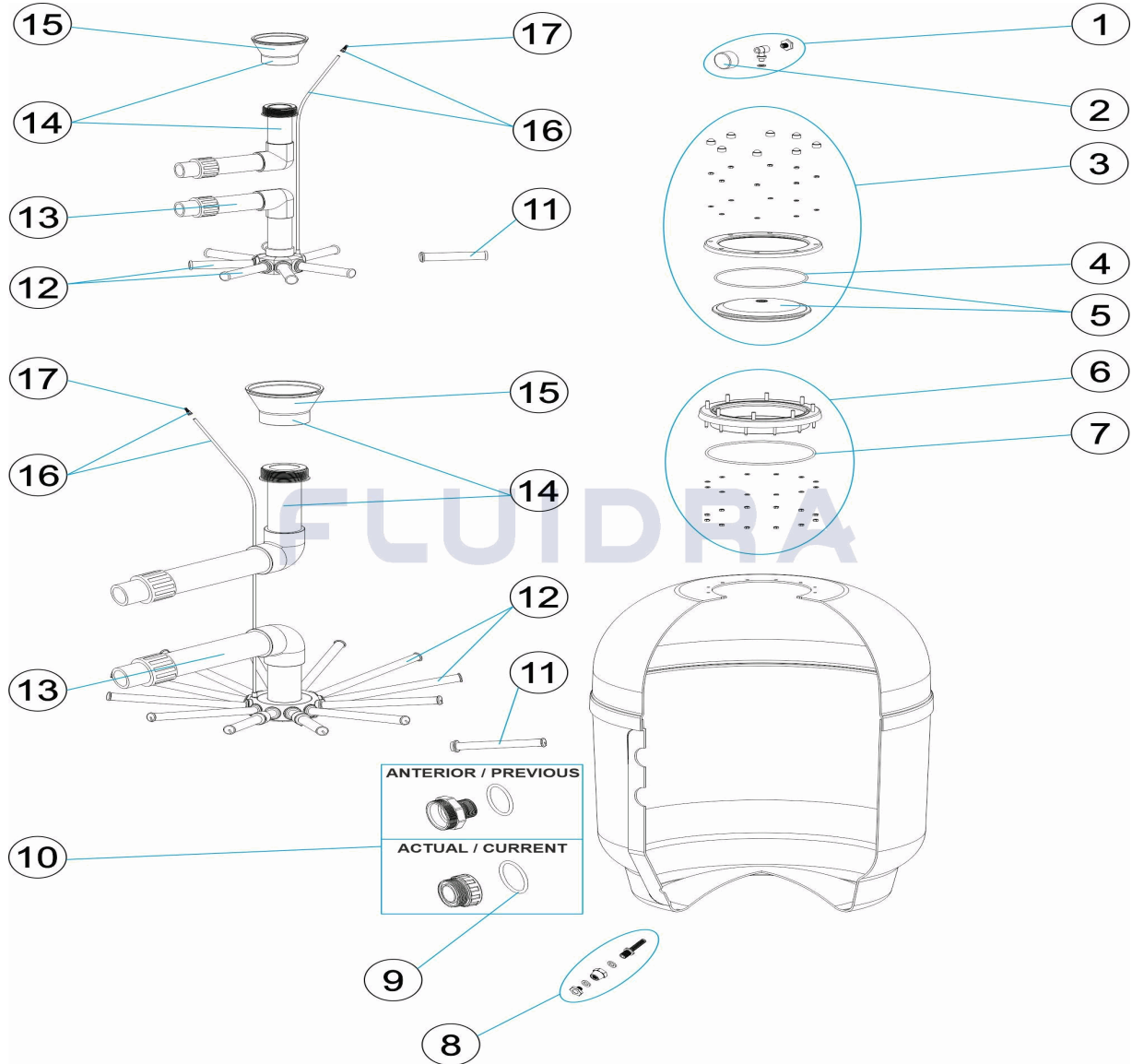


CODIGO **EHS520V, EHS640V, EHS760V, EHS900V**

 DESCRIPCION: **FILTRO LAMINADO TAPA TORNILLOS LATERAL**

ESPAÑOL

POS	CODIGO	DESCRIPCION	CANTIDAD	POS	CODIGO	DESCRIPCION	CANTIDAD
1	CE04180404	MANOMETRO COMPLETO		11	* CE04300916	BRAZO COLECTOR 1" 225 M "	
2	CE04180405	MANOMETRO 1/8" 3 KG/C "		11	* CE04290109	BRAZO COLECTOR 1" 265 M "	
3	CE04302201	TAPA FILTRO + JUNTA + TUERCAS		12	* CE04010025	CJTO. BRAZOS COLECTOR D. 400	
4	CE04260106	JUNTA ARO FIJACION VALVULA		12	* CE04010026	CJTO. BRAZOS COLECTOR	
5	CE04010292	TAPA BLANCA D. 220 + JUNTA		12	* CE04010028	CJTO. BRAZOS COLECTOR D. 650	
6	CE04300615	ARO CUELLO 20 TORNILLOS		12	* CE04010048	CJTO. BRAZOS COLECTOR D. 750	
7	CE04020116	JUNTA TORICA 255X4		13	* CE04302217	CJTO. COLECTOR 520 1"	
8	CE04010108	PURGA AGUA 3/8"		13	* CE04302218	CJTO. COLECTOR 640 1"	
9	CE04040115	JUNTA TORICA D. 60X8		13	* CE04302219	CJTO. COLECTOR 760 1"	
10	* CE04300609	RACORD + JUNTA		13	* CE04302220	CJTO. COLECTOR 900 1"	
10	* CE04300709	RACORD 2" + JUNT "		14	* CE04300610	CJTO. DIFUSOR 520	
10	* CE04230107	RACORD 1 1/2" + JUNTA TORIC "		14	* CE04300611	CJTO. DIFUSOR 640	
10	* CE04302131	RACORD 2" + JUNT "		14	* CE04300710	CJTO. DIFUSOR 760	

* NOTA OBSERVACIONES

CODIGO **EHS520V, EHS640V, EHS760V, EHS900V**DESCRIPCION: **FILTRO LAMINADO TAPA TORNILLOS LATERAL**

11	* CE04300917	BRAZO COLECTOR 1" 110 M "	14	* CE04300711	CJTO. DIFUSOR 900
11	* CE04300915	BRAZO COLECTOR 1" 175 M "	15	* CE04301004	CONO DIFUSOR D.50
15	* CE04300910	CONO DIFUSOR D. 63	16	* CE04300903	TUBO PVC RIGIDO L, 1120 MM
16	* CE04301003	PURGA AIRE + TUBO L=670	17	CE04040108	PURGA AIRE

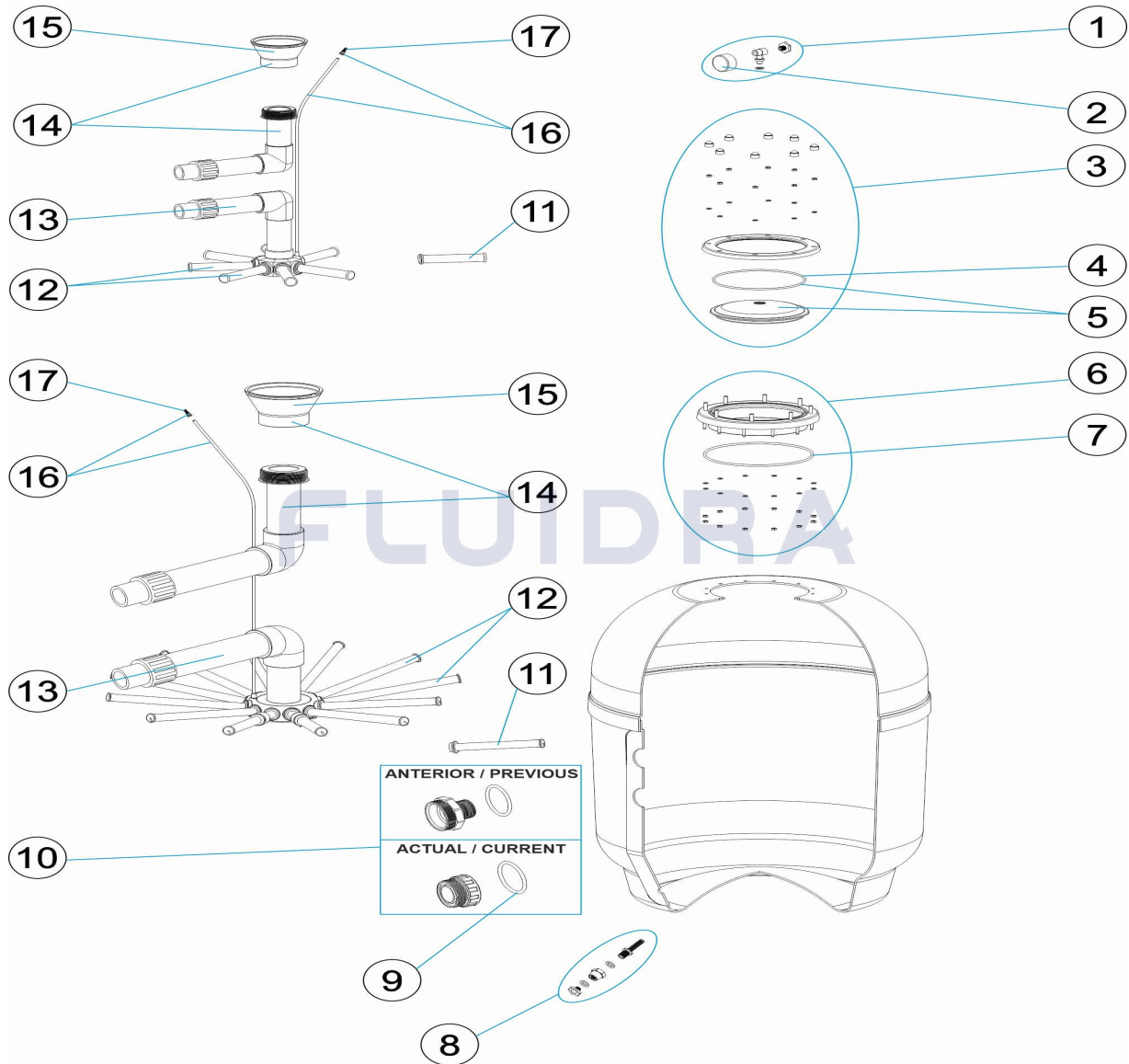
CODIGO **EHS520V, EHS640V, EHS760V, EHS900V**

DESCRIPCION: **FILTRO LAMINADO TAPA TORNILLOS LATERAL**

OBSERVACIONES

POS	CODIGO	OBSERVACIONES
10	*CE04300609	PARA: EHS520V, EHS640V OLD MODEL
10	*CE04300709	PARA: EHS760V, EHS900V OLD MODEL
10	*CE04230107	PARA: EHS520V, EHS640V CURRENT MODEL
10	*CE04302131	PARA: EHS760V, EHS900V CURRENT MODEL
11	*CE04300917	PARA: EHS520V [4UNIDADES]
11	*CE04300915	PARA: EHS640V [4UNIDADES]
11	*CE04300916	PARA: EHS760V [6UNIDADES]
11	*CE04290109	PARA: EHS900V [6UNIDADES]
12	*CE04010025	PARA: EHS520V
12	*CE04010026	PARA: EHS640V
12	*CE04010028	PARA: EHS760V
12	*CE04010048	PARA: EHS900V
13	*CE04302217	PARA: EHS520V
13	*CE04302218	PARA: EHS640V
13	*CE04302219	PARA: EHS760V
13	*CE04302220	PARA: EHS900V
14	*CE04300610	PARA: EHS520V
14	*CE04300611	PARA: EHS640V
14	*CE04300710	PARA: EHS760V
14	*CE04300711	PARA: EHS900V
15	*CE04301004	PARA: EHS520V, EHS640V
15	*CE04300910	PARA: EHS760V, EHS900V
16	*CE04301003	PARA: EHS520V, EHS640V
16	*CE04300903	PARA: EHS760V, EHS900V

CODE **EHS520V, EHS640V, EHS760V, EHS900V**

 DESCRIPTION: **ÉCLATÉ COUVERCLE VIS LATÉRALES**


FRANCAIS

POS	CODE	DESCRIPTION	QUANTITE	POS	CODE	DESCRIPTION	QUANTITE
1	CE04180404	MANOMETRE COMPLET		11	* CE04300916	BRAS DE REPARTITEUR 1" 225 M "	
2	CE04180405	MANOMETRE 1/8" 3 KG./C "		11	* CE04290109	BRAS DE REPARTITEUR 1" 265 M/M "	
3	CE04302201	COUVERCLE DE FILTRE + JOINT + ECROL		12	* CE04010025	ENSEMBLE BRAS DE REPARTITEUR D. 400	
4	CE04260106	JOINT BRIDE FIXATION VANNE TOP		12	* CE04010026	ENSEMBLE BRAS DE REPARTITEUR	
5	CE04010292	COUVERCLE BLANC D.220 + JOINT		12	* CE04010028	ENSEMBLE BRAS DE REPARTITEUR D. 650	
6	CE04300615	BRIDE GORGE 20 VIS		12	* CE04010048	ENSEMBLE BRAS DE REPARTITEUR D. 750	
7	CE04020116	JOINT TORIQUE 255X4		13	* CE04302217	ENSEMBLE COLLECTEUR 520 1"	
8	CE04010108	PURGE D'EAU 3/8"		13	* CE04302218	ENSEMBLE COLLECTEUR 640 1"	
9	CE04040115	JOINT TORIQUE D 60X8		13	* CE04302219	ENSEMBLE COLLECTEUR 760 1"	
10	* CE04300609	RACCORD + JOINT		13	* CE04302220	ENSEMBLE COLLECTEUR 900 1"	
10	* CE04300709	RACCORD 2" + JOIN "		14	* CE04300610	ENSEMBLE DIFFUSEUR 520	
10	* CE04230107	RACCORD 1 1/2' + JOINT		14	* CE04300611	ENSEMBLE DIFFUSEUR 640	
10	* CE04302131	RACCORD 2" + JOIN "		14	* CE04300710	ENSEMBLE DIFFUSEUR 760	

* VOIR FICHE D'OBSERVATIONS

CODE **EHS520V, EHS640V, EHS760V, EHS900V**DESCRIPTION: **ÉCLATÉ COUVERCLE VIS LATÉRALES**

11	* CE04300917	BRAS DE REPARTITEUR 1" 110 M "	14	* CE04300711	ENSEMBLE DIFFUSEUR 900
11	* CE04300915	BRAS DE REPARTITEUR 1" 175 M "	15	* CE04301004	DIFUSOR CONIQUE SUPÉRIOR D. 50
15	* CE04300910	DIFUSOR CONIQUE SUPÉRIOR D. 63	16	* CE04300903	TUBE PVC RIGIDE L, 1120 MM
16	* CE04301003	PURGE AIR + TUBE L=670	17	CE04040108	PURGE D'AIR

CODE **EHS520V, EHS640V, EHS760V, EHS900V**

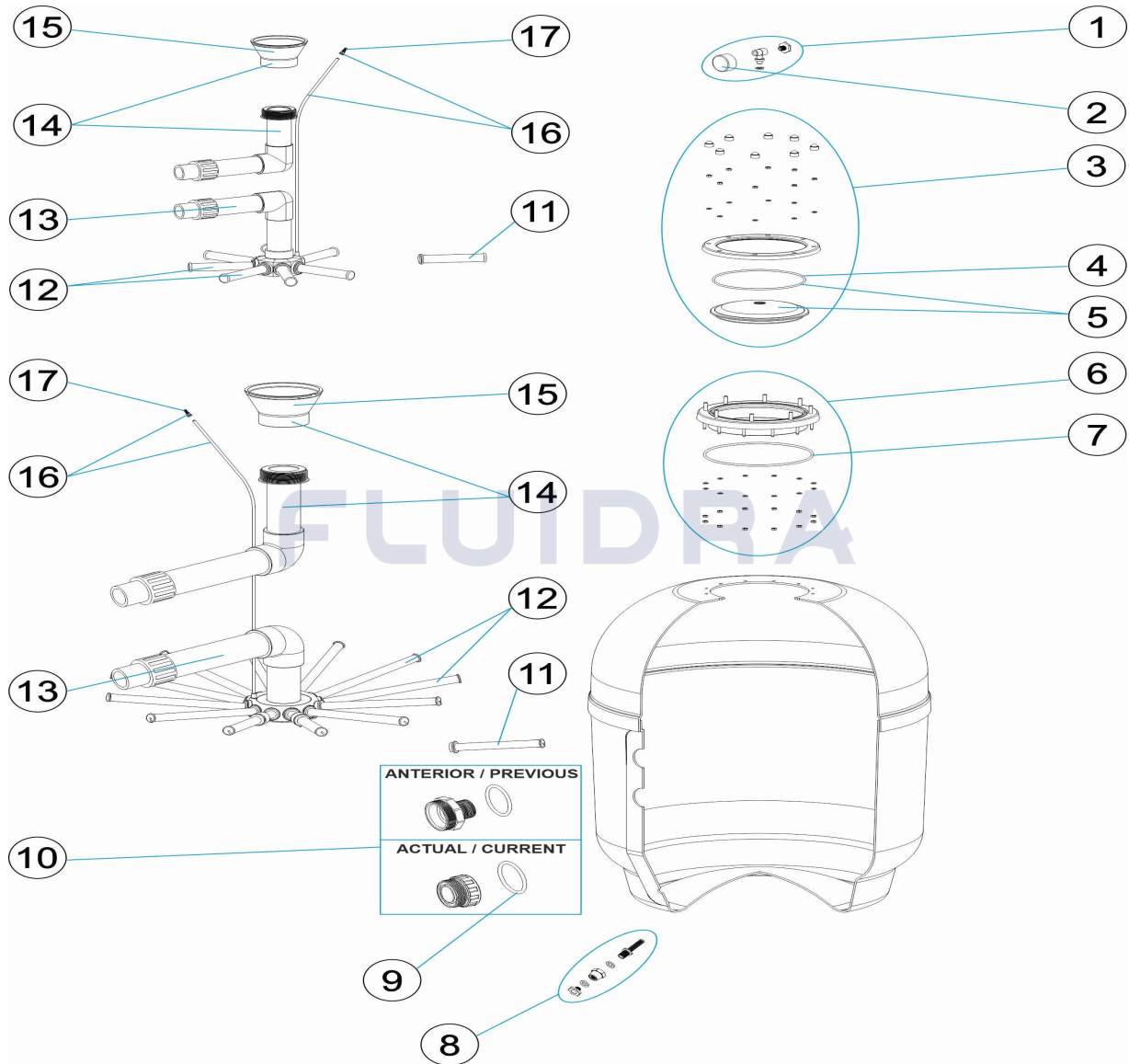
DESCRIPTION: **ÉCLATÉ COUVERCLE VIS LATÉRALES**

OBSERVATIONS

POS	CODE	OBSERVATIONS
10	*CE04300609	POUR: EHS520V, EHS640V OLD MODEL
10	*CE04300709	POUR: EHS760V, EHS900V OLD MODEL
10	*CE04230107	POUR: EHS520V, EHS640V CURRENT MODEL
10	*CE04302131	POUR: EHS760V, EHS900V CURRENT MODEL
11	*CE04300917	POUR: EHS520V [4UT]
11	*CE04300915	POUR: EHS640V [4UT]
11	*CE04300916	POUR: EHS760V [6UT]
11	*CE04290109	POUR: EHS900V [6UT]
12	*CE04010025	POUR: EHS520V
12	*CE04010026	POUR: EHS640V
12	*CE04010028	POUR: EHS760V
12	*CE04010048	POUR: EHS900V
13	*CE04302217	POUR: EHS520V
13	*CE04302218	POUR: EHS640V
13	*CE04302219	POUR: EHS760V
13	*CE04302220	POUR: EHS900V
14	*CE04300610	POUR: EHS520V
14	*CE04300611	POUR: EHS640V
14	*CE04300710	POUR: EHS760V
14	*CE04300711	POUR: EHS900V
15	*CE04301004	POUR: EHS520V, EHS640V
15	*CE04300910	POUR: EHS760V, EHS900V
16	*CE04301003	POUR: EHS520V, EHS640V
16	*CE04300903	POUR: EHS760V, EHS900V

CODE EHS520V, EHS640V, EHS760V, EHS900V

DESCRIPTION: PARTS BREAKDOWN COVER SCREWS SIDE



ENGLISH

POS	CODE	DESCRIPTION	QUANTITY	POS	CODE	DESCRIPTION	QUANTITY
1	CE04180404	COMPLETE PRESSURE GAUGE UNIT		11	* CE04300916	MANIFOLD ARM 1" 225 M "	
2	CE04180405	PRESSURE GAUGE 1/8" 3 KG./C "		11	* CE04290109	COLLECTOR ARM 1" 265 M "	
3	CE04302201	FILTER LID + SEAL + NUTS		12	* CE04010025	MANIFOLD ARM ASSEMBLY D. 400	
4	CE04260106	VALVE TOP RING FIXING GASKET		12	* CE04010026	MANIFOLD ARM ASSEMBLY	
5	CE04010292	WHITE LID D.220 + 'O' RING		12	* CE04010028	MANIFOLD ARM ASSEMBLY D. 650	
6	CE04300615	20-SCREW NECK RING		12	* CE04010048	MANIFOLD ARM ASSEMBLY D. 750	
7	CE04020116	O' RING 255X4		13	* CE04302217	MANIFOLD ASSEMBLY 520 1"	
8	CE04010108	WATER PURGE 3/8"		13	* CE04302218	MANIFOLD ASSEMBLY 640 1"	
9	CE04040115	O' RING D. 60X8		13	* CE04302219	MANIFOLD ASSEMBLY 760 1"	
10	* CE04300609	FITTING + GASKET		13	* CE04302220	MANIFOLD ASSEMBLY 900 1"	
10	* CE04300709	FITTING 2" + GASKE "		14	* CE04300610	DIFFUSER ASSEMBLY 520	
10	* CE04230107	1 1/2' FITTING + GASKET		14	* CE04300611	DIFFUSER ASSEMBLY 640	
10	* CE04302131	FITTING 2" + GASKE "		14	* CE04300710	DIFFUSER ASSEMBLY 760	

* SEE OBSERVATIONS SHEET



PARTS BREAKDOWN

REV.: 5
DATE: 13/05/2024
SHEET: 2/3

685

CODE **EHS520V, EHS640V, EHS760V, EHS900V**

DESCRIPTION: **PARTS BREAKDOWN COVER SCREWS SIDE**

11	* CE04300917	MANIFOLD ARM 1" 110 M "	14	* CE04300711	DIFFUSER ASSEMBLY 900
11	* CE04300915	MANIFOLD ARM 1" 175 M "	15	* CE04301004	DIFFUSER CONE D. 50
15	* CE04300910	DIFFUSER CONE D. 63	16	* CE04300903	RIGID PVC PIPE L-1120 MM
16	* CE04301003	AIR PURGE + PIPE L=670	17	CE04040108	AIR PURGE

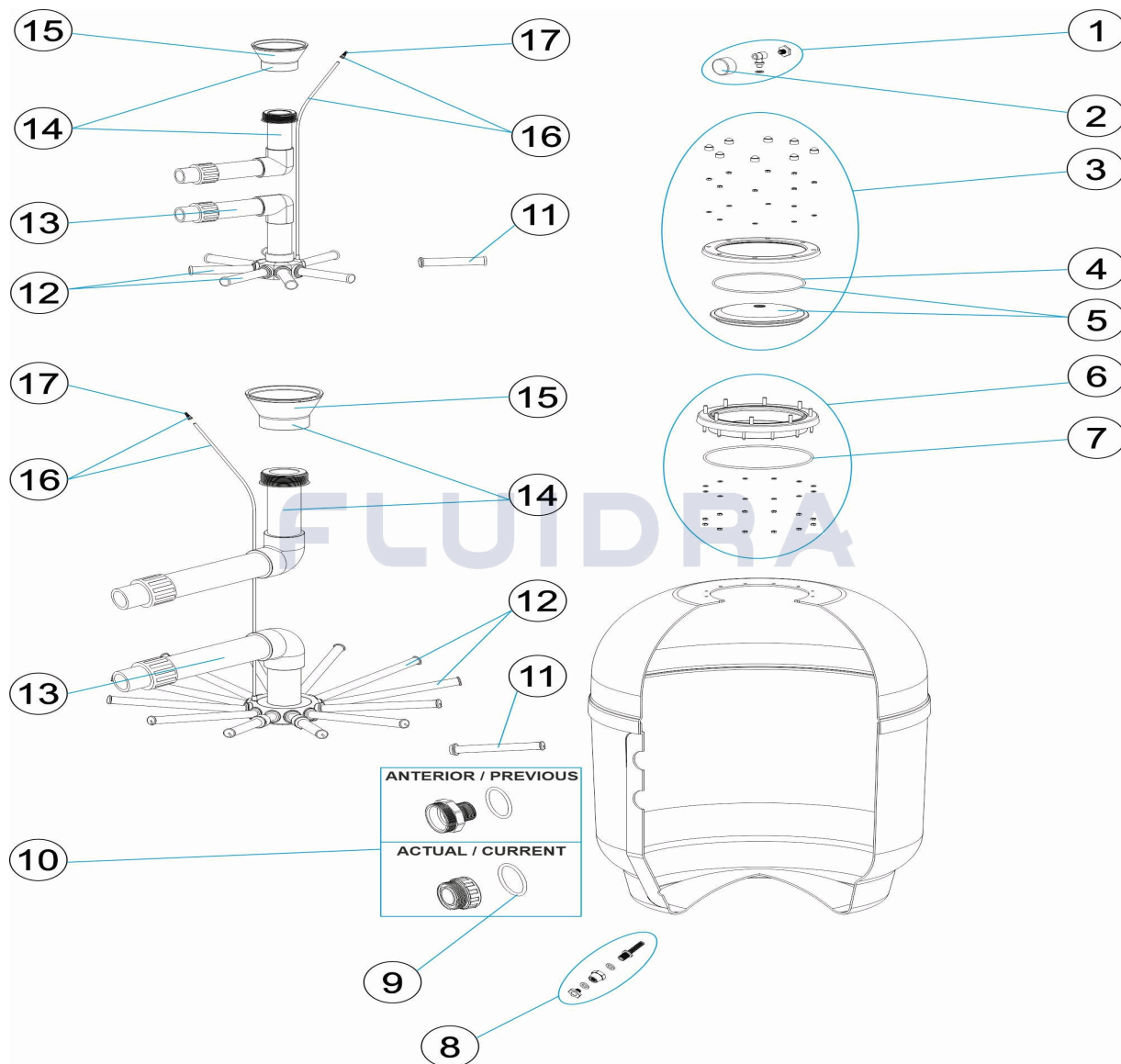
CODE **EHS520V, EHS640V, EHS760V, EHS900V**

DESCRIPTION: **PARTS BREAKDOWN COVER SCREWS SIDE**

OBSERVATIONS

POS	CODE	OBSERVATIONS
10	*CE04300609	FOR: EHS520V, EHS640V OLD MODEL
10	*CE04300709	FOR: EHS760V, EHS900V OLD MODEL
10	*CE04230107	FOR: EHS520V, EHS640V CURRENT MODEL
10	*CE04302131	FOR: EHS760V, EHS900V CURRENT MODEL
11	*CE04300917	FOR: EHS520V [4UT]
11	*CE04300915	FOR: EHS640V [4UT]
11	*CE04300916	FOR: EHS760V [6UT]
11	*CE04290109	FOR: EHS900V [6UT]
12	*CE04010025	FOR: EHS520V
12	*CE04010026	FOR: EHS640V
12	*CE04010028	FOR: EHS760V
12	*CE04010048	FOR: EHS900V
13	*CE04302217	FOR: EHS520V
13	*CE04302218	FOR: EHS640V
13	*CE04302219	FOR: EHS760V
13	*CE04302220	FOR: EHS900V
14	*CE04300610	FOR: EHS520V
14	*CE04300611	FOR: EHS640V
14	*CE04300710	FOR: EHS760V
14	*CE04300711	FOR: EHS900V
15	*CE04301004	FOR: EHS520V, EHS640V
15	*CE04300910	FOR: EHS760V, EHS900V
16	*CE04301003	FOR: EHS520V, EHS640V
16	*CE04300903	FOR: EHS760V, EHS900V

CODICE **EHS520V, EHS640V, EHS760V, EHS900V**

 DESCRIZIONE: **PARTI COPERCHIO VITI LATERALI**

ITALIANO

POS	CODICE	DESCRIZIONE	QUANTITA'	POS	CODICE	DESCRIZIONE	QUANTITA'
1	CE04180404	MANOMETRO COMPLETO		11	* CE04300916	CANDELOTTO COLLECTORE 1" 225 M "	
2	CE04180405	MANOMETRO 1/8" 3 KG./C "		11	* CE04290109	CANDELOTTO 1" 265 M/M "	
3	CE04302201	COPERCHIO FILTRO + GUARNIZIONE + GI		12	* CE04010025	GRUPPO CANDELOTTO COLLECTORE D. 4	
4	CE04260106	GUARNIZIONE FLANGIA FISSAGIO VALVOL		12	* CE04010026	GRUPPO CANDELOTTO COLLECTORE	
5	CE04010292	COPERCHIO BIANCO D.220 + O-RING		12	* CE04010028	GRUPPO CANDELOTTO COLLECTORE D. 6	
6	CE04300615	ANELLO COLLO 20 VITI		12	* CE04010048	GRUPPO CANDELOTTO COLLECTORE D. 7	
7	CE04020116	O-RING 255X4		13	* CE04302217	KIT COLLETTORE 520 1"	
8	CE04010108	SCARICO ACQUA 3/8"		13	* CE04302218	KIT COLLETTORE 640 1"	
9	CE04040115	O-RING D 60X8		13	* CE04302219	KIT COLLETTORE 760 1"	
10	* CE04300609	RACCORDO + GUARNIZIONE		13	* CE04302220	KIT COLLETTORE 900 1"	
10	* CE04300709	RACCORDO 2" + GUARNIZION "		14	* CE04300610	RACCORDO DIFFUSORE 520	
10	* CE04230107	RACCORDO 1 1/2' + GUAR.		14	* CE04300611	RACCORDO DIFFUSORE 640	
10	* CE04302131	RACCORDO 2" + GUARNIZION "		14	* CE04300710	RACCORDO DIFFUSORE 760	

* SI FACCIA RIFERIMENTO AL FOGLIO DELLE OSSERVAZIONI

CODICE **EHS520V, EHS640V, EHS760V, EHS900V**DESCRIZIONE: **PARTI COPERCHIO VITI LATERALI**

11	* CE04300917	CANDELOTTO COLLECTORE 1" 110 M "	14	* CE04300711	RACCORDO DIFFUSORE 900
11	* CE04300915	CANDELOTTO COLLECTORE 1" 175 M "	15	* CE04301004	CONO DIFFUSORE D. 50
15	* CE04300910	CONO DIFFUSORE D. 63	16	* CE04300903	TUBO PVC RIGIDO L, 1120 MM
16	* CE04301003	SPURGO ARIA + TUBO L=670	17	CE04040108	SFIATO ARIA

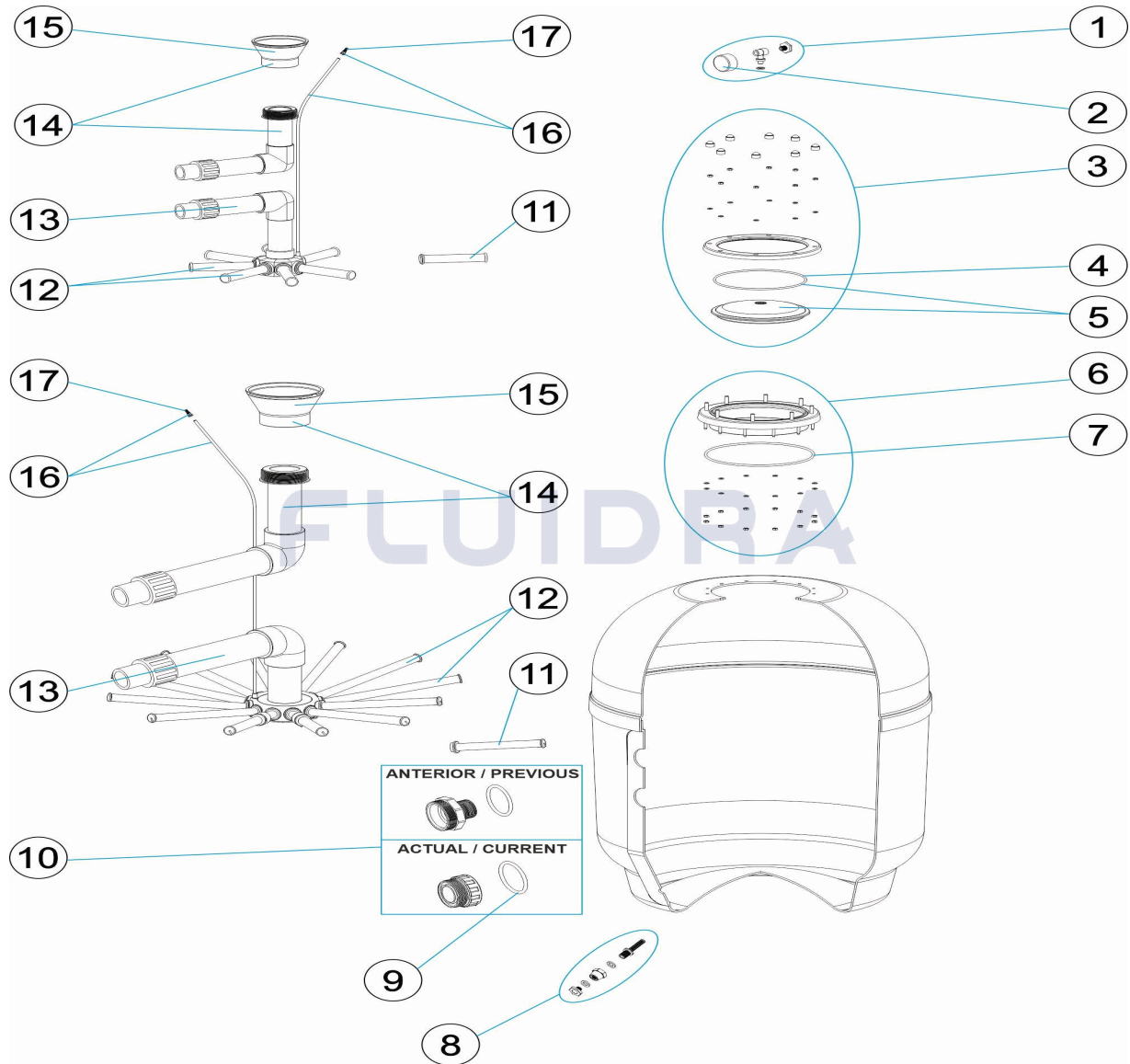
CODICE **EHS520V, EHS640V, EHS760V, EHS900V**DESCRIZIONE: **PARTI COPERCHIO VITI LATERALI**

OSSERVAZIONI

POS	CODICE	OSSERVAZIONI
10	*CE04300609	PER: EHS520V, EHS640V OLD MODEL
10	*CE04300709	PER: EHS760V, EHS900V OLD MODEL
10	*CE04230107	PER: EHS520V, EHS640V CURRENT MODEL
10	*CE04302131	PER: EHS760V, EHS900V CURRENT MODEL
11	*CE04300917	PER: EHS520V [4UT]
11	*CE04300915	PER: EHS640V [4UT]
11	*CE04300916	PER: EHS760V [6UT]
11	*CE04290109	PER: EHS900V [6UT]
12	*CE04010025	PER: EHS520V
12	*CE04010026	PER: EHS640V
12	*CE04010028	PER: EHS760V
12	*CE04010048	PER: EHS900V
13	*CE04302217	PER: EHS520V
13	*CE04302218	PER: EHS640V
13	*CE04302219	PER: EHS760V
13	*CE04302220	PER: EHS900V
14	*CE04300610	PER: EHS520V
14	*CE04300611	PER: EHS640V
14	*CE04300710	PER: EHS760V
14	*CE04300711	PER: EHS900V
15	*CE04301004	PER: EHS520V, EHS640V
15	*CE04300910	PER: EHS760V, EHS900V
16	*CE04301003	PER: EHS520V, EHS640V
16	*CE04300903	PER: EHS760V, EHS900V

CODE EHS520V, EHS640V, EHS760V, EHS900V

BESCHREIBUNG: FILTER LAMINADO ABDECKUNG SCHRAUBEN SEITLICH



DEUTSCH

POS	CODE	BESCHREIBUNG	MENGE	POS	CODE	BESCHREIBUNG	MENGE
1	CE04180404	MANOMETER KOMPLETT		11	* CE04300916	FILTERSTERN-SCHLITZROHR 1" 225 M "	
2	CE04180405	MANOMETER 1/8" 3 KG/C "		11	* CE04290109	FILTERSTERN-SCHLITZROHR 1" 265 M "	
3	CE04302201	FILTERDECKEL, DICHTUNG UND MUTTER!		12	* CE04010025	SET FILTERSTERN-SCHLITZROHR D. 400	
4	CE04260106	DICHTUNG FIXIERRING VENTIL		12	* CE04010026	SET FILTERSTERN-SCHLITZROHR	
5	CE04010292	ABDECKUNG WEISS D. 220 UND DICHTUN		12	* CE04010028	SET FILTERSTERN-SCHLITZROHR D. 650	
6	CE04300615	FILTERRING 20 SCHRAUBEN		12	* CE04010048	SET FILTERSTERN-SCHLITZROHR D. 750	
7	CE04020116	O-RING 255 X 4		13	* CE04302217	SAMMELROHRSET 520 1"	
8	CE04010108	WASSERABLAUSS 3/8"		13	* CE04302218	SAMMELROHRSET 640 1"	
9	CE04040115	O-RING D. 60 X 8		13	* CE04302219	SAMMELROHRSET 760 1"	
10	* CE04300609	GEWINDESTÜCK UND DICHTUNG		13	* CE04302220	SAMMELROHRSET 900 1"	
10	* CE04300709	GEWINDESTÜCK 2" UND DICHTUN "		14	* CE04300610	SET WASSERVERTEILER 520	
10	* CE04230107	GEWINDESTÜCK 1 1/2" UND O-RIN "		14	* CE04300611	SET WASSERVERTEILER 640	
10	* CE04302131	GEWINDESTÜCK 2" UND DICHTUN "		14	* CE04300710	SET WASSERVERTEILER 760	

CODE **EHS520V, EHS640V, EHS760V, EHS900V**BESCHREIBUNG: **FILTER LAMINADO ABDECKUNG SCHRAUBEN SEITLICH**

11	* CE04300917	FILTERSTERN-SCHLITZROHR 1" 110 M "	14	* CE04300711	SET WASSERVERTEILER 900
11	* CE04300915	FILTERSTERN-SCHLITZROHR 1" 175 M "	15	* CE04301004	KEGEL WASSERVERTEILER D. 50
15	* CE04300910	KEGEL WASSERVERTEILER D. 63	16	* CE04300903	ROHR PVC HART L, 1120 MM
16	* CE04301003	ENTLÜFTUNG UND ROHR L=670	17	CE04040108	ENTLÜFTUNG

CODE **EHS520V, EHS640V, EHS760V, EHS900V**

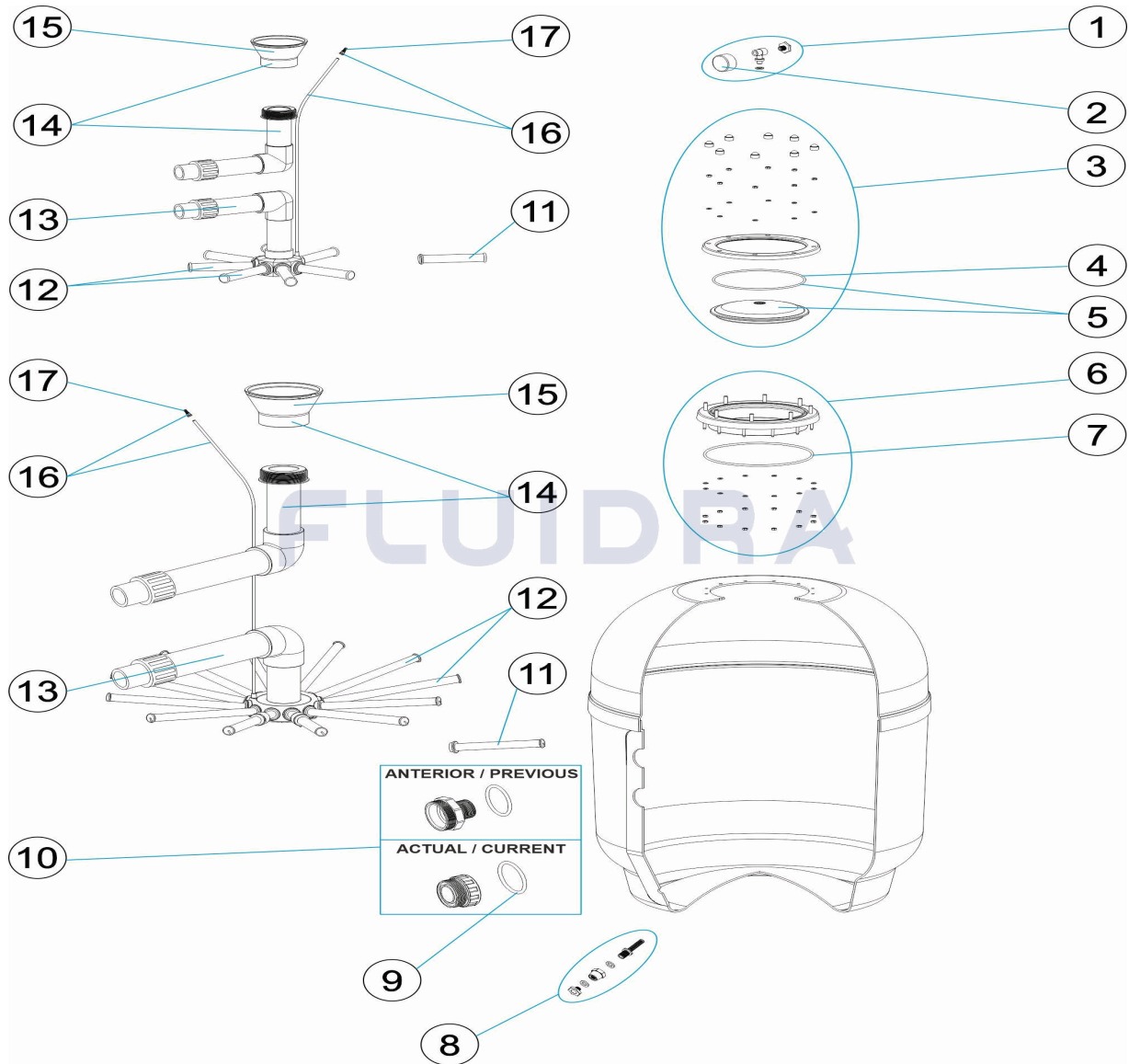
BESCHREIBUNG: **FILTER LAMINADO ABDECKUNG SCHRAUBEN SEITLICH**

HINWEISE

POS	CODE	HINWEISE
10	*CE04300609	FÜR: EHS520V, EHS640V OLD MODEL
10	*CE04300709	FÜR: EHS760V, EHS900V OLD MODEL
10	*CE04230107	FÜR: EHS520V, EHS640V CURRENT MODEL
10	*CE04302131	FÜR: EHS760V, EHS900V CURRENT MODEL
11	*CE04300917	FÜR: EHS520V [4UT]
11	*CE04300915	FÜR: EHS640V [4UT]
11	*CE04300916	FÜR: EHS760V [6UT]
11	*CE04290109	FÜR: EHS900V [6UT]
12	*CE04010025	FÜR: EHS520V
12	*CE04010026	FÜR: EHS640V
12	*CE04010028	FÜR: EHS760V
12	*CE04010048	FÜR: EHS900V
13	*CE04302217	FÜR: EHS520V
13	*CE04302218	FÜR: EHS640V
13	*CE04302219	FÜR: EHS760V
13	*CE04302220	FÜR: EHS900V
14	*CE04300610	FÜR: EHS520V
14	*CE04300611	FÜR: EHS640V
14	*CE04300710	FÜR: EHS760V
14	*CE04300711	FÜR: EHS900V
15	*CE04301004	FÜR: EHS520V, EHS640V
15	*CE04300910	FÜR: EHS760V, EHS900V
16	*CE04301003	FÜR: EHS520V, EHS640V
16	*CE04300903	FÜR: EHS760V, EHS900V

CODIGO EHS520V, EHS640V, EHS760V, EHS900V

DESCRIÇÃO: ITEM TAMPA PARAFUSOS LATERAL



PORTUGUES

POS	CODIGO	DESCRIÇÃO	JANTIDADE	POS	CODIGO	DESCRIÇÃO	JANTIDADE
1	CE04180404	MANÓMETRO COMPLETO		11	* CE04300916	BRAÇO COLECTOR 1" 225 M "	
2	CE04180405	MANOMETRO 1/8" 3 KG./C "		11	* CE04290109	BRAÇO COLECTOR 1" 265 M/M "	
3	CE04302201	TAMPA FILTRO + JUNTA		12	* CE04010025	CJTO. BRAÇO COLECTOR D. 400	
4	CE04260106	JUNTA ARO FIXAÇÃO VALVULA TOP		12	* CE04010026	CJTO. BRAÇO COLECTOR	
5	CE04010292	TAMPA BRANCO D.220 + JUNTA		12	* CE04010028	CJTO. BRAÇO COLECTOR D.650	
6	CE04300615	ARO PESCOÇOÇO 20 PARAFUSOS		12	* CE04010048	CJTO. BRAÇO COLECTOR D. 750	
7	CE04020116	JUNTA TÓRICA 255X4		13	* CE04302217	CJTO. COLECTOR 520 1"	
8	CE04010108	PURGA AGUA 3/8"		13	* CE04302218	CJTO. COLECTOR 640 1"	
9	CE04040115	JUNTA TÓRICA D 60X8		13	* CE04302219	CJTO. COLECTOR 760 1"	
10	* CE04300609	ACOPLADOR E JUNTA		13	* CE04302220	CJTO. COLECTOR 900 1"	
10	* CE04300709	ACOPLADOR 2" E JUNT "		14	* CE04300610	CJTO. DIFUSOR 520	
10	* CE04230107	RACORD 1 1/2' + JUNTA		14	* CE04300611	CJTO. DIFUSOR 640	
10	* CE04302131	ACOPLADOR 2" E JUNT "		14	* CE04300710	CJTO. DIFUSOR 760	

* VEJA A FICHA DE OBSERVAÇÕES

CODIGO **EHS520V, EHS640V, EHS760V, EHS900V**DESCRICAÇÃO: **ITEM TAMPA PARAFUSOS LATERAL**

11	* CE04300917	BRAÇO COLECTOR 1" 110 M "	14	* CE04300711	CJTO. DIFUSOR 900
11	* CE04300915	BRAÇO COLECTOR 1" 175 M "	15	* CE04301004	CONO DIFUSOR D. 50
15	* CE04300910	CONO DIFUSOR D. 63	16	* CE04300903	TUBO PVC RÍGIDO L, 1120 MM
16	* CE04301003	PURGA AR + TUBO L=670	17	CE04040108	PURGA AREIA

CODIGO **EHS520V, EHS640V, EHS760V, EHS900V**DESCRICAÇÃO: **ITEM TAMPA PARAFUSOS LATERAL****OBSERVAÇÕES**

POS	CODIGO	OBSERVAÇÕES
10	*CE04300609	PARA: EHS520V, EHS640V OLD MODEL
10	*CE04300709	PARA: EHS760V, EHS900V OLD MODEL
10	*CE04230107	PARA: EHS520V, EHS640V CURRENT MODEL
10	*CE04302131	PARA: EHS760V, EHS900V CURRENT MODEL
11	*CE04300917	PARA: EHS520V [4UT]
11	*CE04300915	PARA: EHS640V [4UT]
11	*CE04300916	PARA: EHS760V [6UT]
11	*CE04290109	PARA: EHS900V [6UT]
12	*CE04010025	PARA: EHS520V
12	*CE04010026	PARA: EHS640V
12	*CE04010028	PARA: EHS760V
12	*CE04010048	PARA: EHS900V
13	*CE04302217	PARA: EHS520V
13	*CE04302218	PARA: EHS640V
13	*CE04302219	PARA: EHS760V
13	*CE04302220	PARA: EHS900V
14	*CE04300610	PARA: EHS520V
14	*CE04300611	PARA: EHS640V
14	*CE04300710	PARA: EHS760V
14	*CE04300711	PARA: EHS900V
15	*CE04301004	PARA: EHS520V, EHS640V
15	*CE04300910	PARA: EHS760V, EHS900V
16	*CE04301003	PARA: EHS520V, EHS640V
16	*CE04300903	PARA: EHS760V, EHS900V