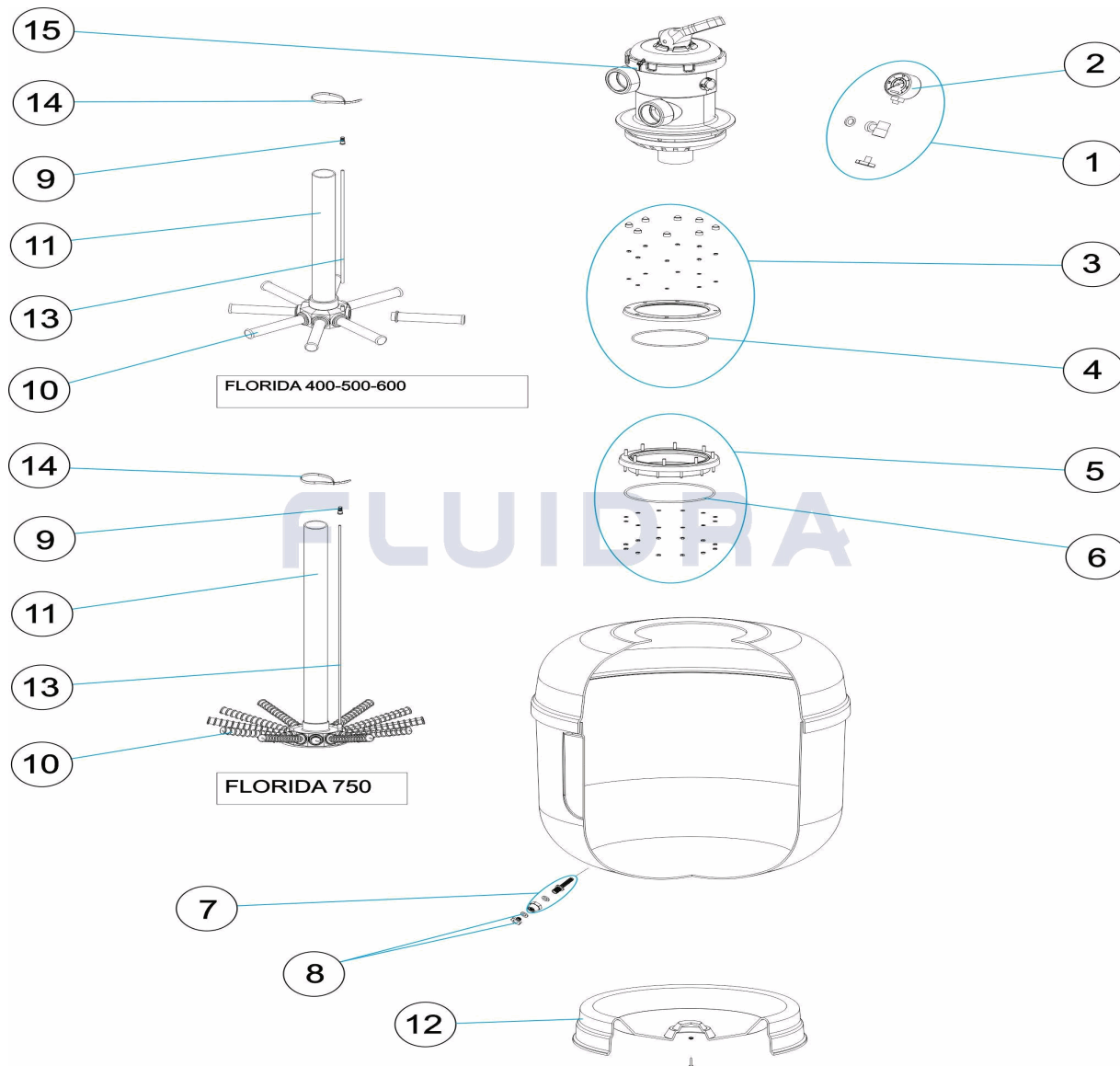


CODIGO **FFRT0400, FFRT0500, FFRT0600, FFRT0750**

DESCRIPCION: **FILTRO FLORIDA TOP**



ESPAÑOL

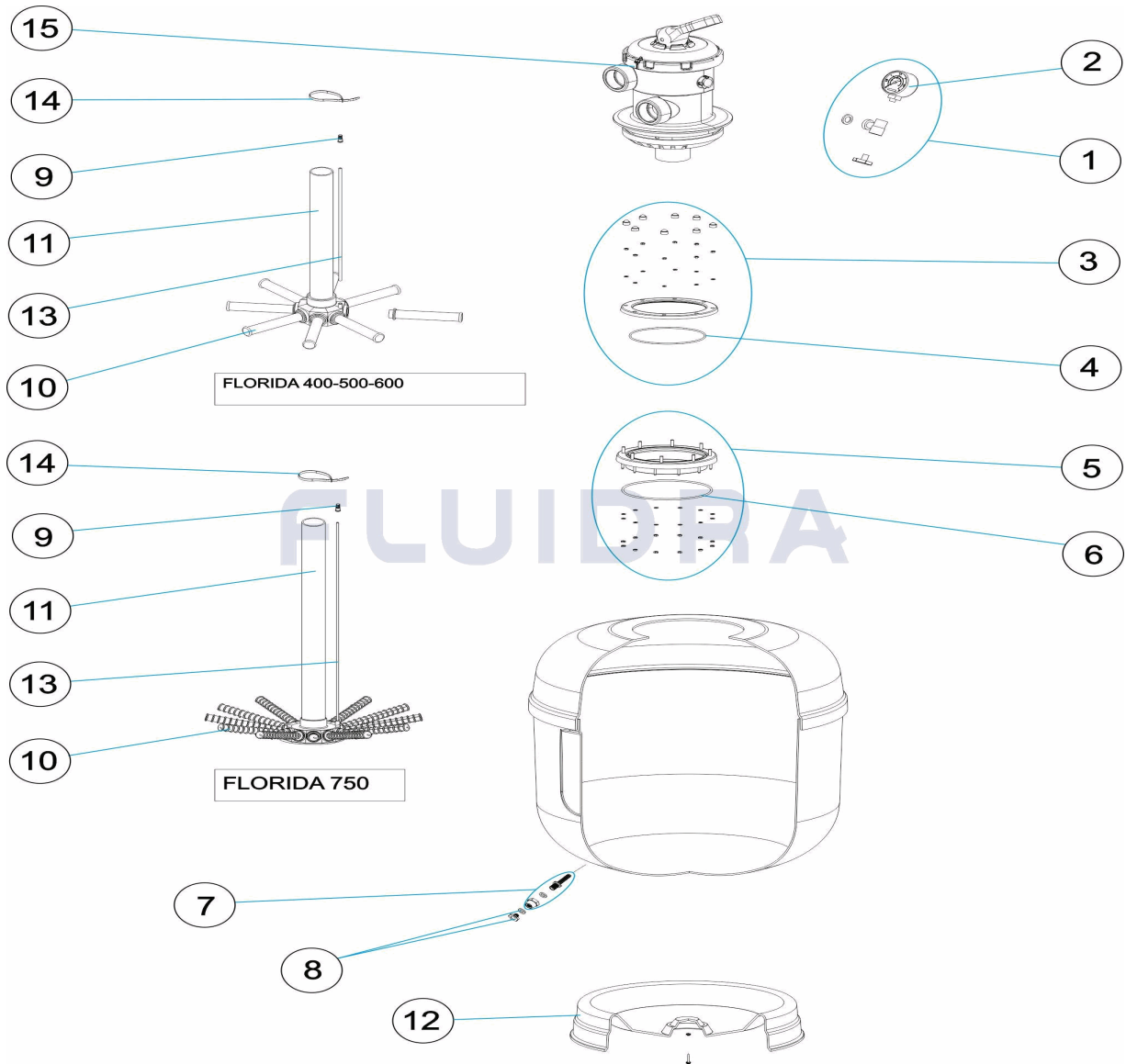
POS	CODIGO	DESCRIPCION	CANTIDAD	POS	CODIGO	DESCRIPCION	CANTIDAD
1	CE11020206	MANOMETRO COMPLETO		11	* FFRT0400R0422	CJTO. COLECTOR D.400	
2	CE11020407	MANOMETRO 1/8" 3 KG/C "		11	* FFRT0500R0422	CJTO. COLECTOR D.500	
3	CE04300803	ARO FIJACION CON TUERCAS		11	* FFRT0600R0422	CJTO. COLECTOR D.600	
4	CE04260106	JUNTA ARO FIJACION VALVULA		11	* FFRT0750R0422	CJTO. COLECTOR D.750	
5	CE04302103	CJTO. ARO CUELLO		12	* 00498R0102	PIE FILTRO D.400 BLANCO POST.3	
6	CE04020116	JUNTA TORICA 255X4		12	* 144018013	PIE FILTRO D.500 BLANCO POST.3	
7	CE04302104	CJTO. PURGA		12	* 144016011	PIE FILTRO D.600 - D.750 BLANCO POST.3	
8	CE04040113	TAPON PURGA Y JUNTA		13	CE04301003	PURGA AIRE + TUBO L=670	
9	CE04040108	PURGA AIRE		14	00471R0416	BRIDA " UNEX" REF.2244"	
10	* CE04300917	BRAZO COLECTOR 1" 110 M "		15	* MPV15/HSTEC	VALVULA TOP 1 1/2"	
10	* CE04300915	BRAZO COLECTOR 1" 175 M "		15	* MPV20/HSTEC	VALVULA TOP 2"	
10	* CE04300916	BRAZO COLECTOR 1" 225 M "					

CODIGO **FFRT0400, FFRT0500, FFRT0600, FFRT0750**DESCRIPCION: **FILTRO FLORIDA TOP****OBSERVACIONES**

POS	CODIGO	OBSERVACIONES
10	* CE04300917	PARA: FFRT0400, FFRT0500
10	* CE04300915	PARA: FFRT0600
10	* CE04300916	PARA: FFRT0750
11	* FFRT0400R0422	PARA: FFRT0400
11	* FFRT0500R0422	PARA: FFRT0500
11	* FFRT0600R0422	PARA: FFRT0600
11	* FFRT0750R0422	PARA: FFRT0750
12	* 00498R0102	PARA: FFRT0400
12	* 144018013	PARA: FFRT0500
12	* 144016011	PARA: FFRT0600, FFRT0750
15	* MPV15/HSTEC	PARA: FFRT0400, FFRT0500, FFRT0600
15	* MPV20/HSTEC	PARA: FFRT0750

CODE FFRT0400, FFRT0500, FFRT0600, FFRT0750

DESCRIPTION: FILTRE FLORIDA TOP



FRANCAIS

POS	CODE	DESCRIPTION	QUANTITE	POS	CODE	DESCRIPTION	QUANTITE
1	CE11020206	MANOMETRE COMPLET		11	* FFRT0400R0422	ENSEMBLE COLLECTEUR D. 400	
2	CE11020407	MANOMETRE 1/8" 3 KG./C "		11	* FFRT0500R0422	ENSEMBLE COLLECTEUR D. 500	
3	CE04300803	ANNEAU DE FIXATION ET VIS		11	* FFRT0600R0422	ENSEMBLE COLLECTEUR D. 600	
4	CE04260106	JOINT BRIDE FIXATION VANNE TOP		11	* FFRT0750R0422	ENSEMBLE COLLECTEUR D. 750	
5	CE04302103	ENSEMBLE " BAGUE JOIN "		12	* 00498R0102	SOCLE FILTRE D 400	
6	CE04020116	JOINT TORIQUE 255X4		12	* 144018013	SOCLE FILTRE D 500	
7	CE04302104	ENSEMBLE PURGE		12	* 144016011	SOCLE FILTRE D 600 - D. 750	
8	CE04040113	BOUCHON PURGE ET JOINT		13	CE04301003	PURGE AIR + TUBE L=670	
9	CE04040108	PURGE D'AIR		14	00471R0416	BRIDE UNEX 2244	
10	* CE04300917	BRAS DE REPARTITEUR 1" 110 M "		15	* MPV15/HSTEC	VANNE MULTIVOIES AUTOMATIQUE 1 1/2"	
10	* CE04300915	BRAS DE REPARTITEUR 1" 175 M "		15	* MPV20/HSTEC	VANNE MULTIVOIES AUTOMATIQUE 2"	
10	* CE04300916	BRAS DE REPARTITEUR 1" 225 M "					

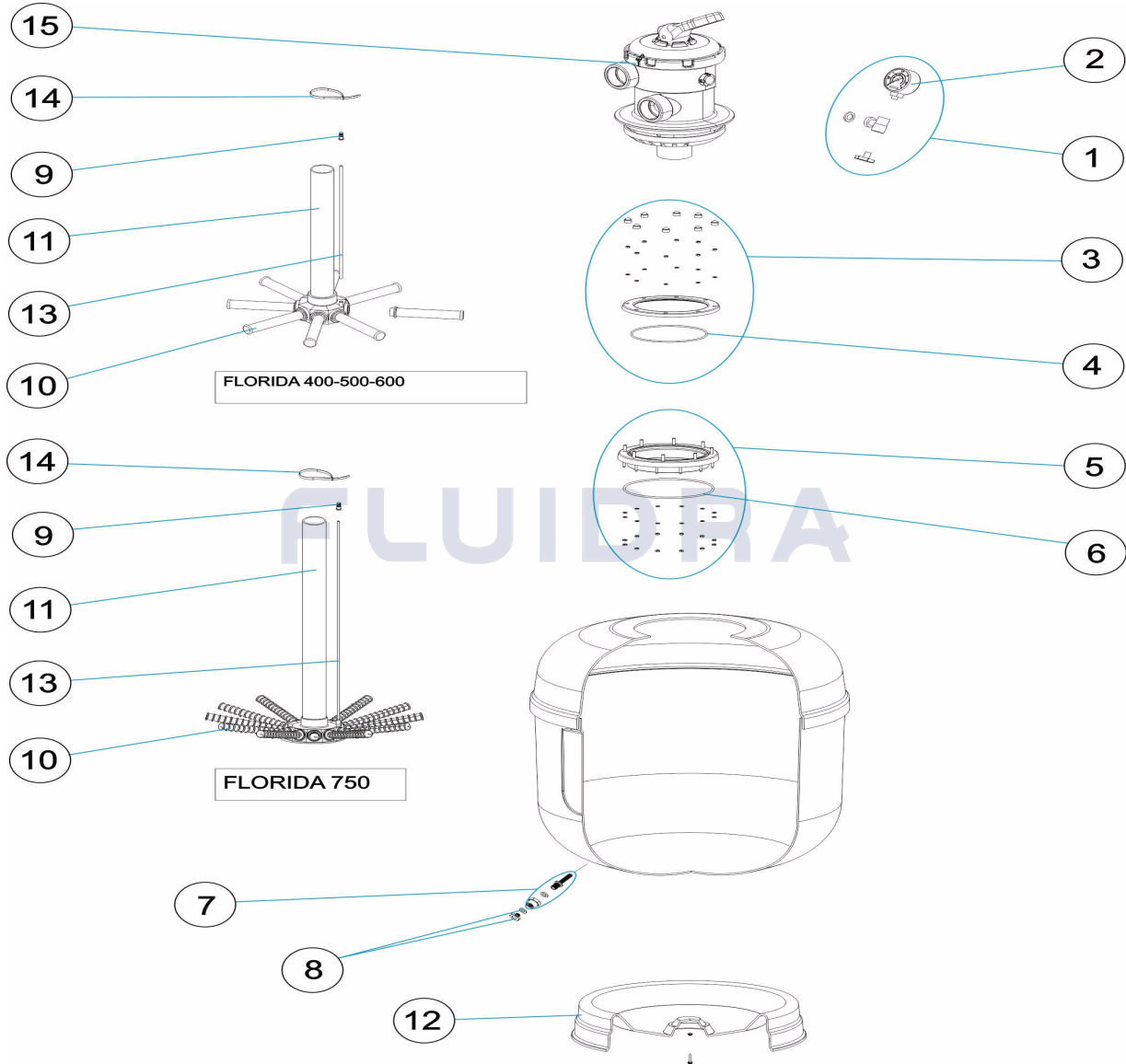
CODE **FFRT0400, FFRT0500, FFRT0600, FFRT0750**DESCRIPTION: **FILTRE FLORIDA TOP**

OBSERVATIONS

POS	CODE	OBSERVATIONS
10	* CE04300917	POUR: FFRT0400, FFRT0500
10	* CE04300915	POUR: FFRT0600
10	* CE04300916	POUR: FFRT0750
11	* FFRT0400R0422	POUR: FFRT0400
11	* FFRT0500R0422	POUR: FFRT0500
11	* FFRT0600R0422	POUR: FFRT0600
11	* FFRT0750R0422	POUR: FFRT0750
12	* 00498R0102	POUR: FFRT0400
12	* 144018013	POUR: FFRT0500
12	* 144016011	POUR: FFRT0600, FFRT0750
15	* MPV15/HSTEC	POUR: FFRT0400, FFRT0500, FFRT0600
15	* MPV20/HSTEC	POUR: FFRT0750

CODE FFRT0400, FFRT0500, FFRT0600, FFRT0750

DESCRIPTION: FLORIDA TOP FILTER


ENGLISH

POS	CODE	DESCRIPTION	QUANTITY	POS	CODE	DESCRIPTION	QUANTITY
1	CE11020206	COMPLETE PRESSURE GAUGE UNIT		11	* FFRT0400R0422	COLLECTOR ASSEMBLY D.400	
2	CE11020407	PRESSURE GAUGE 1/8" 3 KG./C "		11	* FFRT0500R0422	COLLECTOR ASSEMBLY D.500	
3	CE04300803	FIXING RIM AND NUTS		11	* FFRT0600R0422	COLLECTOR ASSEMBLY D.600	
4	CE04260106	VALVE TOP RING FIXING GASKET		11	* FFRT0750R0422	COLLECTOR ASSEMBLY D.750	
5	CE04302103	SET FILTER RING		12	* 00498R0102	FILTER BASE D. 400	
6	CE04020116	O' RING 255X4		12	* 144018013	FILTER BASE D. 500	
7	CE04302104	DRAIN SET		12	* 144016011	FILTER BASE D. 600 - D. 750	
8	CE04040113	DRAIN PLUG AND GASKET		13	CE04301003	AIR PURGE + PIPE L=670	
9	CE04040108	AIR PURGE		14	00471R0416	FLANGE UNEX 2244	
10	* CE04300917	MANIFOLD ARM 1" 110 M "		15	* MPV15/HSTEC	1 1/2" BAYONETTE MULTIPOINT VALV "	
10	* CE04300915	MANIFOLD ARM 1" 175 M "		15	* MPV20/HSTEC	2" BAYONETTE MULTIPOINT VALV "	
10	* CE04300916	MANIFOLD ARM 1" 225 M "					



PARTS BREAKDOWN

REV.: 1
DATE: 08/11/2016
SHEET: 2/2

627

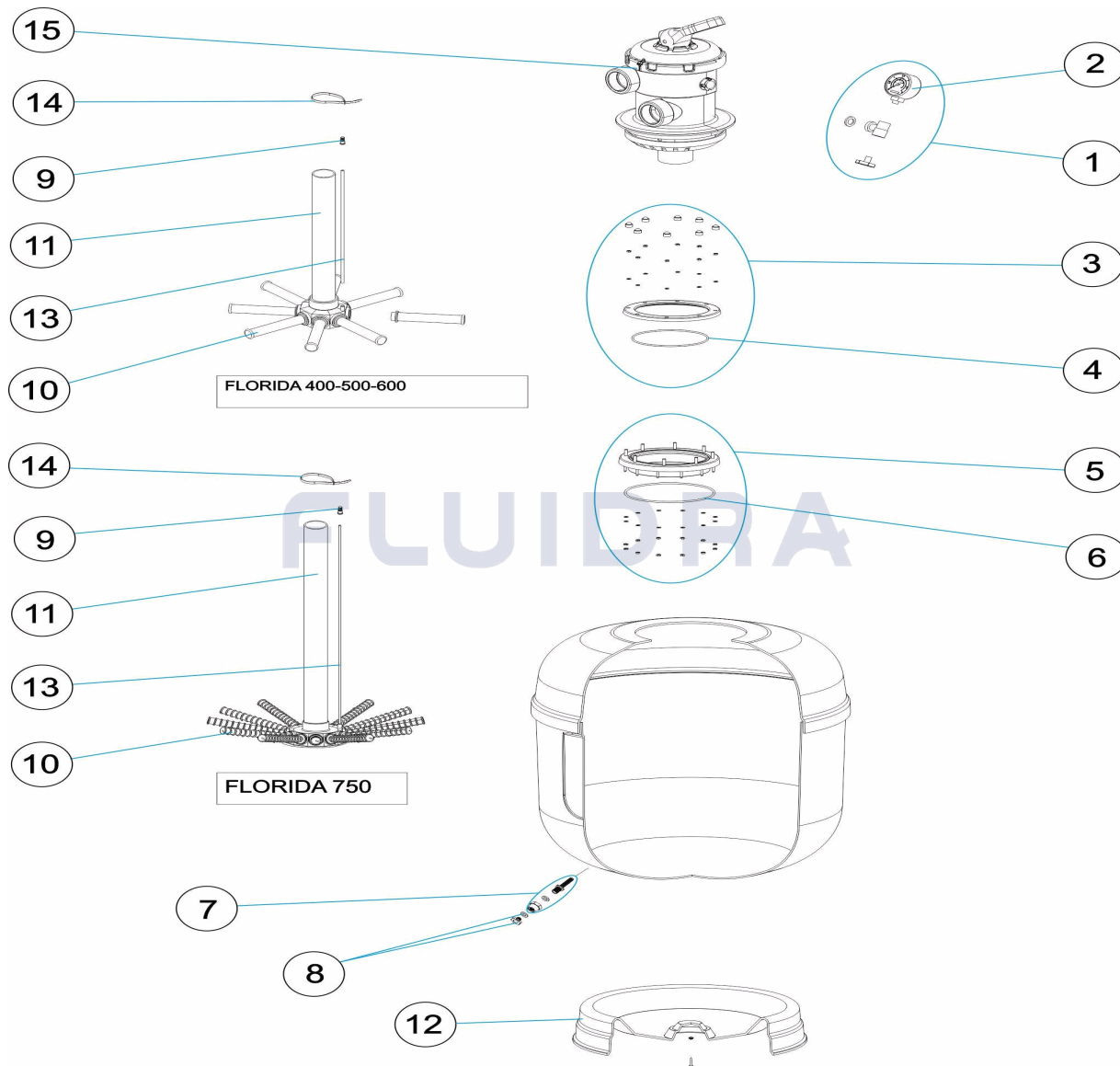
CODE FFRT0400, FFRT0500, FFRT0600, FFRT0750

DESCRIPTION: FLORIDA TOP FILTER

OBSERVATIONS

POS	CODE	OBSERVATIONS
10	* CE04300917	FOR: FFRT0400, FFRT0500
10	* CE04300915	FOR: FFRT0600
10	* CE04300916	FOR: FFRT0750
11	* FFRT0400R0422	FOR: FFRT0400
11	* FFRT0500R0422	FOR: FFRT0500
11	* FFRT0600R0422	FOR: FFRT0600
11	* FFRT0750R0422	FOR: FFRT0750
12	* 00498R0102	FOR: FFRT0400
12	* 144018013	FOR: FFRT0500
12	* 144016011	FOR: FFRT0600, FFRT0750
15	* MPV15/HSTEC	FOR: FFRT0400, FFRT0500, FFRT0600
15	* MPV20/HSTEC	FOR: FFRT0750

CODICE **FFRT0400, FFRT0500, FFRT0600, FFRT0750**

 DESCRIZIONE: **FILTRO FLORIDA TOP**

ITALIANO

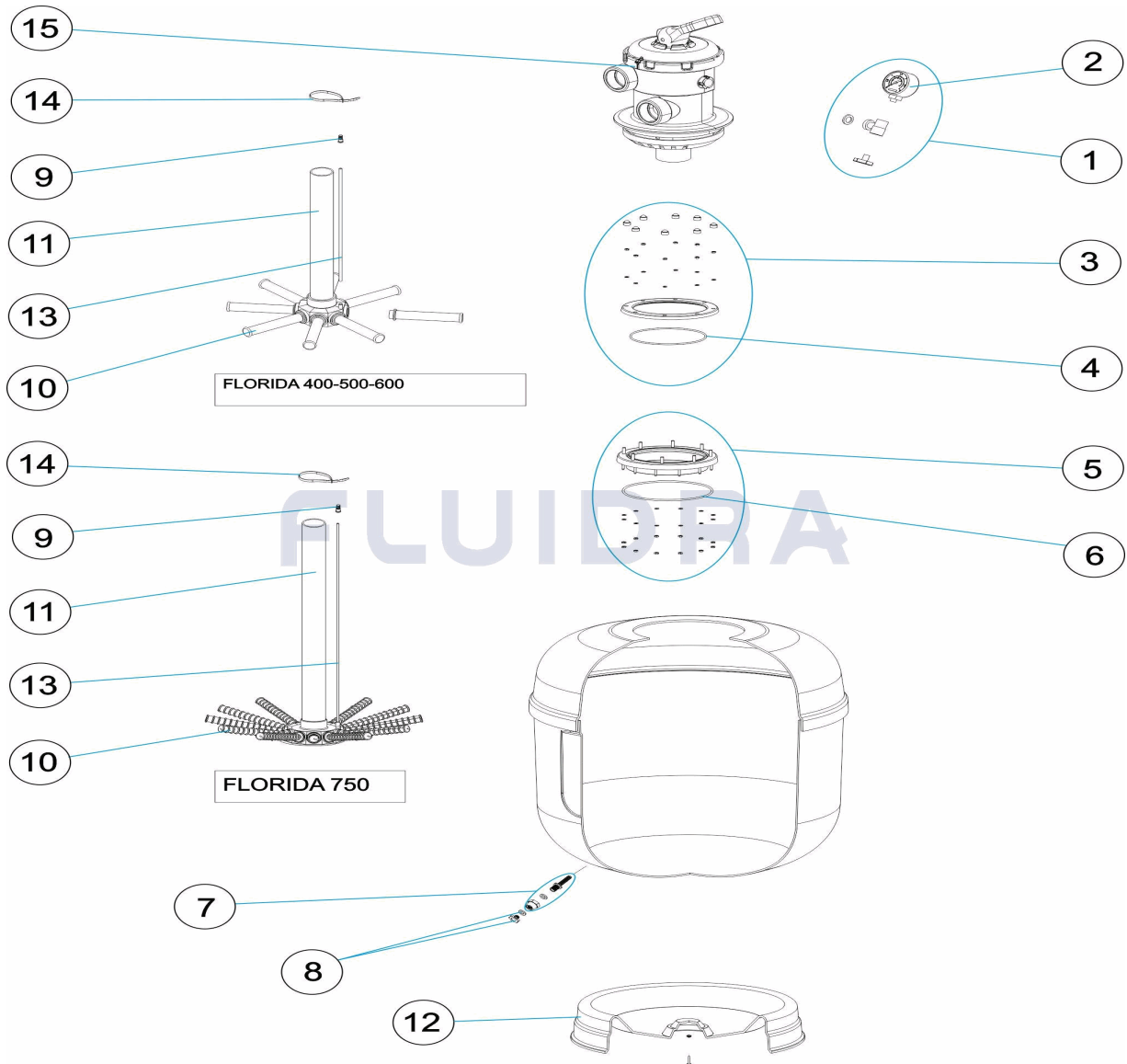
POS	CODICE	DESCRIZIONE	QUANTITA'	POS	CODICE	DESCRIZIONE	QUANTITA'
1	CE11020206	MANOMETRO COMPLETO		11	* FFRT0400R0422	KIT COLLETTORE D. 400	
2	CE11020407	MANOMETRO 1/8" 3 KG./C "		11	* FFRT0500R0422	KIT COLLETTORE D. 500	
3	CE04300803	ANELLO DI FISSAGGIO CON DADI		11	* FFRT0600R0422	KIT COLLETTORE D. 600	
4	CE04260106	GUARNIZIONE FLANGIA FISSAGGIO VALVOL		11	* FFRT0750R0422	KIT COLLETTORE D. 750	
5	CE04302103	KIT FLANGIA COPERCHIO		12	* 00498R0102	BASE FILTRO D 400	
6	CE04020116	O-RING 255X4		12	* 144018013	BASE FILTRO D 500	
7	CE04302104	KIT SCARICO		12	* 144016011	BASE FILTRO D 600 - D. 750	
8	CE04040113	TAPPO SPURGO E GUARNIZIONE		13	CE04301003	SPURGO ARIA + TUBO L=670	
9	CE04040108	SFIATO ARIA		14	00471R0416	FLANGIA UNEX 2244	
10	* CE04300917	CANDELOTTO COLLECTORE 1" 110 M "		15	* MPV15/HSTEC	VALVOLA TOP 1 1/2"	
10	* CE04300915	CANDELOTTO COLLECTORE 1" 175 M "		15	* MPV20/HSTEC	VALVOLA TOP 2"	
10	* CE04300916	CANDELOTTO COLLECTORE 1" 225 M "					

CODICE **FFRT0400, FFRT0500, FFRT0600, FFRT0750**DESCRIZIONE: **FILTRO FLORIDA TOP**

OSSERVAZIONI

POS	CODICE	OSSERVAZIONI
10	*CE04300917	PER: FFRT0400, FFRT0500
10	*CE04300915	PER: FFRT0600
10	*CE04300916	PER: FFRT0750
11	*FFRT0400R0422	PER: FFRT0400
11	*FFRT0500R0422	PER: FFRT0500
11	*FFRT0600R0422	PER: FFRT0600
11	*FFRT0750R0422	PER: FFRT0750
12	*00498R0102	PER: FFRT0400
12	*144018013	PER: FFRT0500
12	*144016011	PER: FFRT0600, FFRT0750
15	*MPV15/HSTEC	PER: FFRT0400, FFRT0500, FFRT0600
15	*MPV20/HSTEC	PER: FFRT0750

CODE **FFRT0400, FFRT0500, FFRT0600, FFRT0750**

 BESCHREIBUNG: **FILTER FLORIDA TOP**

DEUTSCH

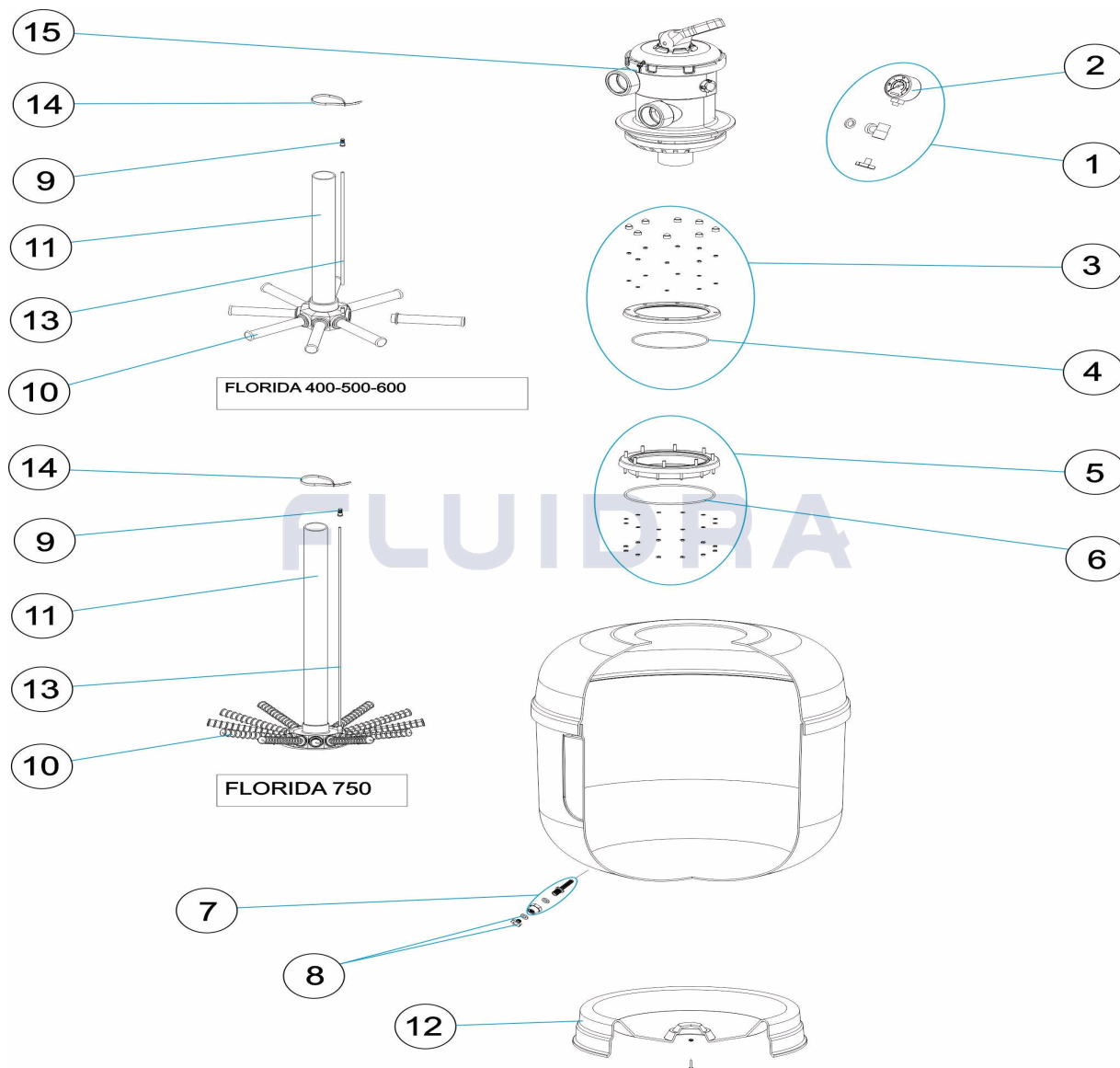
POS	CODE	BESCHREIBUNG	MENGE	POS	CODE	BESCHREIBUNG	MENGE
1	CE11020206	MANOMETER KOMPLETT		11	* FFRT0400R0422	SAMMELROHRSET D. 400	
2	CE11020407	MANOMETER 1/8" 3 KG/C "		11	* FFRT0500R0422	SAMMELROHRSET D. 500	
3	CE04300803	FIXIERRING MIT MUTTERN		11	* FFRT0600R0422	SAMMELROHRSET D. 600	
4	CE04260106	DICHTUNG FIXIERRING VENTIL		11	* FFRT0750R0422	SAMMELROHRSET D. 750	
5	CE04302103	SET FILTERRING		12	* 00498R0102	FILTERFUSS D. 400 WEISS	
6	CE04020116	O-RING 255 X 4		12	* 144018013	FILTERFUSS D. 500 WEISS	
7	CE04302104	SET ABLASS		12	* 144016011	FILTERFUSS D. 600 - D. 750	
8	CE04040113	ABLASSSTOPFEN UND DICHTUNG		13	CE04301003	ENTLÜFTUNG UND ROHR L=670	
9	CE04040108	ENTLÜFTUNG		14	00471R0416	FLANSCH " UNEX" REF.2244"	
10	* CE04300917	FILTERSTERN-SCHLITZROHR 1" 110 M "		15	* MPV15/HSTEC	VENTIL TOP 1 1/2"	
10	* CE04300915	FILTERSTERN-SCHLITZROHR 1" 175 M "		15	* MPV20/HSTEC	VENTIL TOP 2"	
10	* CE04300916	FILTERSTERN-SCHLITZROHR 1" 225 M "					

CODE **FFRT0400, FFRT0500, FFRT0600, FFRT0750**BESCHREIBUNG: **FILTER FLORIDA TOP**

HINWEISE

POS	CODE	HINWEISE
10	*CE04300917	FÜR: FFRT0400, FFRT0500
10	*CE04300915	FÜR: FFRT0600
10	*CE04300916	FÜR: FFRT0750
11	*FFRT0400R0422	FÜR: FFRT0400
11	*FFRT0500R0422	FÜR: FFRT0500
11	*FFRT0600R0422	FÜR: FFRT0600
11	*FFRT0750R0422	FÜR: FFRT0750
12	*00498R0102	FÜR: FFRT0400
12	*144018013	FÜR: FFRT0500
12	*144016011	FÜR: FFRT0600, FFRT0750
15	*MPV15/HSTEC	FÜR: FFRT0400, FFRT0500, FFRT0600
15	*MPV20/HSTEC	FÜR: FFRT0750

CODIGO **FFRT0400, FFRT0500, FFRT0600, FFRT0750**

 DESCRIÇÃO: **FILTRO FLORIDA TOP**


PORTUGUES

POS	CODIGO	DESCRIÇÃO	JANTIDADE	POS	CODIGO	DESCRIÇÃO	JANTIDADE
1	CE11020206	MANÓMETRO COMPLETO		11	* FFRT0400R0422	CJTO. COLECTOR D. 400	
2	CE11020407	MANOMETRO 1/8" 3 KG./C "		11	* FFRT0500R0422	CJTO. COLECTOR D. 500	
3	CE04300803	ARO DE FIXAÇÃO COM PORCAS		11	* FFRT0600R0422	CJTO. COLECTOR D. 600	
4	CE04260106	JUNTA ARO FIXAÇÃO VALVULA TOP		11	* FFRT0750R0422	CJTO. COLECTOR D. 750	
5	CE04302103	CONJUNTO ARO PROLONGADOR		12	* 00498R0102	PÉ FILTRO D 400	
6	CE04020116	JUNTA TÓRICA 255X4		12	* 144018013	PÉ FILTRO D 500	
7	CE04302104	CONJUNTO PURDA AREIA		12	* 144016011	PÉ FILTRO D 600 - D. 750	
8	CE04040113	TAMPÃO PURGA E JUNTA		13	CE04301003	PURGA AR + TUBO L=670	
9	CE04040108	PURGA AREIA		14	00471R0416	FLANGE UNEX 2244	
10	* CE04300917	BRAÇO COLECTOR 1" 110 M "		15	* MPV15/HSTEC	VALVULA SELECTORA TOP 1 1/2"	
10	* CE04300915	BRAÇO COLECTOR 1" 175 M "		15	* MPV20/HSTEC	VALVULA SELECTORA TOP 2"	
10	* CE04300916	BRAÇO COLECTOR 1" 225 M "					

CODIGO **FFRT0400, FFRT0500, FFRT0600, FFRT0750**DESCRIÇÃO: **FILTRO FLORIDA TOP****OBSERVAÇÕES**

POS	CODIGO	OBSERVAÇÕES
10	* CE04300917	PARA: FFRT0400, FFRT0500
10	* CE04300915	PARA: FFRT0600
10	* CE04300916	PARA: FFRT0750
11	* FFRT0400R0422	PARA: FFRT0400
11	* FFRT0500R0422	PARA: FFRT0500
11	* FFRT0600R0422	PARA: FFRT0600
11	* FFRT0750R0422	PARA: FFRT0750
12	* 00498R0102	PARA: FFRT0400
12	* 144018013	PARA: FFRT0500
12	* 144016011	PARA: FFRT0600, FFRT0750
15	* MPV15/HSTEC	PARA: FFRT0400, FFRT0500, FFRT0600
15	* MPV20/HSTEC	PARA: FFRT0750