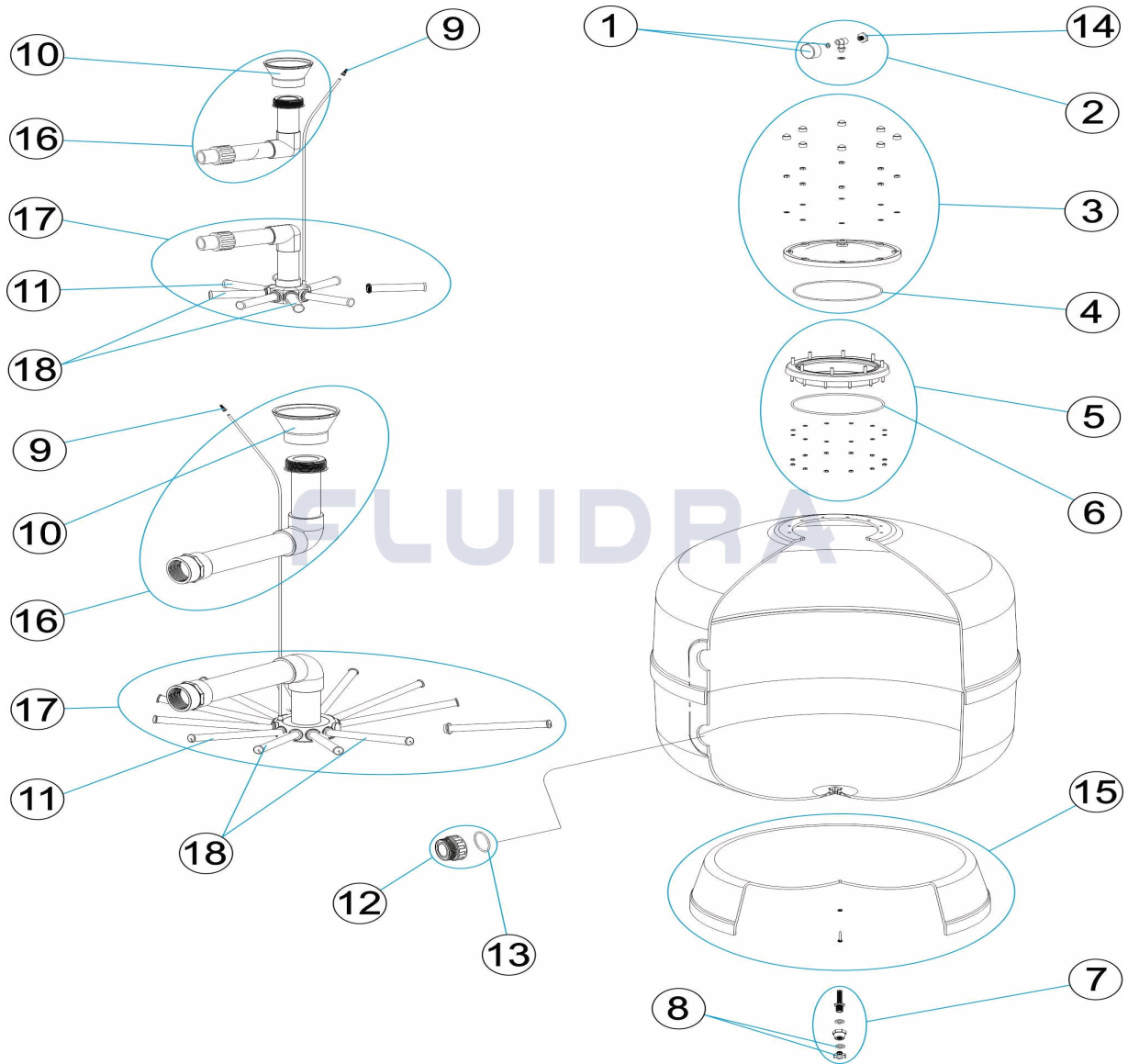


CODIGO FFRS0351, FFRS0451, FFRS0501, FFRS0601, FFRS0751, FFRS0901

DESCRIPCION: FILTRO FLORIDA II



ESPAÑOL

POS	CODIGO	DESCRIPCION	CANTIDAD	POS	CODIGO	DESCRIPCION	CANTIDAD
1	CE11020407	MANOMETRO 1/8" 3 KG/C "		12	* CE04230107	RACORD 1 1/2" + JUNTA TORIC "	
2	CE11020206	MANOMETRO COMPLETO		12	* CE04302131	RACORD 2" + JUNT "	
3	CE04302101	TAPA FILTRO + JUNTA + TUERCAS		13	CE04040115	JUNTA TORICA D. 60X8	
4	CE04302102	JUNTA TORICA 209X6		14	CE04130107	TAPON PURGA 1/4" ANONIMO CON JUNT "	
5	CE04302103	CJTO. ARO CUELLO		15	* CE04302107	PIE FILTRO D 400	
6	CE04020116	JUNTA TORICA 255X4		15	* CE04020000	PIE FILTRO D. 450	
7	CE04010108	PURGA AGUA 3/8"		15	* CE04302108	PIE FILTRO D 500	
8	CE04040113	TAPON PURGA Y JUNTA		15	* CE04302109	PIE FILTRO D 600/750	
9	CE04040108	PURGA AIRE		15	* CE04302110	PIE FILTRO D 750	
10	* CE04301004	CONO DIFUSOR D.50		15	* CE04020001	PIE FILTRO D.900	
10	* CE04300910	CONO DIFUSOR D. 63		16	* CE04010135	CJTO. DIFUSOR ASTER 350	
11	* CE04300917	BRAZO COLECTOR 1" 110 M "		16	* CE04010136	CJTO. DIFUSOR ASTER 450	
11	* CE04300915	BRAZO COLECTOR 1" 175 M "		16	* CE04010118	CJTO. DIFUSOR D. 500	

CODIGO **FFRS0351, FFRS0451, FFRS0501, FFRS0601, FFRS0751, FFRS0901**DESCRIPCION: **FILTRO FLORIDA II**

11	* CE04300916	BRAZO COLECTOR 1" 225 M "	16	* CE04010119	CJTO. DIFUSOR D. 600
11	* CE04290109	BRAZO COLECTOR 1" 265 M "	16	* CE04010120	CJTO. DIFUSOR D. 750
16	* CE04010121	CJTO. DIFUSOR D. 900	17	* CE04010117	CJTO. COLECTOR D. 900
17	* CE04010131	CJTO. COLECTOR D. 350	18	* CE04010025	CJTO. BRAZOS COLECTOR D. 400
17	* CE04010132	CJTO. COLECTOR D.450	18	* CE04010026	CJTO. BRAZOS COLECTOR
17	* CE04010114	CJTO. COLECTOR D. 500	18	* CE04010028	CJTO. BRAZOS COLECTOR D. 650
17	* CE04010115	CJTO. COLECTOR D. 600	18	* CE04010048	CJTO. BRAZOS COLECTOR D. 750
17	* CE04010116	CJTO. COLECTOR D. 750			

CODIGO **FFRS0351, FFRS0451, FFRS0501, FFRS0601, FFRS0751, FFRS0901**

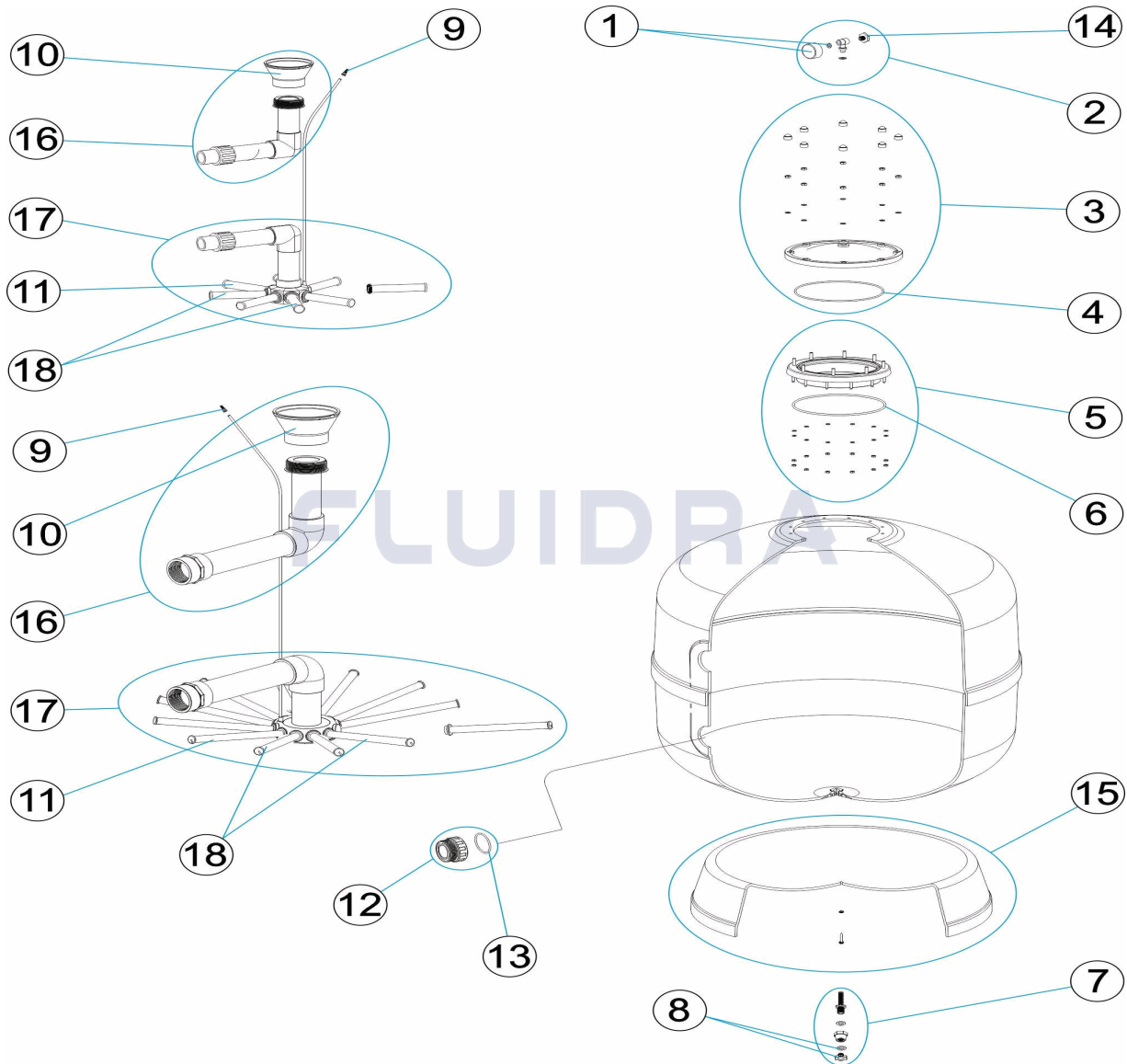
DESCRIPCION: **FILTRO FLORIDA II**

OBSERVACIONES

POS	CODIGO	OBSERVACIONES
10	*CE04301004	PARA: FFRS0351, FFRS0451, FFRS0501, FFRS0601
10	*CE04300910	PARA: FFRS0751, FFRS0901
11	*CE04300917	PARA: FFRS0351 [4UNIDADES], FFRS0451 [4UNIDADES], FFRS0501 [4UNIDADES]
11	*CE04300915	PARA: FFRS0601 [4UNIDADES]
11	*CE04300916	PARA: FFRS0751 [6UNIDADES]
11	*CE04290109	PARA: FFRS0901 [6UNIDADES]
12	*CE04230107	PARA: FFRS0351, FFRS0451, FFRS0501, FFRS0601
12	*CE04302131	PARA: FFRS0751, FFRS0901
15	*CE04302107	PARA: FFRS0351
15	*CE04020000	PARA: FFRS0451
15	*CE04302108	PARA: FFRS0501
15	*CE04302109	PARA: FFRS0601
15	*CE04302110	PARA: FFRS0751
15	*CE04020001	PARA: FFRS0901
16	*CE04010135	PARA: FFRS0351
16	*CE04010136	PARA: FFRS0451
16	*CE04010118	PARA: FFRS0501
16	*CE04010119	PARA: FFRS0601
16	*CE04010120	PARA: FFRS0751
16	*CE04010121	PARA: FFRS0901
17	*CE04010131	PARA: FFRS0351
17	*CE04010132	PARA: FFRS0451
17	*CE04010114	PARA: FFRS0501
17	*CE04010115	PARA: FFRS0601
17	*CE04010116	PARA: FFRS0751
17	*CE04010117	PARA: FFRS0901
18	*CE04010025	PARA: FFRS0351, FFRS0451, FFRS0501
18	*CE04010026	PARA: FFRS0601
18	*CE04010028	PARA: FFRS0751
18	*CE04010048	PARA: FFRS0901

CODE FFRS0351, FFRS0451, FFRS0501, FFRS0601, FFRS0751, FFRS0901

DESCRIPTION: FILTRE FLORIDA II


FRANCAIS

POS	CODE	DESCRIPTION	QUANTITE	POS	CODE	DESCRIPTION	QUANTITE
1	CE11020407	MANOMETRE 1/8" 3 KG./C "		12	* CE04230107	RACCORD 1 1/2" + JOINT	
2	CE11020206	MANOMETRE COMPLET		12	* CE04302131	RACCORD 2" + JOIN "	
3	CE04302101	COUVERCLE DE FILTRE + JOINT + ECROL		13	CE04040115	JOINT TORIQUE D 60X8	
4	CE04302102	JOINT TORIQUE 209X6		14	CE04130107	BOUCHON PURGE 1/4" ANONYME AVEC JC	
5	CE04302103	ENSEMBLE " BAGUE JOIN "		15	* CE04302107	SOCLE FILTRE D 400	
6	CE04020116	JOINT TORIQUE 255X4		15	* CE04020000	SOCLE FILTRE D 450	
7	CE04010108	PURGE D'EAU 3/8"		15	* CE04302108	SOCLE FILTRE D 500	
8	CE04040113	BOUCHON PURGE ET JOINT		15	* CE04302109	SOCLE FILTRE D 660/750	
9	CE04040108	PURGE D'AIR		15	* CE04302110	SOCLE FILTRE D. 750	
10	* CE04301004	DIFUSOR CONIQUE SUPERIOR D. 50		15	* CE04020001	SOCLE FILTRE D 900	
10	* CE04300910	DIFUSOR CONIQUE SUPERIOR D. 63		16	* CE04010135	ENSEMBLE DIFFUSEUR ASTER D. 350	
11	* CE04300917	BRAS DE REPARTITEUR 1" 110 M "		16	* CE04010136	ENSEMBLE DIFFUSEUR ASTER D. 450	
11	* CE04300915	BRAS DE REPARTITEUR 1" 175 M "		16	* CE04010118	ENSEMBLE DIFFUSEUR D. 500	

CODE **FFRS0351, FFRS0451, FFRS0501, FFRS0601, FFRS0751, FFRS0901**DESCRIPTION: **FILTRE FLORIDA II**

11	* CE04300916	BRAS DE REPARTITEUR 1" 225 M "	16	* CE04010119	ENSEMBLE DIFFUSEUR D. 600
11	* CE04290109	BRAS DE REPARTITEUR 1" 265 M/M "	16	* CE04010120	ENSEMBLE DIFFUSEUR D. 750
16	* CE04010121	ENSEMBLE DIFFUSEUR D. 900	17	* CE04010117	ENSEMBLE COLLECTEUR D. 900
17	* CE04010131	ENSEMBLE COLLECTEUR D. 350	18	* CE04010025	ENSEMBLE BRAS DE REPARTITEUR D. 400
17	* CE04010132	ENSEMBLE COLLECTEUR D. 450	18	* CE04010026	ENSEMBLE BRAS DE REPARTITEUR
17	* CE04010114	ENSEMBLE COLLECTEUR D. 500	18	* CE04010028	ENSEMBLE BRAS DE REPARTITEUR D. 650
17	* CE04010115	ENSEMBLE COLLECTEUR D. 600	18	* CE04010048	ENSEMBLE BRAS DE REPARTITEUR D. 750
17	* CE04010116	ENSEMBLE COLLECTEUR D. 750			

CODE **FFRS0351, FFRS0451, FFRS0501, FFRS0601, FFRS0751, FFRS0901**

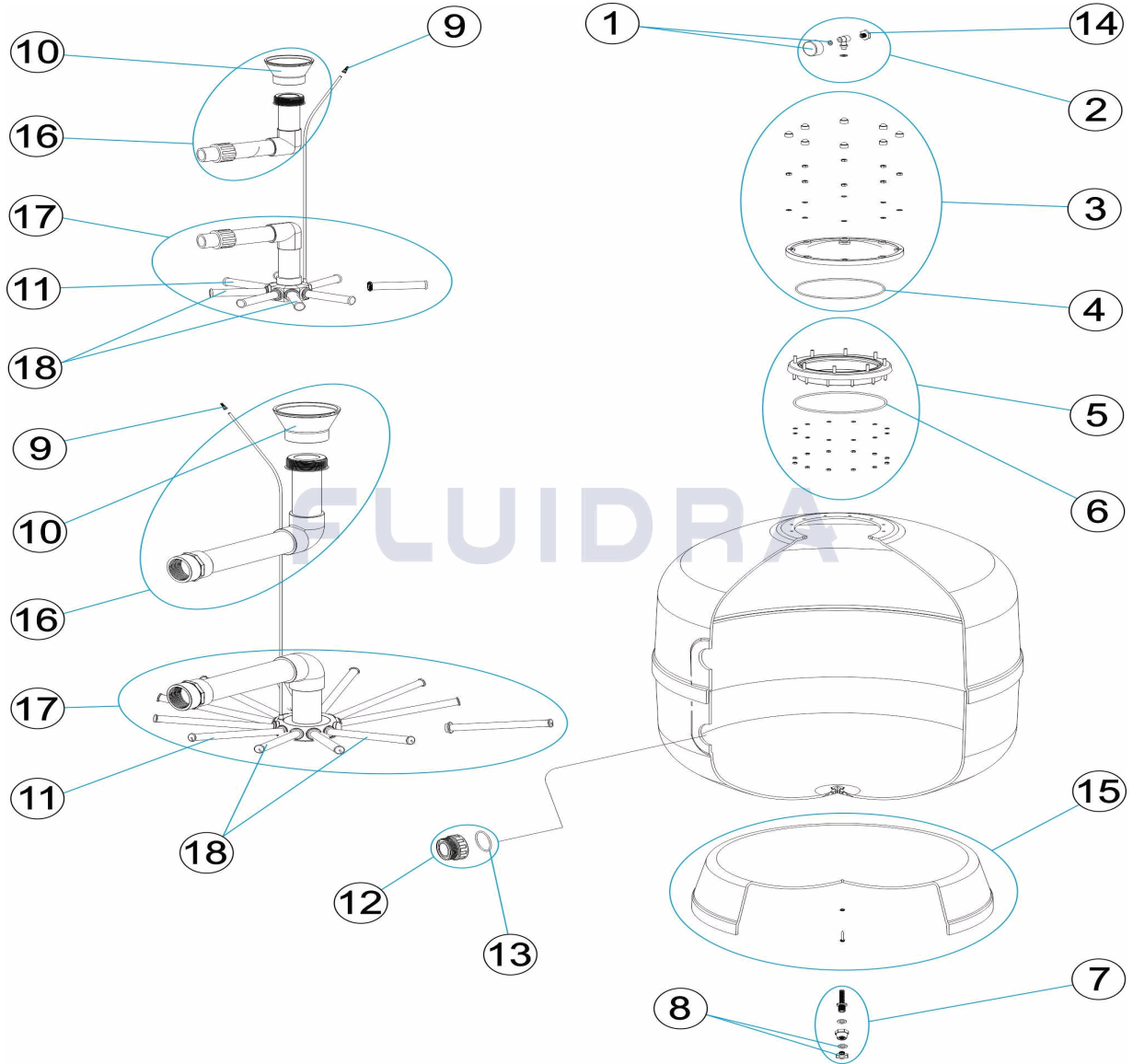
DESCRIPTION: **FILTRE FLORIDA II**

OBSERVATIONS

POS	CODE	OBSERVATIONS
10	*CE04301004	POUR: FFRS0351, FFRS0451, FFRS0501, FFRS0601
10	*CE04300910	POUR: FFRS0751, FFRS0901
11	*CE04300917	POUR: FFRS0351 [4UT], FFRS0451 [4UT], FFRS0501 [4UT]
11	*CE04300915	POUR: FFRS0601 [4UT]
11	*CE04300916	POUR: FFRS0751 [6UT]
11	*CE04290109	POUR: FFRS0901 [6UT]
12	*CE04230107	POUR: FFRS0351, FFRS0451, FFRS0501, FFRS0601
12	*CE04302131	POUR: FFRS0751, FFRS0901
15	*CE04302107	POUR: FFRS0351
15	*CE04020000	POUR: FFRS0451
15	*CE04302108	POUR: FFRS0501
15	*CE04302109	POUR: FFRS0601
15	*CE04302110	POUR: FFRS0751
15	*CE04020001	POUR: FFRS0901
16	*CE04010135	POUR: FFRS0351
16	*CE04010136	POUR: FFRS0451
16	*CE04010118	POUR: FFRS0501
16	*CE04010119	POUR: FFRS0601
16	*CE04010120	POUR: FFRS0751
16	*CE04010121	POUR: FFRS0901
17	*CE04010131	POUR: FFRS0351
17	*CE04010132	POUR: FFRS0451
17	*CE04010114	POUR: FFRS0501
17	*CE04010115	POUR: FFRS0601
17	*CE04010116	POUR: FFRS0751
17	*CE04010117	POUR: FFRS0901
18	*CE04010025	POUR: FFRS0351, FFRS0451, FFRS0501
18	*CE04010026	POUR: FFRS0601
18	*CE04010028	POUR: FFRS0751
18	*CE04010048	POUR: FFRS0901

CODE FFRS0351, FFRS0451, FFRS0501, FFRS0601, FFRS0751, FFRS0901

DESCRIPTION: FLORIDA II FILTER



ENGLISH

POS	CODE	DESCRIPTION	QUANTITY	POS	CODE	DESCRIPTION	QUANTITY
1	CE11020407	PRESSURE GAUGE 1/8" 3 KG./C "		12	* CE04230107	1 1/2" FITTING + GASKET	
2	CE11020206	COMPLETE PRESSURE GAUGE UNIT		12	* CE04302131	FITTING 2" + GASKE "	
3	CE04302101	FILTER LID + SEAL + NUTS		13	CE04040115	O' RING D. 60X8	
4	CE04302102	209 X 6 O'RING		14	CE04130107	ANONYMOUS CAP	
5	CE04302103	SET FILTER RING		15	* CE04302107	FILTER BASE D. 400	
6	CE04020116	O' RING 255X4		15	* CE04020000	FILTER BASE D. 450	
7	CE04010108	WATER PURGE 3/8"		15	* CE04302108	FILTER BASE D. 500	
8	CE04040113	DRAIN PLUG AND GASKET		15	* CE04302109	FILTER BASE D. 660/750	
9	CE04040108	AIR PURGE		15	* CE04302110	FILTER BASE D. 750	
10	* CE04301004	DIFFUSER CONE D. 50		15	* CE04020001	FILTER BASE D. 900	
10	* CE04300910	DIFFUSER CONE D. 63		16	* CE04010135	DIFFUSER ASSEMBLY ASTER D. 350	
11	* CE04300917	MANIFOLD ARM 1" 110 M "		16	* CE04010136	DIFFUSER ASSEMBLY ASTER D. 450	
11	* CE04300915	MANIFOLD ARM 1" 175 M "		16	* CE04010118	DIFFUSER ASSEMBLY D. 500	

* SEE OBSERVATIONS SHEET



PARTS BREAKDOWN

REV.: 3
DATE: 02/11/2020
SHEET: 2/3

556

CODE **FFRS0351, FFRS0451, FFRS0501, FFRS0601, FFRS0751, FFRS0901**

DESCRIPTION: **FLORIDA II FILTER**

11	* CE04300916	MANIFOLD ARM 1" 225 M "	16	* CE04010119	DIFFUSER ASSEMBLY D. 600
11	* CE04290109	COLLECTOR ARM 1" 265 M "	16	* CE04010120	DIFFUSER ASSEMBLY D. 750
16	* CE04010121	DIFFUSER ASSEMBLY D. 900	17	* CE04010117	MANIFOLD ASSEMBLY D. 900
17	* CE04010131	MANIFOLD ASSEMBLY D. 350	18	* CE04010025	MANIFOLD ARM ASSEMBLY D. 400
17	* CE04010132	MANIFOLD ASSEMBLY D. 450	18	* CE04010026	MANIFOLD ARM ASSEMBLY
17	* CE04010114	MANIFOLD ASSEMBLY D. 500	18	* CE04010028	MANIFOLD ARM ASSEMBLY D. 650
17	* CE04010115	MANIFOLD ASSEMBLY D. 600	18	* CE04010048	MANIFOLD ARM ASSEMBLY D. 750
17	* CE04010116	MANIFOLD ASSEMBLY D. 750			

CODE **FFRS0351, FFRS0451, FFRS0501, FFRS0601, FFRS0751, FFRS0901**

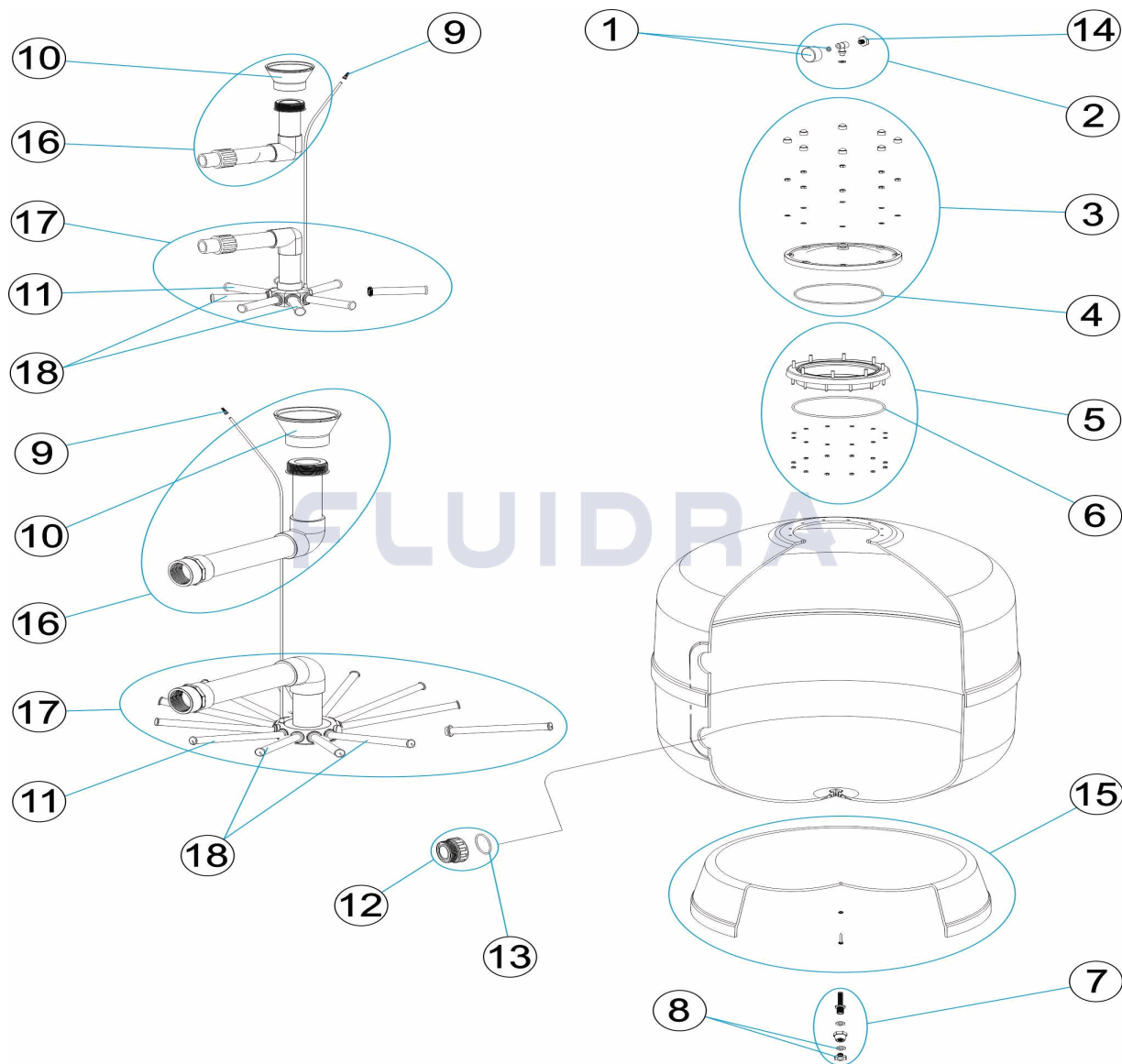
DESCRIPTION: **FLORIDA II FILTER**

OBSERVATIONS

POS	CODE	OBSERVATIONS
10	*CE04301004	FOR: FFRS0351, FFRS0451, FFRS0501, FFRS0601
10	*CE04300910	FOR: FFRS0751, FFRS0901
11	*CE04300917	FOR: FFRS0351 [4UT], FFRS0451 [4UT], FFRS0501 [4UT]
11	*CE04300915	FOR: FFRS0601 [4UT]
11	*CE04300916	FOR: FFRS0751 [6UT]
11	*CE04290109	FOR: FFRS0901 [6UT]
12	*CE04230107	FOR: FFRS0351, FFRS0451, FFRS0501, FFRS0601
12	*CE04302131	FOR: FFRS0751, FFRS0901
15	*CE04302107	FOR: FFRS0351
15	*CE04020000	FOR: FFRS0451
15	*CE04302108	FOR: FFRS0501
15	*CE04302109	FOR: FFRS0601
15	*CE04302110	FOR: FFRS0751
15	*CE04020001	FOR: FFRS0901
16	*CE04010135	FOR: FFRS0351
16	*CE04010136	FOR: FFRS0451
16	*CE04010118	FOR: FFRS0501
16	*CE04010119	FOR: FFRS0601
16	*CE04010120	FOR: FFRS0751
16	*CE04010121	FOR: FFRS0901
17	*CE04010131	FOR: FFRS0351
17	*CE04010132	FOR: FFRS0451
17	*CE04010114	FOR: FFRS0501
17	*CE04010115	FOR: FFRS0601
17	*CE04010116	FOR: FFRS0751
17	*CE04010117	FOR: FFRS0901
18	*CE04010025	FOR: FFRS0351, FFRS0451, FFRS0501
18	*CE04010026	FOR: FFRS0601
18	*CE04010028	FOR: FFRS0751
18	*CE04010048	FOR: FFRS0901

CODICE **FFRS0351, FFRS0451, FFRS0501, FFRS0601, FFRS0751, FFRS0901**

DESCRIZIONE: **FILTRO FLORIDA II**



ITALIANO

POS	CODICE	DESCRIZIONE	QUANTITA'	POS	CODICE	DESCRIZIONE	QUANTITA'
1	CE11020407	MANOMETRO 1/8" 3 KG./C "		12	* CE04230107	RACCORDO 1 1/2" + GUAR.	
2	CE11020206	MANOMETRO COMPLETO		12	* CE04302131	RACCORDO 2" + GUARNIZION "	
3	CE04302101	COPERCHIO FILTRO + GUARNIZIONE + GI		13	CE04040115	O-RING D 60X8	
4	CE04302102	O-RING 209X6		14	CE04130107	APPO 1/4" SCARICO ANONIMO CON GUAR	
5	CE04302103	KIT FLANGIA COPERCHIO		15	* CE04302107	BASE FILTRO D 400	
6	CE04020116	O-RING 255X4		15	* CE04020000	BASE FILTRO D 450	
7	CE04010108	SCARICO ACQUA 3/8"		15	* CE04302108	BASE FILTRO D 500	
8	CE04040113	TAPPO SPURGO E GUARNIZIONE		15	* CE04302109	BASE FILTRO D 660/750	
9	CE04040108	SFIATO ARIA		15	* CE04302110	BASE FILTRO D. 750	
10	* CE04301004	CONO DIFFUSORE D. 50		15	* CE04020001	BASE FILTRO D 900	
10	* CE04300910	CONO DIFFUSORE D. 63		16	* CE04010135	RACCORDO DIFFUSORE ASTER D. 350	
11	* CE04300917	CANDELOTTO COLLECTORE 1" 110 M "		16	* CE04010136	RACCORDO DIFFUSORE ASTER D. 450	
11	* CE04300915	CANDELOTTO COLLECTORE 1" 175 M "		16	* CE04010118	RACCORDO DIFFUSORE D. 500	

* SI FACCIA RIFERIMENTO AL FOGLIO DELLE OSSERVAZIONI

CODICE **FFRS0351, FFRS0451, FFRS0501, FFRS0601, FFRS0751, FFRS0901**DESCRIZIONE: **FILTRO FLORIDA II**

11	* CE04300916	CANDELOTTO COLLECTORE 1" 225 M "	16	* CE04010119	RACCORDO DIFFUSORE D. 600
11	* CE04290109	CANDELOTTO 1" 265 M/M "	16	* CE04010120	RACCORDO DIFFUSORE D. 750
16	* CE04010121	RACCORDO DIFFUSORE D. 900	17	* CE04010117	KIT COLLETTORE D. 900
17	* CE04010131	KIT COLLETTORE D. 350	18	* CE04010025	GRUPPO CANDELOTTO COLLECTORE D. 4
17	* CE04010132	KIT COLLETTORE D. 450	18	* CE04010026	GRUPPO CANDELOTTO COLLECTORE
17	* CE04010114	KIT COLLETTORE D. 500	18	* CE04010028	GRUPPO CANDELOTTO COLLECTORE D. 6
17	* CE04010115	KIT COLLETTORE D. 600	18	* CE04010048	GRUPPO CANDELOTTO COLLECTORE D. 7
17	* CE04010116	KIT COLLETTORE D. 750			

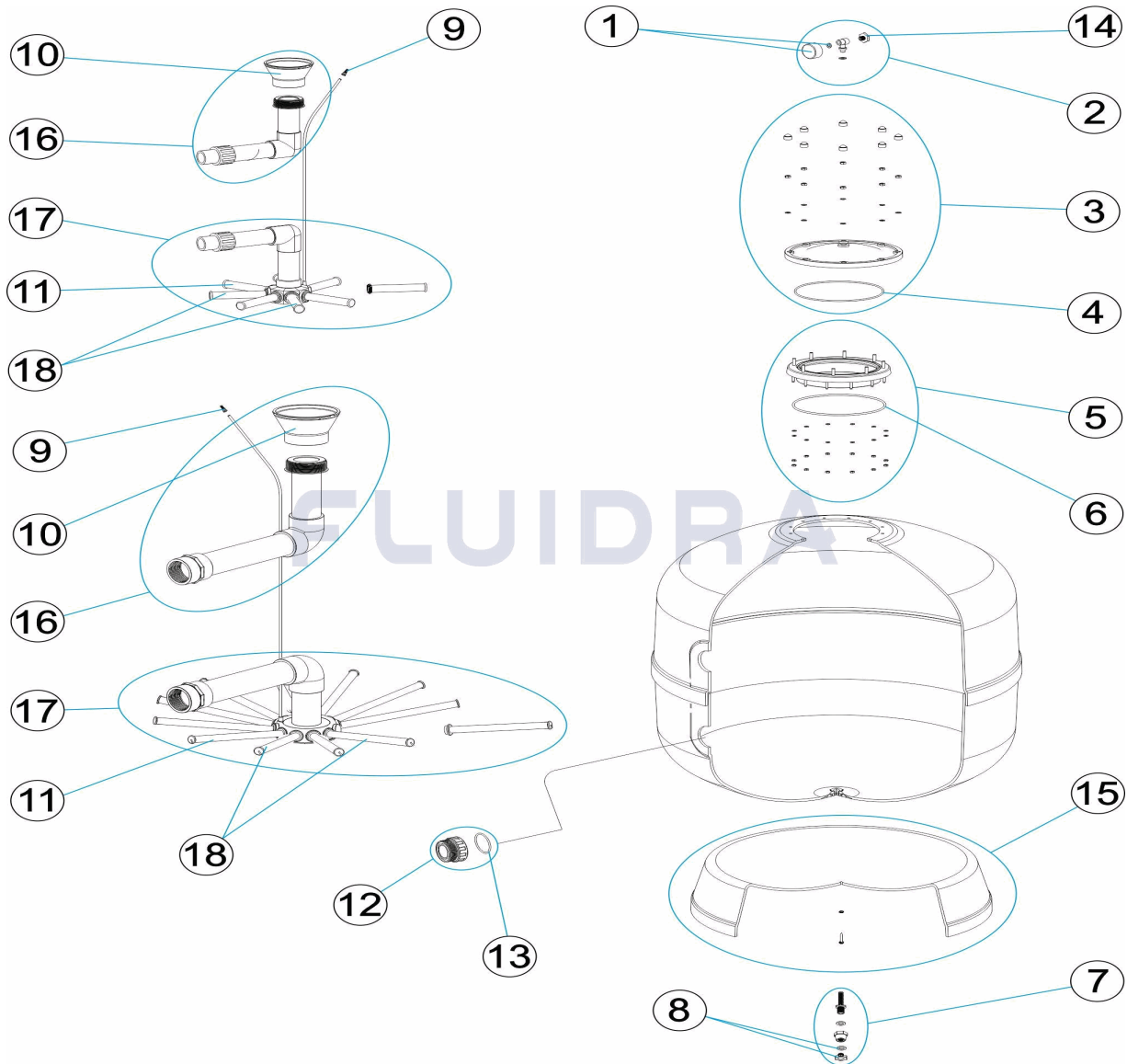
CODICE **FFRS0351, FFRS0451, FFRS0501, FFRS0601, FFRS0751, FFRS0901**

DESCRIZIONE: **FILTRO FLORIDA II**

OSSERVAZIONI

POS	CODICE	OSSERVAZIONI
10	*CE04301004	PER: FFRS0351, FFRS0451, FFRS0501, FFRS0601
10	*CE04300910	PER: FFRS0751, FFRS0901
11	*CE04300917	PER: FFRS0351 [4UT], FFRS0451 [4UT], FFRS0501 [4UT]
11	*CE04300915	PER: FFRS0601 [4UT]
11	*CE04300916	PER: FFRS0751 [6UT]
11	*CE04290109	PER: FFRS0901 [6UT]
12	*CE04230107	PER: FFRS0351, FFRS0451, FFRS0501, FFRS0601
12	*CE04302131	PER: FFRS0751, FFRS0901
15	*CE04302107	PER: FFRS0351
15	*CE04020000	PER: FFRS0451
15	*CE04302108	PER: FFRS0501
15	*CE04302109	PER: FFRS0601
15	*CE04302110	PER: FFRS0751
15	*CE04020001	PER: FFRS0901
16	*CE04010135	PER: FFRS0351
16	*CE04010136	PER: FFRS0451
16	*CE04010118	PER: FFRS0501
16	*CE04010119	PER: FFRS0601
16	*CE04010120	PER: FFRS0751
16	*CE04010121	PER: FFRS0901
17	*CE04010131	PER: FFRS0351
17	*CE04010132	PER: FFRS0451
17	*CE04010114	PER: FFRS0501
17	*CE04010115	PER: FFRS0601
17	*CE04010116	PER: FFRS0751
17	*CE04010117	PER: FFRS0901
18	*CE04010025	PER: FFRS0351, FFRS0451, FFRS0501
18	*CE04010026	PER: FFRS0601
18	*CE04010028	PER: FFRS0751
18	*CE04010048	PER: FFRS0901

CODE **FFRS0351, FFRS0451, FFRS0501, FFRS0601, FFRS0751, FFRS0901**

 BESCHREIBUNG: **FILTER FLORIDA II**

DEUTSCH

POS	CODE	BESCHREIBUNG	MENGE	POS	CODE	BESCHREIBUNG	MENGE
1	CE11020407	MANOMETER 1/8" 3 KG/C "		12	* CE04230107	GEWINDESTÜCK 1 1/2" UND O-RIN "	
2	CE11020206	MANOMETER KOMPLETT		12	* CE04302131	GEWINDESTÜCK 2" UND DICHTUN "	
3	CE04302101	FILTERDECKEL, DICHTUNG UND MUTTER!		13	CE04040115	O-RING D. 60 X 8	
4	CE04302102	O-RING 209 X 6		14	CE04130107	ABLASSTOPFEN 1/4" ANONYM UND DICHT	
5	CE04302103	SET FILTERRING		15	* CE04302107	FILTERFUSS D. 400	
6	CE04020116	O-RING 255 X 4		15	* CE04020000	FILTERFUSS D. 450	
7	CE04010108	WASSERABLASS 3/8"		15	* CE04302108	FILTERFUSS D. 500	
8	CE04040113	ABLASSTOPFEN UND DICHTUNG		15	* CE04302109	FILTERFUSS D. 600/750	
9	CE04040108	ENTLÜFTUNG		15	* CE04302110	FILTERFUSS D. 750	
10	* CE04301004	KEGEL WASSERVEITEILER D. 50		15	* CE04020001	FILTERFUSS D. 900	
10	* CE04300910	KEGEL WASSERVEITEILER D. 63		16	* CE04010135	SET WASSERVEITEILER ASTER 350	
11	* CE04300917	FILTERSTERN-SCHLITZROHR 1" 110 M "		16	* CE04010136	SET WASSERVEITEILER ASTER 450	
11	* CE04300915	FILTERSTERN-SCHLITZROHR 1" 175 M "		16	* CE04010118	SET WASSERVEITEILER D. 500	

CODE **FFRS0351, FFRS0451, FFRS0501, FFRS0601, FFRS0751, FFRS0901**

BESCHREIBUNG: **FILTER FLORIDA II**

11	* CE04300916	FILTERSTERN-SCHLITZROHR 1" 225 M "	16	* CE04010119	SET WASSERVERTEILER D. 600
11	* CE04290109	FILTERSTERN-SCHLITZROHR 1" 265 M "	16	* CE04010120	SET WASSERVERTEILER D. 750
16	* CE04010121	SET WASSERVERTEILER D. 900	17	* CE04010117	SAMMELROHRSET D. 900
17	* CE04010131	SAMMELROHRSET D. 350	18	* CE04010025	SET FILTERSTERN-SCHLITZROHR D. 400
17	* CE04010132	SAMMELROHRSET D. 450	18	* CE04010026	SET FILTERSTERN-SCHLITZROHR
17	* CE04010114	SAMMELROHRSET D. 500	18	* CE04010028	SET FILTERSTERN-SCHLITZROHR D. 650
17	* CE04010115	SAMMELROHRSET D. 600	18	* CE04010048	SET FILTERSTERN-SCHLITZROHR D. 750
17	* CE04010116	SAMMELROHRSET D. 750			

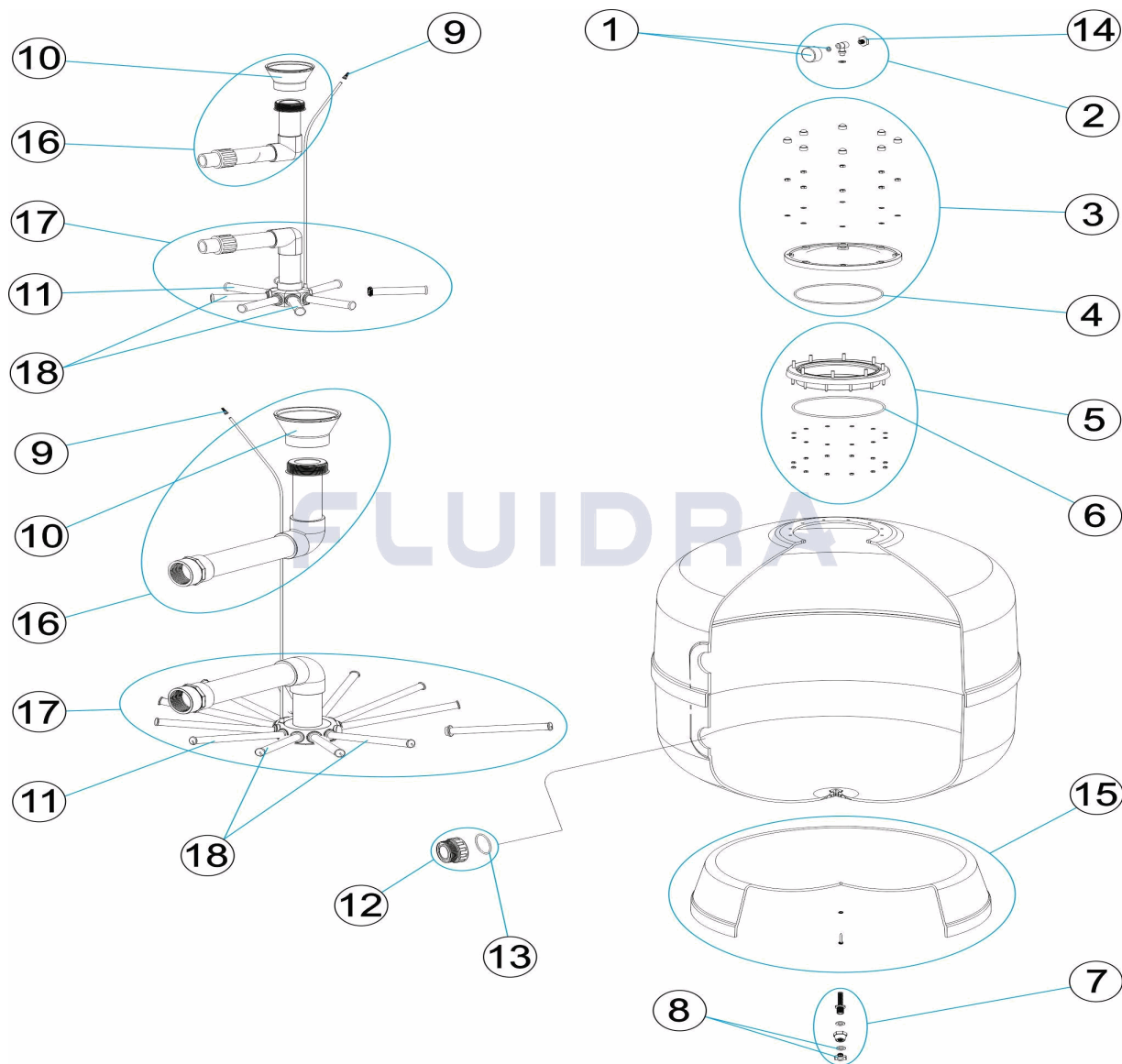
CODE **FFRS0351, FFRS0451, FFRS0501, FFRS0601, FFRS0751, FFRS0901**

BESCHREIBUNG: **FILTER FLORIDA II**

HINWEISE

POS	CODE	HINWEISE
10	*CE04301004	FÜR: FFRS0351, FFRS0451, FFRS0501, FFRS0601
10	*CE04300910	FÜR: FFRS0751, FFRS0901
11	*CE04300917	FÜR: FFRS0351 [4UT], FFRS0451 [4UT], FFRS0501 [4UT]
11	*CE04300915	FÜR: FFRS0601 [4UT]
11	*CE04300916	FÜR: FFRS0751 [6UT]
11	*CE04290109	FÜR: FFRS0901 [6UT]
12	*CE04230107	FÜR: FFRS0351, FFRS0451, FFRS0501, FFRS0601
12	*CE04302131	FÜR: FFRS0751, FFRS0901
15	*CE04302107	FÜR: FFRS0351
15	*CE04020000	FÜR: FFRS0451
15	*CE04302108	FÜR: FFRS0501
15	*CE04302109	FÜR: FFRS0601
15	*CE04302110	FÜR: FFRS0751
15	*CE04020001	FÜR: FFRS0901
16	*CE04010135	FÜR: FFRS0351
16	*CE04010136	FÜR: FFRS0451
16	*CE04010118	FÜR: FFRS0501
16	*CE04010119	FÜR: FFRS0601
16	*CE04010120	FÜR: FFRS0751
16	*CE04010121	FÜR: FFRS0901
17	*CE04010131	FÜR: FFRS0351
17	*CE04010132	FÜR: FFRS0451
17	*CE04010114	FÜR: FFRS0501
17	*CE04010115	FÜR: FFRS0601
17	*CE04010116	FÜR: FFRS0751
17	*CE04010117	FÜR: FFRS0901
18	*CE04010025	FÜR: FFRS0351, FFRS0451, FFRS0501
18	*CE04010026	FÜR: FFRS0601
18	*CE04010028	FÜR: FFRS0751
18	*CE04010048	FÜR: FFRS0901

CODIGO **FFRS0351, FFRS0451, FFRS0501, FFRS0601, FFRS0751, FFRS0901**

 DESCRIÇÃO: **FILTRO FLORIDA II**


PORTUGUES

POS	CODIGO	DESCRIÇÃO	JANTIDADE	POS	CODIGO	DESCRIÇÃO	JANTIDADE
1	CE11020407	MANOMETRO 1/8" 3 KG./C "		12	* CE04230107	RACORD 1 1/2" + JUNTA	
2	CE11020206	MANÓMETRO COMPLETO		12	* CE04302131	ACOPLADOR 2" E JUNT "	
3	CE04302101	TAMPA FILTRO + JUNTA		13	CE04040115	JUNTA TÓRICA D 60X8	
4	CE04302102	JUNTA TÓRICA 209X6		14	CE04130107	TAMPÃO PURGA 1/4" ANONIMO COM JUNT	
5	CE04302103	CONJUNTO ARO PROLONGADOR		15	* CE04302107	PÉ FILTRO D 400	
6	CE04020116	JUNTA TÓRICA 255X4		15	* CE04020000	PÉ FILTRO D 450	
7	CE04010108	PURGA AGUA 3/8"		15	* CE04302108	PÉ FILTRO D 500	
8	CE04040113	TAMPÃO PURGA E JUNTA		15	* CE04302109	PÉ FILTRO D 660/750	
9	CE04040108	PURGA AREIA		15	* CE04302110	PÉ FILTRO D. 750	
10	* CE04301004	CONO DIFUSOR D. 50		15	* CE04020001	PÉ FILTRO D 900	
10	* CE04300910	CONO DIFUSOR D. 63		16	* CE04010135	CJTO. DIFUSOR ASTER D. 350	
11	* CE04300917	BRAÇO COLECTOR 1" 110 M "		16	* CE04010136	CJTO. DIFUSOR ASTER D. 450	
11	* CE04300915	BRAÇO COLECTOR 1" 175 M "		16	* CE04010118	CJTO. DIFUSOR D. 500	

* VEJA A FICHA DE OBSERVAÇÕES

CODIGO **FFRS0351, FFRS0451, FFRS0501, FFRS0601, FFRS0751, FFRS0901**DESCRICAÇÃO: **FILTRO FLORIDA II**

11	* CE04300916	BRAÇO COLECTOR 1" 225 M "	16	* CE04010119	CJTO. DIFUSOR D. 600
11	* CE04290109	BRAÇO COLECTOR 1" 265 M/M "	16	* CE04010120	CJTO. DIFUSOR D. 750
16	* CE04010121	CJTO. DIFUSOR D. 900	17	* CE04010117	CJTO. COLECTOR D. 900
17	* CE04010131	CJTO. COLECTOR D. 350	18	* CE04010025	CJTO. BRAÇO COLECTOR D. 400
17	* CE04010132	CJTO. COLECTOR D. 450	18	* CE04010026	CJTO. BRAÇO COLECTOR
17	* CE04010114	CJTO. COLECTOR D. 500	18	* CE04010028	CJTO. BRAÇO COLECTOR D.650
17	* CE04010115	CJTO. COLECTOR D. 600	18	* CE04010048	CJTO. BRAÇO COLECTOR D. 750
17	* CE04010116	CJTO. COLECTOR D. 750			

CODIGO FFRS0351, FFRS0451, FFRS0501, FFRS0601, FFRS0751, FFRS0901

DESCRIÇÃO: FILTRO FLORIDA II

OBSERVAÇÕES

POS	CODIGO	OBSERVAÇÕES
10	*CE04301004	PARA: FFRS0351, FFRS0451, FFRS0501, FFRS0601
10	*CE04300910	PARA: FFRS0751, FFRS0901
11	*CE04300917	PARA: FFRS0351 [4UT], FFRS0451 [4UT], FFRS0501 [4UT]
11	*CE04300915	PARA: FFRS0601 [4UT]
11	*CE04300916	PARA: FFRS0751 [6UT]
11	*CE04290109	PARA: FFRS0901 [6UT]
12	*CE04230107	PARA: FFRS0351, FFRS0451, FFRS0501, FFRS0601
12	*CE04302131	PARA: FFRS0751, FFRS0901
15	*CE04302107	PARA: FFRS0351
15	*CE04020000	PARA: FFRS0451
15	*CE04302108	PARA: FFRS0501
15	*CE04302109	PARA: FFRS0601
15	*CE04302110	PARA: FFRS0751
15	*CE04020001	PARA: FFRS0901
16	*CE04010135	PARA: FFRS0351
16	*CE04010136	PARA: FFRS0451
16	*CE04010118	PARA: FFRS0501
16	*CE04010119	PARA: FFRS0601
16	*CE04010120	PARA: FFRS0751
16	*CE04010121	PARA: FFRS0901
17	*CE04010131	PARA: FFRS0351
17	*CE04010132	PARA: FFRS0451
17	*CE04010114	PARA: FFRS0501
17	*CE04010115	PARA: FFRS0601
17	*CE04010116	PARA: FFRS0751
17	*CE04010117	PARA: FFRS0901
18	*CE04010025	PARA: FFRS0351, FFRS0451, FFRS0501
18	*CE04010026	PARA: FFRS0601
18	*CE04010028	PARA: FFRS0751
18	*CE04010048	PARA: FFRS0901