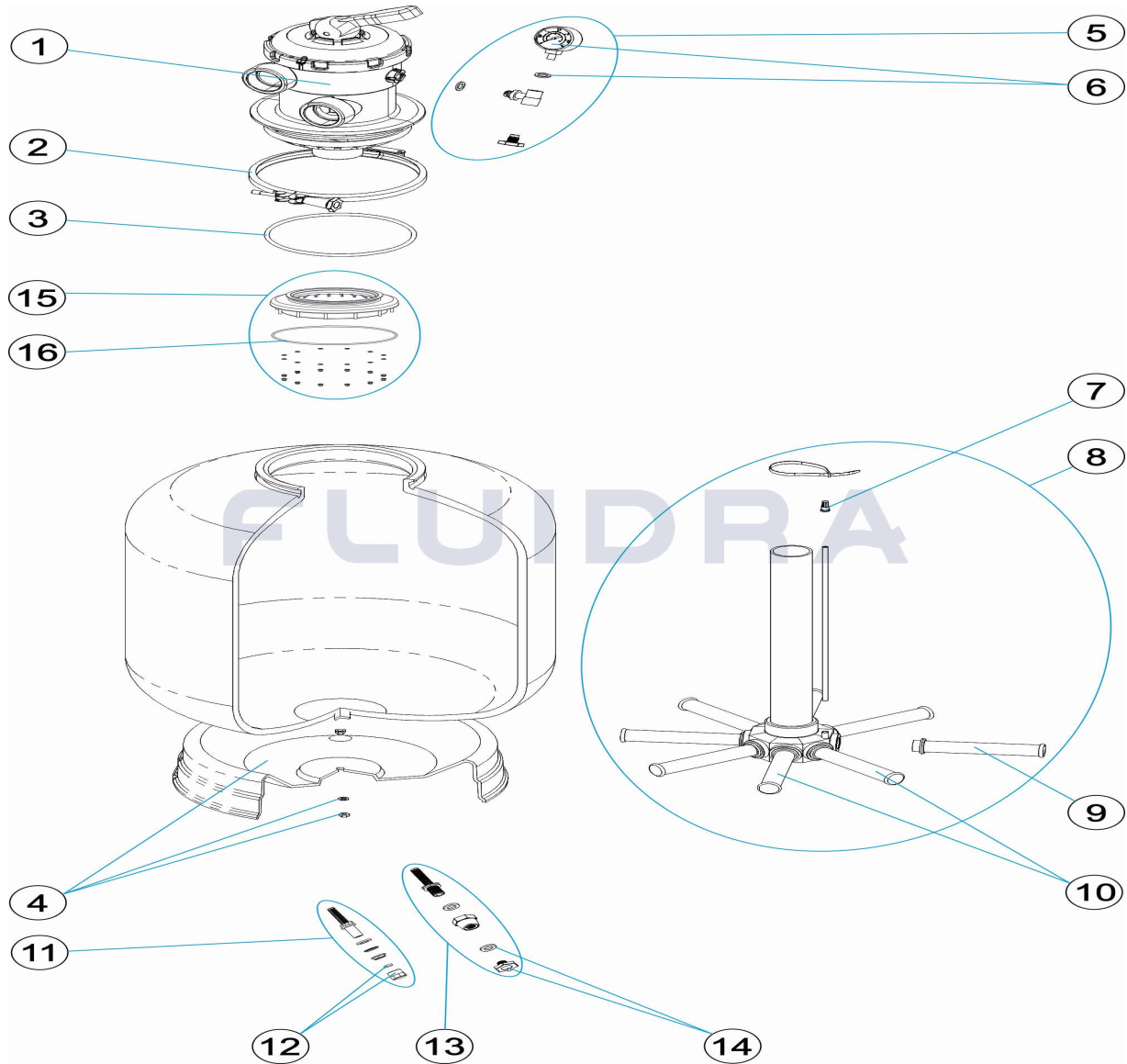


CODIGO **BWT400, BWT500, BWT600, BWT750, BWT900**

DESCRIPCION: **FILTRO HAWAII TOP D. 400-900**



ESPAÑOL

POS	CODIGO	DESCRIPCION	CANTIDAD	POS	CODIGO	DESCRIPCION	CANTIDAD
1	* MPV15/M2TWC	VALVULA TOP		8	* CE04010336	CJTO. COLECTOR D. 750 TOP	
1	* MPV20/M2TWC	VALVULA TOP		8	* CE04010337	CJTO. COLECTOR D. 900 TOP	
2	CE04080103	ANILLO CIERRE 203 NEGRO		9	* CE04300917	BRAZO COLECTOR 1" 110 M "	
3	CE04080101	JUNTA TORICA TAPA		9	* CE04300915	BRAZO COLECTOR 1" 175 M "	
4	* CE04020115	CJTO. PIE D. 400 - D. 500		9	* CE04300916	BRAZO COLECTOR 1" 225 M "	
4	* CE04010256	PIE FILTRO D. 500		10	* CE04010025	CJTO. BRAZOS COLECTOR D. 400	
4	* CE04010023	PIE FILTRO D. 650		10	* CE04010026	CJTO. BRAZOS COLECTOR	
4	* CE04300924	PIE FILTRO D. 750		10	* CE04010027	CJTO. BRAZOS COLECTOR D. 650	
4	* CE04010240	PIE FILTRO D. 900		11	* CE04070105	CREPINA PURGA 3/8'	
5	CE04180404	MANOMETRO COMPLETO		12	* CE04010108	PURGA AGUA 3/8"	
6	CE04180405	MANOMETRO 1/8" 3 KG/C "		13	* CE04010339	TAPON PURGA Y JUNTA	
7	CE04040108	PURGA AIRE		14	* CE04040113	TAPON PURGA Y JUNTA	
8	* CE04010080	CJTO. COLECTOR D. 400 TOP		15	* CE05040405	CJTO. ARO CUELLO	

CODIGO **BWT400, BWT500, BWT600, BWT750, BWT900**

DESCRIPCION: **FILTRO HAWAII TOP D. 400-900**

8	* CE04010081	CJTO. COLECTOR D. 500 TOP	16	* CE04020116	JUNTA TORICA 255X4
8	* CE04010082	CJTO. COLECTOR D. 600 TOP			

CODIGO BWT400, BWT500, BWT600, BWT750, BWT900

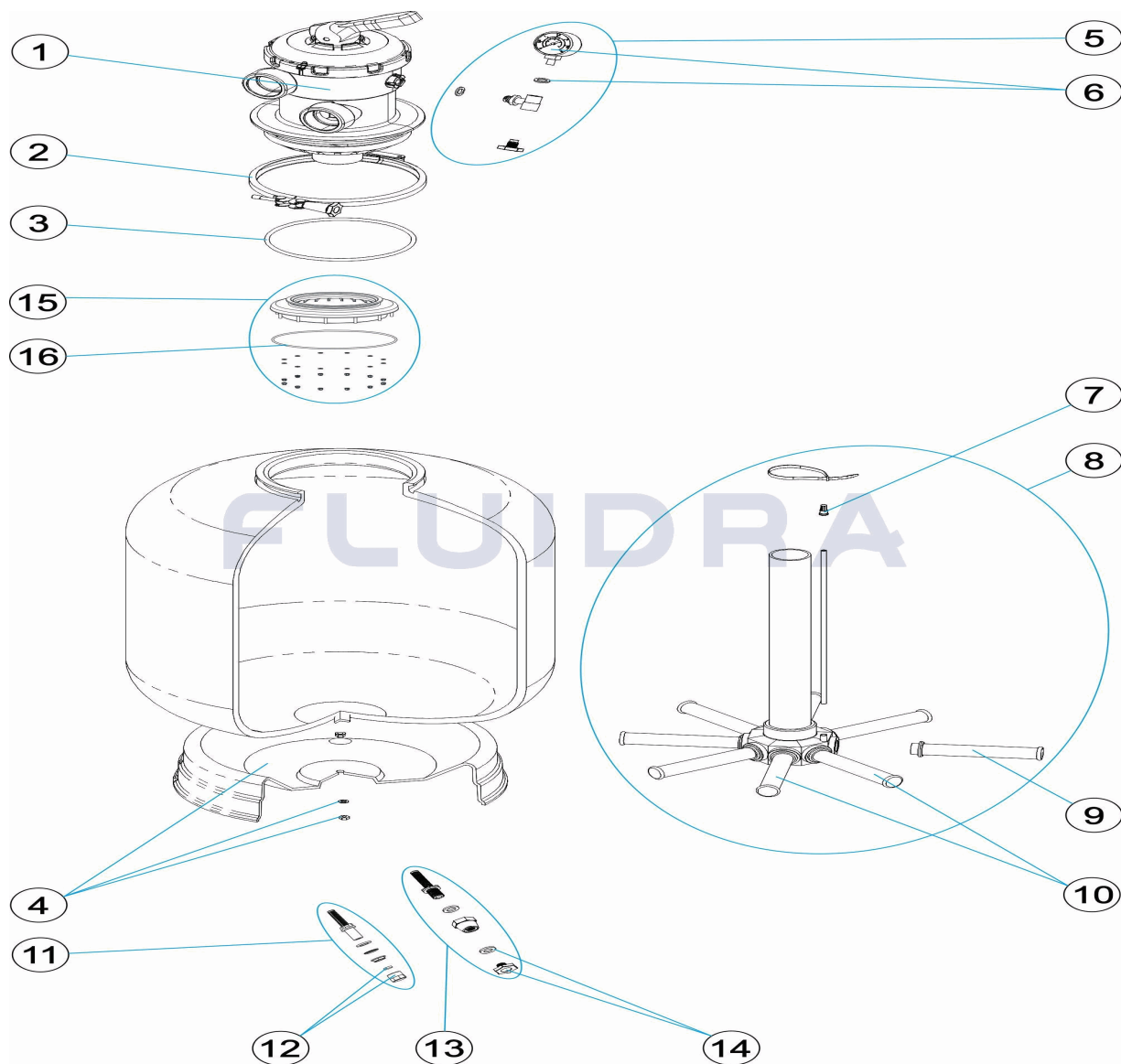
DESCRIPCION: FILTRO HAWAII TOP D. 400-900

OBSERVACIONES

POS	CODIGO	OBSERVACIONES
1	*MPV15/M2TWC	PARA: BWT400, BWT500, BWT600
1	*MPV20/M2TWC	PARA: BWT750, BWT900
4	*CE04020115	PARA: BWT400
4	*CE04010256	PARA: BWT500
4	*CE04010023	PARA: BWT600
4	*CE04300924	PARA: BWT750
4	*CE04010240	PARA: BWT900
8	*CE04010080	PARA: BWT400
8	*CE04010081	PARA: BWT500
8	*CE04010082	PARA: BWT600
8	*CE04010336	PARA: BWT750
8	*CE04010337	PARA: BWT900
9	*CE04300917	PARA: BWT400 [4UNIDADES], BWT750 [4UNIDADES]
9	*CE04300915	PARA: BWT500 [4UNIDADES], BWT900 [4UNIDADES]
9	*CE04300916	PARA: BWT600 [4UNIDADES]
10	*CE04010025	PARA: BWT400, BWT750
10	*CE04010026	PARA: BWT500, BWT900
10	*CE04010027	PARA: BWT600
11	*CE04070105	PARA: BWT400, BWT500, BWT600
12	*CE04010108	PARA: BWT750, BWT900
13	*CE04010339	PARA: BWT400, BWT500, BWT600
14	*CE04040113	PARA: BWT750, BWT900
15	*CE05040405	PARA: BWT750, BWT900
16	*CE04020116	PARA: BWT750, BWT900

CODE **BWT400, BWT500, BWT600, BWT750, BWT900**

DESCRIPTION: **FILTRE HAWAII TOP D. 400-900**



FRANCAIS

POS	CODE	DESCRIPTION	QUANTITE	POS	CODE	DESCRIPTION	QUANTITE
1	* MPV15/M2TWC	VANNE MULTIVOIES AUTOMATIQUE		8	* CE04010336	ENSEMBLE COLLECTEUR D. 750 TOP	
1	* MPV20/M2TWC	VANNE MULTIVOIES AUTOMATIQUE		8	* CE04010337	ENSEMBLE COLLECTEUR D. 900 TOP	
2	CE04080103	COLLIER DE FERMETURE 203 NOIR		9	* CE04300917	BRAS DE REPARTITEUR 1" 110 M "	
3	CE04080101	JOINT TORIQUE COUVERCLE		9	* CE04300915	BRAS DE REPARTITEUR 1" 175 M "	
4	* CE04020115	SOCLE FILTRE D. 400 - D. 500		9	* CE04300916	BRAS DE REPARTITEUR 1" 225 M "	
4	* CE04010256	SOCLE FILTRE D. 500		10	* CE04010025	ENSEMBLE BRAS DE REPARTITEUR D. 400	
4	* CE04010023	SOCLE FILTRE D 650		10	* CE04010026	ENSEMBLE BRAS DE REPARTITEUR	
4	* CE04300924	SOCLE FILTRE D 750		10	* CE04010027	ENSEMBLE BRAS DE REPARTITEUR D. 650	
4	* CE04010240	SOCLE FILTRE D. 900		11	* CE04070105	CREPINE DE PURGE 3/8"	
5	CE04180404	MANOMETRE COMPLET		12	* CE04010108	PURGE D'EAU 3/8"	
6	CE04180405	MANOMETRE 1/8" 3 KG./C "		13	* CE04010339	BOUCHON PURGE ET JOINT	
7	CE04040108	PURGE D'AIR		14	* CE04040113	BOUCHON PURGE ET JOINT	
8	* CE04010080	ENSEMBLE COLLECTEUR D. 400 TOP		15	* CE05040405	ENSEMBLE " BAGUE JOIN "	

CODE **BWT400, BWT500, BWT600, BWT750, BWT900**DESCRIPTION: **FILTRE HAWAII TOP D. 400-900**

8	* CE04010081	ENSEMBLE COLLECTEUR D. 500 TOP	16	* CE04020116	JOINT TORIQUE 255X4
8	* CE04010082	ENSEMBLE COLLECTEUR D. 600 TOP			

CODE **BWT400, BWT500, BWT600, BWT750, BWT900**

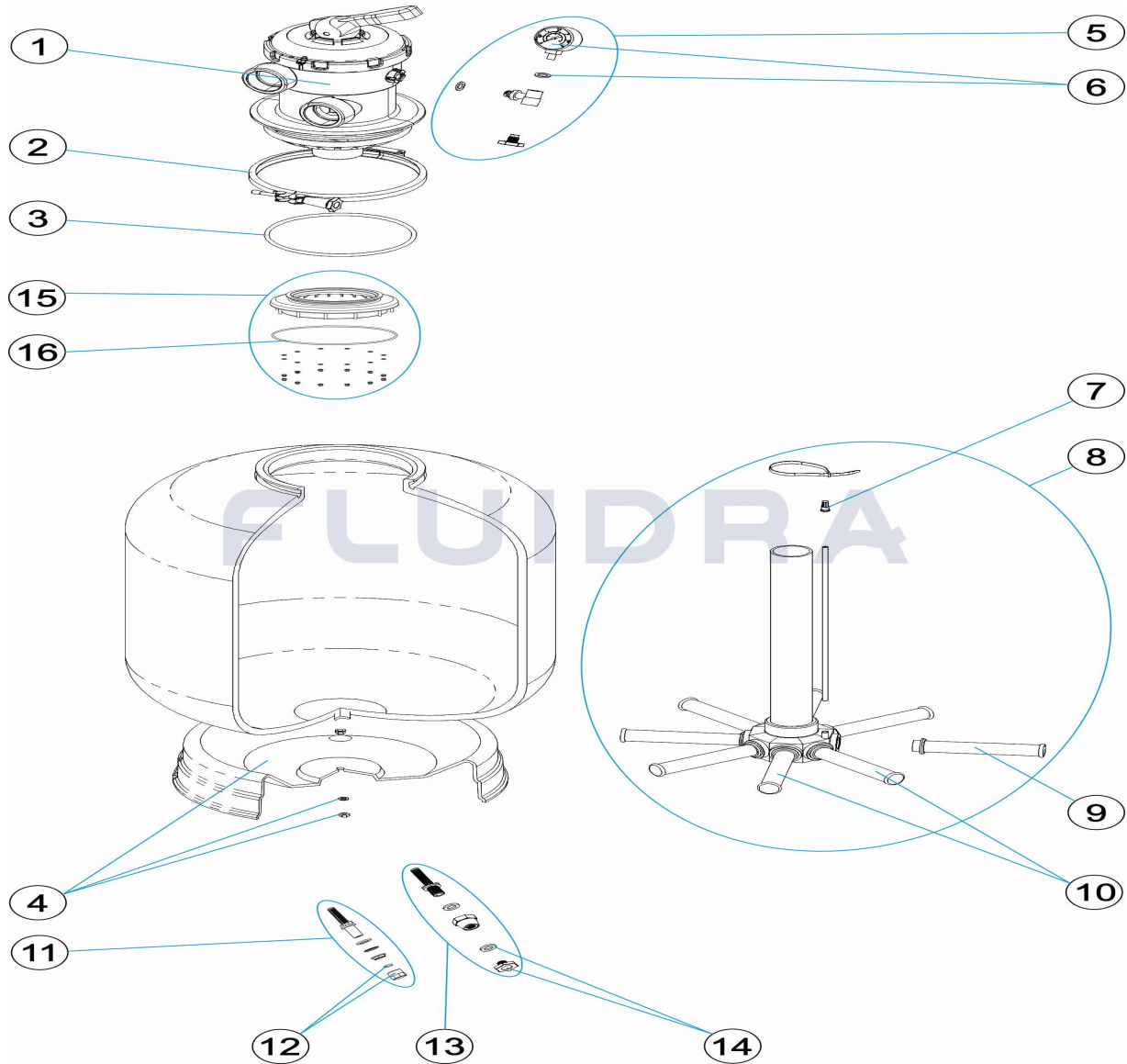
DESCRIPTION: **FILTRE HAWAII TOP D. 400-900**

OBSERVATIONS

POS	CODE	OBSERVATIONS
1	*MPV15/M2TWC	POUR: BWT400, BWT500, BWT600
1	*MPV20/M2TWC	POUR: BWT750, BWT900
4	*CE04020115	POUR: BWT400
4	*CE04010256	POUR: BWT500
4	*CE04010023	POUR: BWT600
4	*CE04300924	POUR: BWT750
4	*CE04010240	POUR: BWT900
8	*CE04010080	POUR: BWT400
8	*CE04010081	POUR: BWT500
8	*CE04010082	POUR: BWT600
8	*CE04010336	POUR: BWT750
8	*CE04010337	POUR: BWT900
9	*CE04300917	POUR: BWT400 [4UT], BWT750 [4UT]
9	*CE04300915	POUR: BWT500 [4UT], BWT900 [4UT]
9	*CE04300916	POUR: BWT600 [4UT]
10	*CE04010025	POUR: BWT400, BWT750
10	*CE04010026	POUR: BWT500, BWT900
10	*CE04010027	POUR: BWT600
11	*CE04070105	POUR: BWT400, BWT500, BWT600
12	*CE04010108	POUR: BWT750, BWT900
13	*CE04010339	POUR: BWT400, BWT500, BWT600
14	*CE04040113	POUR: BWT750, BWT900
15	*CE05040405	POUR: BWT750, BWT900
16	*CE04020116	POUR: BWT750, BWT900

CODE **BWT400, BWT500, BWT600, BWT750, BWT900**

DESCRIPTION: **HAWAII TOP FILTER D. 400-900**



ENGLISH

POS	CODE	DESCRIPTION	QUANTITY	POS	CODE	DESCRIPTION	QUANTITY
1	* MPV15/M2TWC	BAYONETTE MULTIPOINT VALVE		8	* CE04010336	MANIFOLD ASSEMBLY D. 750 TOP	
1	* MPV20/M2TWC	BAYONETTE MULTIPOINT VALVE		8	* CE04010337	MANIFOLD ASSEMBLY D. 900 TOP	
2	CE04080103	BLACK LOCKING FIXTURE 203		9	* CE04300917	MANIFOLD ARM 1" 110 M "	
3	CE04080101	LID 'O' RING		9	* CE04300915	MANIFOLD ARM 1" 175 M "	
4	* CE04020115	FILTER BASE D. 400 - D. 500		9	* CE04300916	MANIFOLD ARM 1" 225 M "	
4	* CE04010256	FILTER BASE D. 500		10	* CE04010025	MANIFOLD ARM ASSEMBLY D. 400	
4	* CE04010023	FILTER BASE D. 650		10	* CE04010026	MANIFOLD ARM ASSEMBLY	
4	* CE04300924	FILTER BASE D. 750		10	* CE04010027	MANIFOLD ARM ASSEMBLY D. 650	
4	* CE04010240	FILTER BASE D. 900		11	* CE04070105	DRAINAGE STRAINER NOZZLE 3/8"	
5	CE04180404	COMPLETE PRESSURE GAUGE UNIT		12	* CE04010108	WATER PURGE 3/8"	
6	CE04180405	PRESSURE GAUGE 1/8" 3 KG./C "		13	* CE04010339	DRAIN PLUG AND GASKET	
7	CE04040108	AIR PURGE		14	* CE04040113	DRAIN PLUG AND GASKET	
8	* CE04010080	MANIFOLD ASSEMBLY D. 400 TOP		15	* CE05040405	SET FILTER RING	



PARTS BREAKDOWN

REV.: 3
DATE: 28/09/2021
SHEET: 2/3

1156

CODE **BWT400, BWT500, BWT600, BWT750, BWT900**

DESCRIPTION: **HAWAII TOP FILTER D. 400-900**

8	* CE04010081	MANIFOLD ASSEMBLY D. 500 TOP	16	* CE04020116	O' RING 255X4
8	* CE04010082	MANIFOLD ASSEMBLY D. 600 TOP			

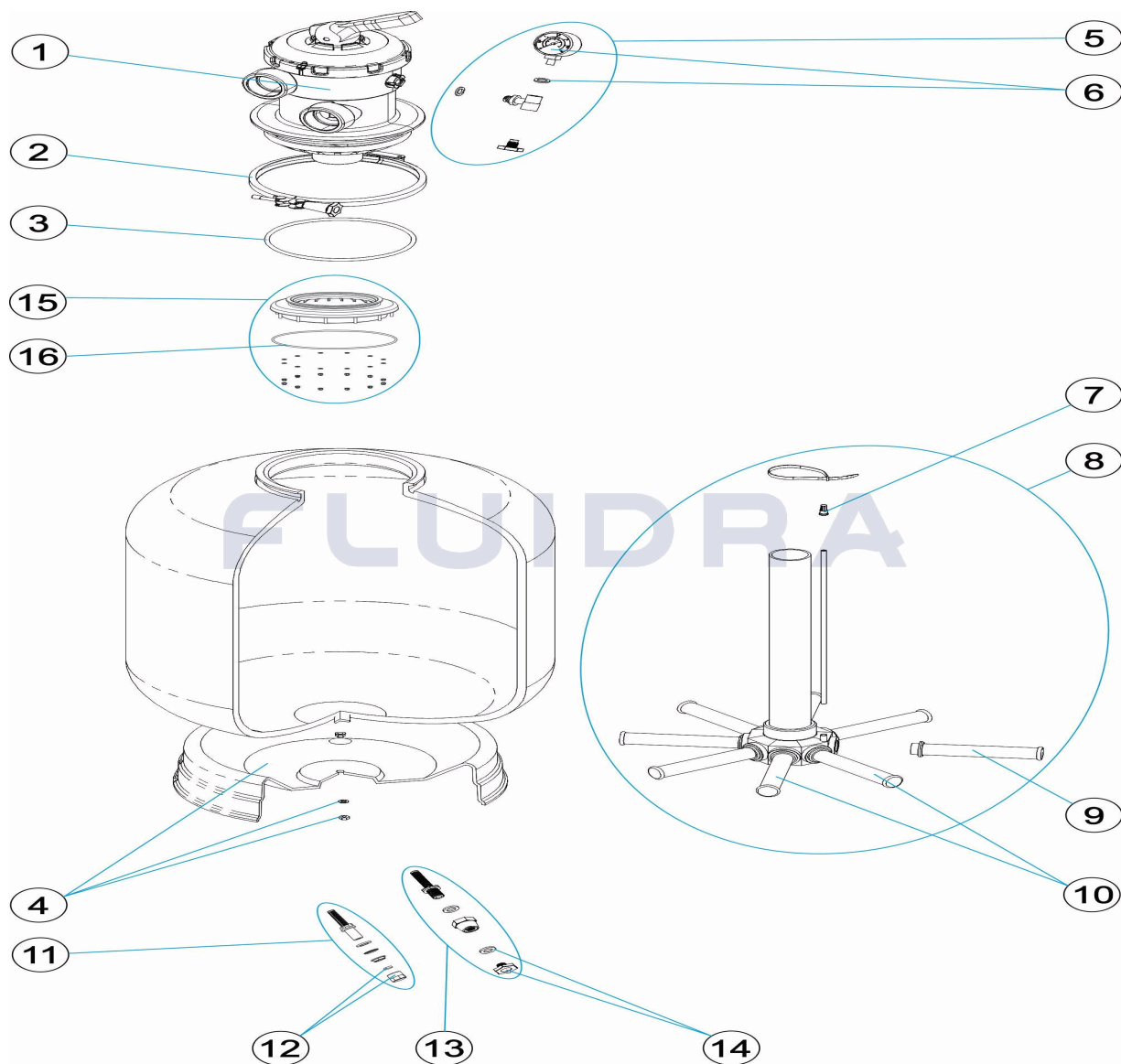
CODE **BWT400, BWT500, BWT600, BWT750, BWT900**

DESCRIPTION: **HAWAII TOP FILTER D. 400-900**

OBSERVATIONS

POS	CODE	OBSERVATIONS
1	*MPV15/M2TWC	FOR: BWT400, BWT500, BWT600
1	*MPV20/M2TWC	FOR: BWT750, BWT900
4	*CE04020115	FOR: BWT400
4	*CE04010256	FOR: BWT500
4	*CE04010023	FOR: BWT600
4	*CE04300924	FOR: BWT750
4	*CE04010240	FOR: BWT900
8	*CE04010080	FOR: BWT400
8	*CE04010081	FOR: BWT500
8	*CE04010082	FOR: BWT600
8	*CE04010336	FOR: BWT750
8	*CE04010337	FOR: BWT900
9	*CE04300917	FOR: BWT400 [4UT], BWT750 [4UT]
9	*CE04300915	FOR: BWT500 [4UT], BWT900 [4UT]
9	*CE04300916	FOR: BWT600 [4UT]
10	*CE04010025	FOR: BWT400, BWT750
10	*CE04010026	FOR: BWT500, BWT900
10	*CE04010027	FOR: BWT600
11	*CE04070105	FOR: BWT400, BWT500, BWT600
12	*CE04010108	FOR: BWT750, BWT900
13	*CE04010339	FOR: BWT400, BWT500, BWT600
14	*CE04040113	FOR: BWT750, BWT900
15	*CE05040405	FOR: BWT750, BWT900
16	*CE04020116	FOR: BWT750, BWT900

CODICE **BWT400, BWT500, BWT600, BWT750, BWT900**

 DESCRIZIONE: **FILTRO HAWAII TOP D. 400-900**

ITALIANO

POS	CODICE	DESCRIZIONE	QUANTITA'	POS	CODICE	DESCRIZIONE	QUANTITA'
1	* MPV15/M2TWC	VALVOLA TOP NERA A BAIONETTA A 6 VIE		8	* CE04010336	KIT COLLETTORE D. 750 TOP	
1	* MPV20/M2TWC	VALVOLA TOP NERA A BAIONETTA A 6 VIE		8	* CE04010337	KIT COLLETTORE D. 900 TOP	
2	CE04080103	ANELLO CHIUSURA 203 NERO		9	* CE04300917	CANDELOTTO COLLECTORE 1" 110 M "	
3	CE04080101	O-RING COPERCHIO		9	* CE04300915	CANDELOTTO COLLECTORE 1" 175 M "	
4	* CE04020115	BASE FILTRO D. 400 - D. 500		9	* CE04300916	CANDELOTTO COLLECTORE 1" 225 M "	
4	* CE04010256	BASE FILTRO D. 500		10	* CE04010025	GRUPPO CANDELOTTO COLLECTORE D. 4	
4	* CE04010023	BASE FILTRO D 650		10	* CE04010026	GRUPPO CANDELOTTO COLLECTORE	
4	* CE04300924	BASE FILTRO D 750		10	* CE04010027	GRUPPO CANDELOTTO COLLECTORE D. 6	
4	* CE04010240	BASE FILTRO D. 900		11	* CE04070105	DIFFUSORE SCARICO 3/8"	
5	CE04180404	MANOMETRO COMPLETO		12	* CE04010108	SCARICO ACQUA 3/8"	
6	CE04180405	MANOMETRO 1/8" 3 KG./C "		13	* CE04010339	TAPPO SPURGO E GUARNIZIONE	
7	CE04040108	SFIATO ARIA		14	* CE04040113	TAPPO SPURGO E GUARNIZIONE	
8	* CE04010080	KIT COLLETTORE D. 400 TOP		15	* CE05040405	KIT FLANGIA COPERCHIO	

CODICE **BWT400, BWT500, BWT600, BWT750, BWT900**DESCRIZIONE: **FILTRO HAWAII TOP D. 400-900**

8	* CE04010081	KIT COLLETTORE D. 500 TOP	16	* CE04020116	O-RING 255X4
8	* CE04010082	KIT COLLETTORE D. 600 TOP			

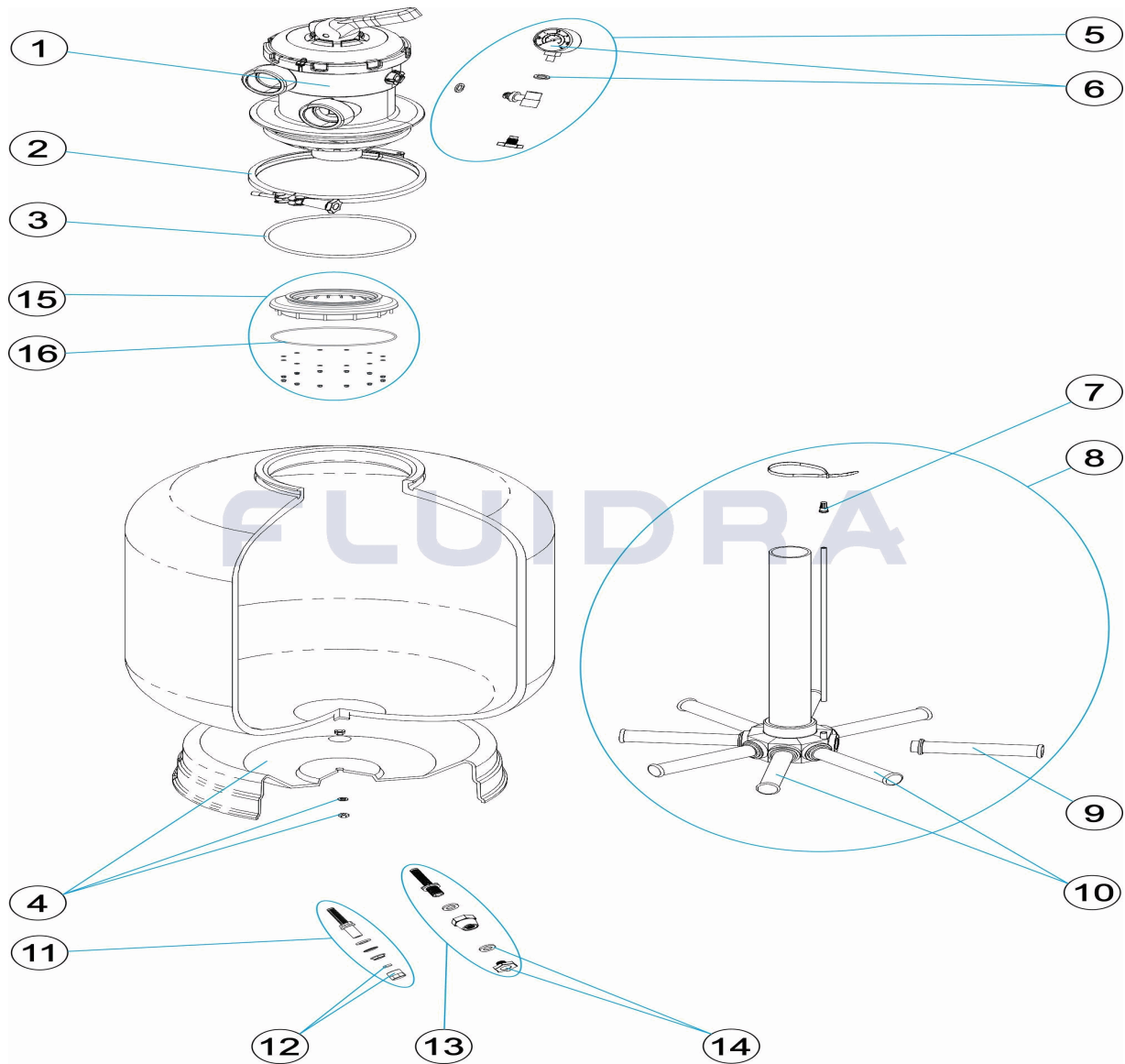
CODICE **BWT400, BWT500, BWT600, BWT750, BWT900**

DESCRIZIONE: **FILTRO HAWAII TOP D. 400-900**

OSSERVAZIONI

POS	CODICE	OSSERVAZIONI
1	*MPV15/M2TWC	PER: BWT400, BWT500, BWT600
1	*MPV20/M2TWC	PER: BWT750, BWT900
4	*CE04020115	PER: BWT400
4	*CE04010256	PER: BWT500
4	*CE04010023	PER: BWT600
4	*CE04300924	PER: BWT750
4	*CE04010240	PER: BWT900
8	*CE04010080	PER: BWT400
8	*CE04010081	PER: BWT500
8	*CE04010082	PER: BWT600
8	*CE04010336	PER: BWT750
8	*CE04010337	PER: BWT900
9	*CE04300917	PER: BWT400 [4UT], BWT750 [4UT]
9	*CE04300915	PER: BWT500 [4UT], BWT900 [4UT]
9	*CE04300916	PER: BWT600 [4UT]
10	*CE04010025	PER: BWT400, BWT750
10	*CE04010026	PER: BWT500, BWT900
10	*CE04010027	PER: BWT600
11	*CE04070105	PER: BWT400, BWT500, BWT600
12	*CE04010108	PER: BWT750, BWT900
13	*CE04010339	PER: BWT400, BWT500, BWT600
14	*CE04040113	PER: BWT750, BWT900
15	*CE05040405	PER: BWT750, BWT900
16	*CE04020116	PER: BWT750, BWT900

CODE **BWT400, BWT500, BWT600, BWT750, BWT900**

 BESCHREIBUNG: **FILTER HAWAII TOP D. 400-900**

DEUTSCH

POS	CODE	BESCHREIBUNG	MENGE	POS	CODE	BESCHREIBUNG	MENGE
1	* MPV15/M2TWC	AUTOMATISCHES RÜCKSPÜLVENTIL		8	* CE04010336	SAMMELROHRSET D. 750 TOP	
1	* MPV20/M2TWC	AUTOMATISCHES RÜCKSPÜLVENTIL		8	* CE04010337	SAMMELROHRSET D. 900 TOP	
2	CE04080103	SCHLISSRING 203 SCHWARZ		9	* CE04300917	FILTERSTERN-SCHLITZROHR 1" 110 M "	
3	CE04080101	O-RING ABDECKUNG		9	* CE04300915	FILTERSTERN-SCHLITZROHR 1" 175 M "	
4	* CE04020115	SET FUSS D. 400 - D. 500		9	* CE04300916	FILTERSTERN-SCHLITZROHR 1" 225 M "	
4	* CE04010256	FILTERFUSS D. 500		10	* CE04010025	SET FILTERSTERN-SCHLITZROHR D. 400	
4	* CE04010023	FILTERFUSS D. 650		10	* CE04010026	SET FILTERSTERN-SCHLITZROHR	
4	* CE04300924	FILTERFUSS D. 750		10	* CE04010027	SET FILTERSTERN-SCHLITZROHR D. 650	
4	* CE04010240	FILTERFUSS D. 900		11	* CE04070105	FILTERSTOPFEN ABLASS 3/8"	
5	CE04180404	MANOMETER KOMPLETT		12	* CE04010108	WASSERABLASS 3/8"	
6	CE04180405	MANOMETER 1/8" 3 KG/C "		13	* CE04010339	ABLASSSTOPFEN UND DICHTUNG	
7	CE04040108	ENTLÜFTUNG		14	* CE04040113	ABLASSSTOPFEN UND DICHTUNG	
8	* CE04010080	SAMMELROHRSET D. 400 TOP		15	* CE05040405	SET FILTERRING	

CODE **BWT400, BWT500, BWT600, BWT750, BWT900**

BESCHREIBUNG: **FILTER HAWAII TOP D. 400-900**

8	* CE04010081	SAMMELROHRSET D. 500 TOP	16	* CE04020116	O-RING 255 X 4
8	* CE04010082	SAMMELROHRSET D. 600 TOP			

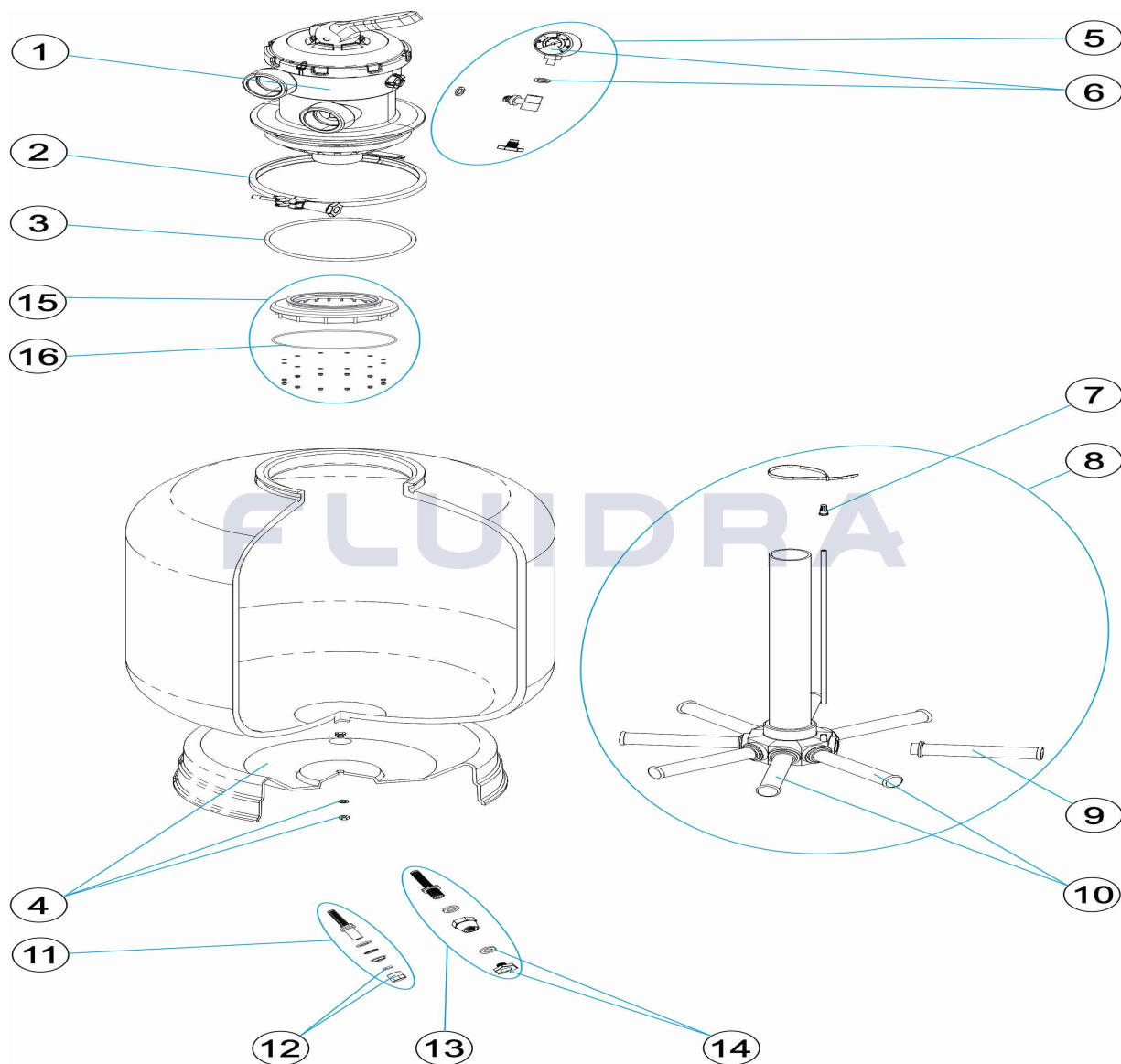
CODE **BWT400, BWT500, BWT600, BWT750, BWT900**

BESCHREIBUNG: **FILTER HAWAII TOP D. 400-900**

HINWEISE

POS	CODE	HINWEISE
1	*MPV15/M2TWC	FÜR: BWT400, BWT500, BWT600
1	*MPV20/M2TWC	FÜR: BWT750, BWT900
4	*CE04020115	FÜR: BWT400
4	*CE04010256	FÜR: BWT500
4	*CE04010023	FÜR: BWT600
4	*CE04300924	FÜR: BWT750
4	*CE04010240	FÜR: BWT900
8	*CE04010080	FÜR: BWT400
8	*CE04010081	FÜR: BWT500
8	*CE04010082	FÜR: BWT600
8	*CE04010336	FÜR: BWT750
8	*CE04010337	FÜR: BWT900
9	*CE04300917	FÜR: BWT400 [4UT], BWT750 [4UT]
9	*CE04300915	FÜR: BWT500 [4UT], BWT900 [4UT]
9	*CE04300916	FÜR: BWT600 [4UT]
10	*CE04010025	FÜR: BWT400, BWT750
10	*CE04010026	FÜR: BWT500, BWT900
10	*CE04010027	FÜR: BWT600
11	*CE04070105	FÜR: BWT400, BWT500, BWT600
12	*CE04010108	FÜR: BWT750, BWT900
13	*CE04010339	FÜR: BWT400, BWT500, BWT600
14	*CE04040113	FÜR: BWT750, BWT900
15	*CE05040405	FÜR: BWT750, BWT900
16	*CE04020116	FÜR: BWT750, BWT900

CODIGO **BWT400, BWT500, BWT600, BWT750, BWT900**

 DESCRIÇÃO: **FILTRO HAWAII TOP D. 400-900**


PORTUGUES

POS	CODIGO	DESCRIÇÃO	JANTIDADE	POS	CODIGO	DESCRIÇÃO	JANTIDADE
1	* MPV15/M2TWC	VALVULA SELETORA TOP		8	* CE04010336	CJTO. COLECTOR D. 750 TOP	
1	* MPV20/M2TWC	VALVULA SELETORA TOP		8	* CE04010337	CJTO. COLECTOR D. 900 TOP	
2	CE04080103	FECHO COMPLETO		9	* CE04300917	BRAÇO COLECTOR 1" 110 M "	
3	CE04080101	JUNTA TÓRICA TAMPA		9	* CE04300915	BRAÇO COLECTOR 1" 175 M "	
4	* CE04020115	PÉ FILTRO D. 400 - D. 500		9	* CE04300916	BRAÇO COLECTOR 1" 225 M "	
4	* CE04010256	PÉ FILTRO D. 500		10	* CE04010025	CJTO. BRAÇO COLECTOR D. 400	
4	* CE04010023	PÉ FILTRO D 650		10	* CE04010026	CJTO. BRAÇO COLECTOR	
4	* CE04300924	PÉ FILTRO D 750		10	* CE04010027	CJTO. BRAÇO COLECTOR D.650	
4	* CE04010240	PÉ FILTRO D. 900		11	* CE04070105	DRENO 3/8"	
5	CE04180404	MANÓMETRO COMPLETO		12	* CE04010108	PURGA AGUA 3/8"	
6	CE04180405	MANOMETRO 1/8" 3 KG./C "		13	* CE04010339	TAMPÃO PURGA E JUNTA	
7	CE04040108	PURGA AREIA		14	* CE04040113	TAMPÃO PURGA E JUNTA	
8	* CE04010080	CJTO. COLECTOR D. 400 TOP		15	* CE05040405	CONJUNTO ARO PROLONGADOR	

CODIGO **BWT400, BWT500, BWT600, BWT750, BWT900**DESCRICAÇÃO: **FILTRO HAWAII TOP D. 400-900**

8	* CE04010081	CJTO. COLECTOR D. 500 TOP	16	* CE04020116	JUNTA TÓRICA 255X4
8	* CE04010082	CJTO. COLECTOR D. 600 TOP			

CODIGO **BWT400, BWT500, BWT600, BWT750, BWT900**DESCRIÇÃO: **FILTRO HAWAII TOP D. 400-900****OBSERVAÇÕES**

POS	CODIGO	OBSERVAÇÕES
1	* MPV15/M2TWC	PARA: BWT400, BWT500, BWT600
1	* MPV20/M2TWC	PARA: BWT750, BWT900
4	* CE04020115	PARA: BWT400
4	* CE04010256	PARA: BWT500
4	* CE04010023	PARA: BWT600
4	* CE04300924	PARA: BWT750
4	* CE04010240	PARA: BWT900
8	* CE04010080	PARA: BWT400
8	* CE04010081	PARA: BWT500
8	* CE04010082	PARA: BWT600
8	* CE04010336	PARA: BWT750
8	* CE04010337	PARA: BWT900
9	* CE04300917	PARA: BWT400 [4UT], BWT750 [4UT]
9	* CE04300915	PARA: BWT500 [4UT], BWT900 [4UT]
9	* CE04300916	PARA: BWT600 [4UT]
10	* CE04010025	PARA: BWT400, BWT750
10	* CE04010026	PARA: BWT500, BWT900
10	* CE04010027	PARA: BWT600
11	* CE04070105	PARA: BWT400, BWT500, BWT600
12	* CE04010108	PARA: BWT750, BWT900
13	* CE04010339	PARA: BWT400, BWT500, BWT600
14	* CE04040113	PARA: BWT750, BWT900
15	* CE05040405	PARA: BWT750, BWT900
16	* CE04020116	PARA: BWT750, BWT900