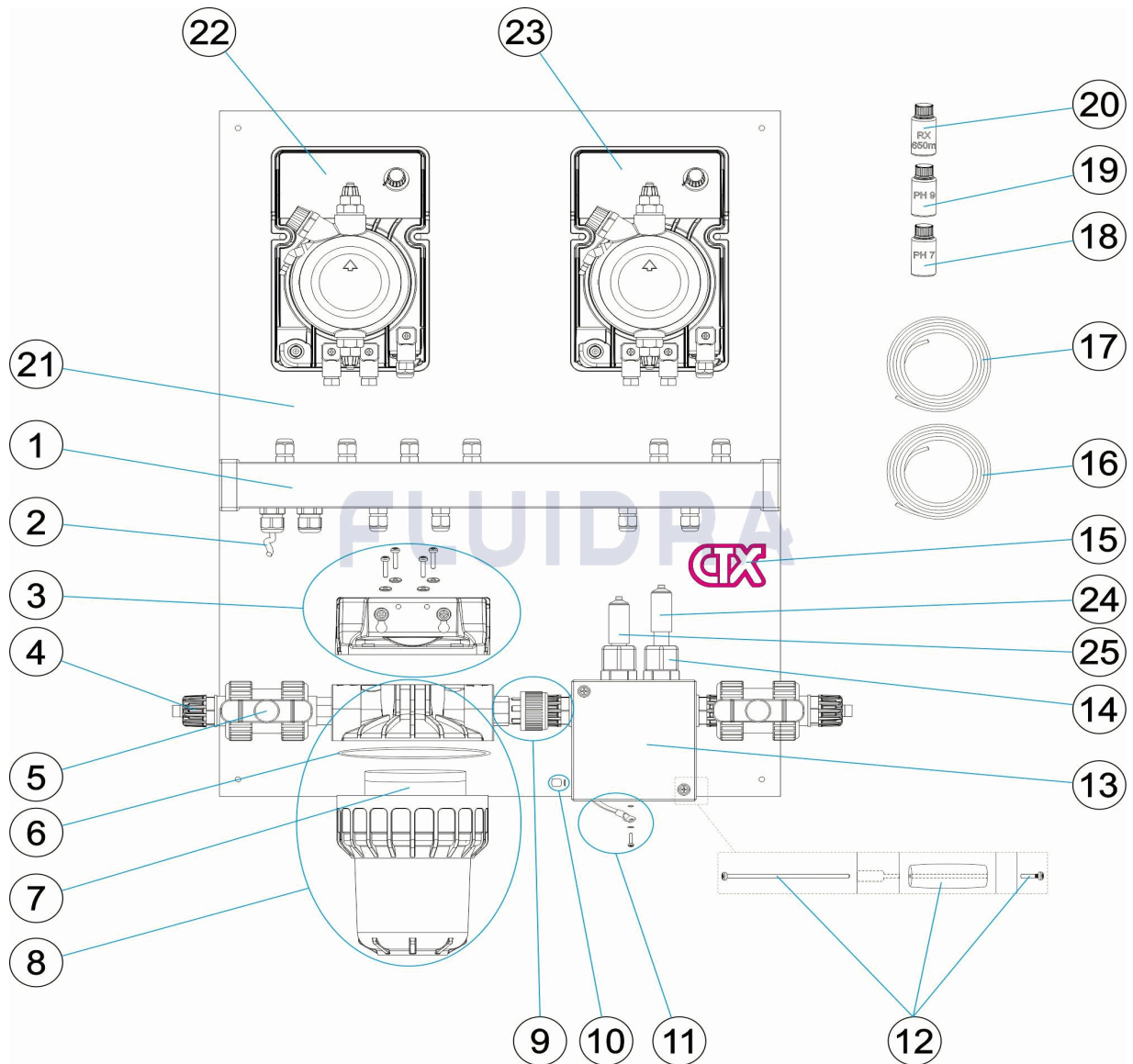


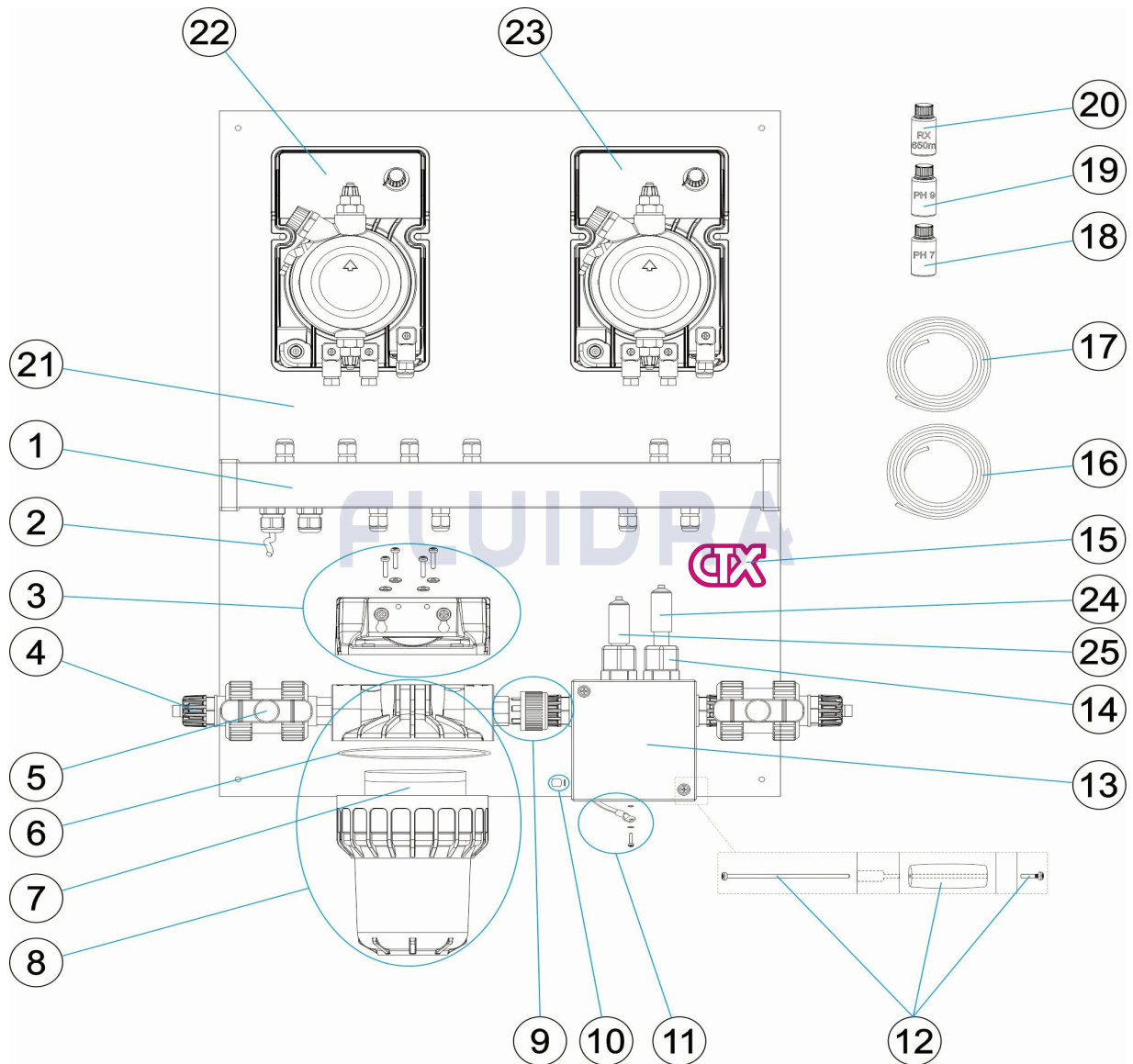
CODIGO **66522**

 DESCRIPCION: **PANEL COMPLETO CLASS PH-RX**

ESPAÑOL

POS	CODIGO	DESCRIPCION	CANTIDAD	POS	CODIGO	DESCRIPCION	CANTIDAD
1	CE08030078	CJTO. PORTACABLES BLANCO		14	CE08030082	PORTASONDAS	
2	CE08030079	CABLE ANTILLAMA 3X1 L=2,5M		15	CE08030081	ETIQUETA CTX	
3	CE08040179	SOPORTE FILTRO		16	CE08040255	TUBO ASPIRACION 4X6 PVC L=25M	
4	CE08030040	CUERPO RACORD		17	CE08040256	TUBO IMPULSION 4X6 PE L=25M	
5	CE08040181	VÁLVULA		18	70948	SOLUCION TAMPON PH 7	
6	CE08040183	JUNTA FILTRO		19	70949	SOLUCION TAMPON PH 9	
7	CE08040197	CARTUCHO FILTRO		20	CE08040257	SOLUCION TAMPON RX (650MV) 55ML	
8	CE08040182	FILTRO		21	66522R0002	PANEL PVC BLANCO (600X450X10MM)	
9	CE08040252	ENLACE H-H 3/8"		22	65980	BOMBA DOSIFICADORA CLASS COMBI PH/I	
10	CE08040186	TAPON CON JUNTA		23	65981	BOMBA DOSIFICADORA CLASS COMBI PH/I	
11	CE08040253	CABLE AWG20		24	46698	ELECTRODO PH (CABLE L=500MM)	
12	CE08040254	SOPORTE PARED		25	46699	ELECTRODO RX (CABLE L=500MM)	
13	CE08040337	CAMARA DE ANALISIS					

CODE **66522**

DESCRIPTION: **PANNEAU COMPLET CLASS PH-RX**

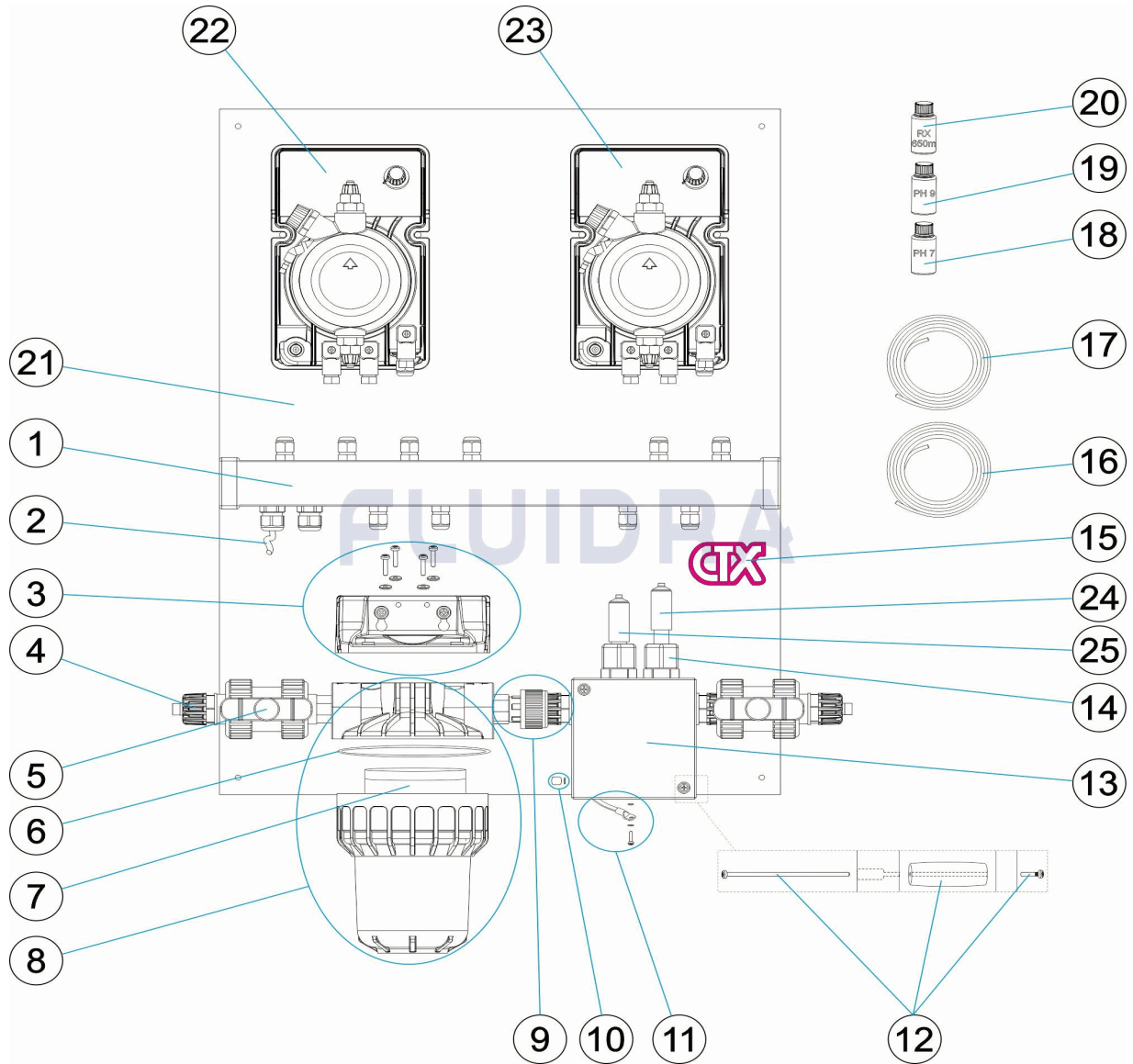


FRANCAIS

POS	CODE	DESCRIPTION	QUANTITE	POS	CODE	DESCRIPTION	QUANTITE
1	CE08030078	RÉGLETTE PASSE-CÂBLES BLANCHE		14	CE08030082	PORTE-SONDES	
2	CE08030079	CÂBLE ANTI-FEU 3X1 L=2,5M		15	CE08030081	ÉTIQUETTE CTX	
3	CE08040179	SUPPORT FILTRE		16	CE08040255	TUBE ASPIRATION 4X6 PVC L=25M	
4	CE08030040	CORPS RACCORD		17	CE08040256	TUBE IMPULSION 4X6 PE L=25M	
5	CE08040181	VALVE		18	70948	TAMPON PH 7	
6	CE08040183	JOINT FILTRE		19	70949	TAMPON PH 9	
7	CE08040197	CARTOUCHE DE FILTRE		20	CE08040257	TAMPON RX (650MV) 55ML	
8	CE08040182	FILTRE		21	66522R0002	PANNEAU BLANC PVC	
9	CE08040252	UNION H-H 3/8"		22	65980	POMPE DOSEUSE CLASS COMBI PH/REDC	
10	CE08040186	BOUCHON AVEC JOINT		23	65981	POMPE DOSEUSE CLASS COMBI PH/REDC	
11	CE08040253	CÂBLE AWG20		24	46698	ÉLECTRODE PH (CÂBLE L=500MM)	
12	CE08040254	SUPPORT MURAL		25	46699	ÉLECTRODE RX (CÂBLE L=500MM)	
13	CE08040337	CHAMBRE D'ANALYSES					

CODE **66522**

DESCRIPTION: **CLASS PH-RX COMPLETE PANEL**

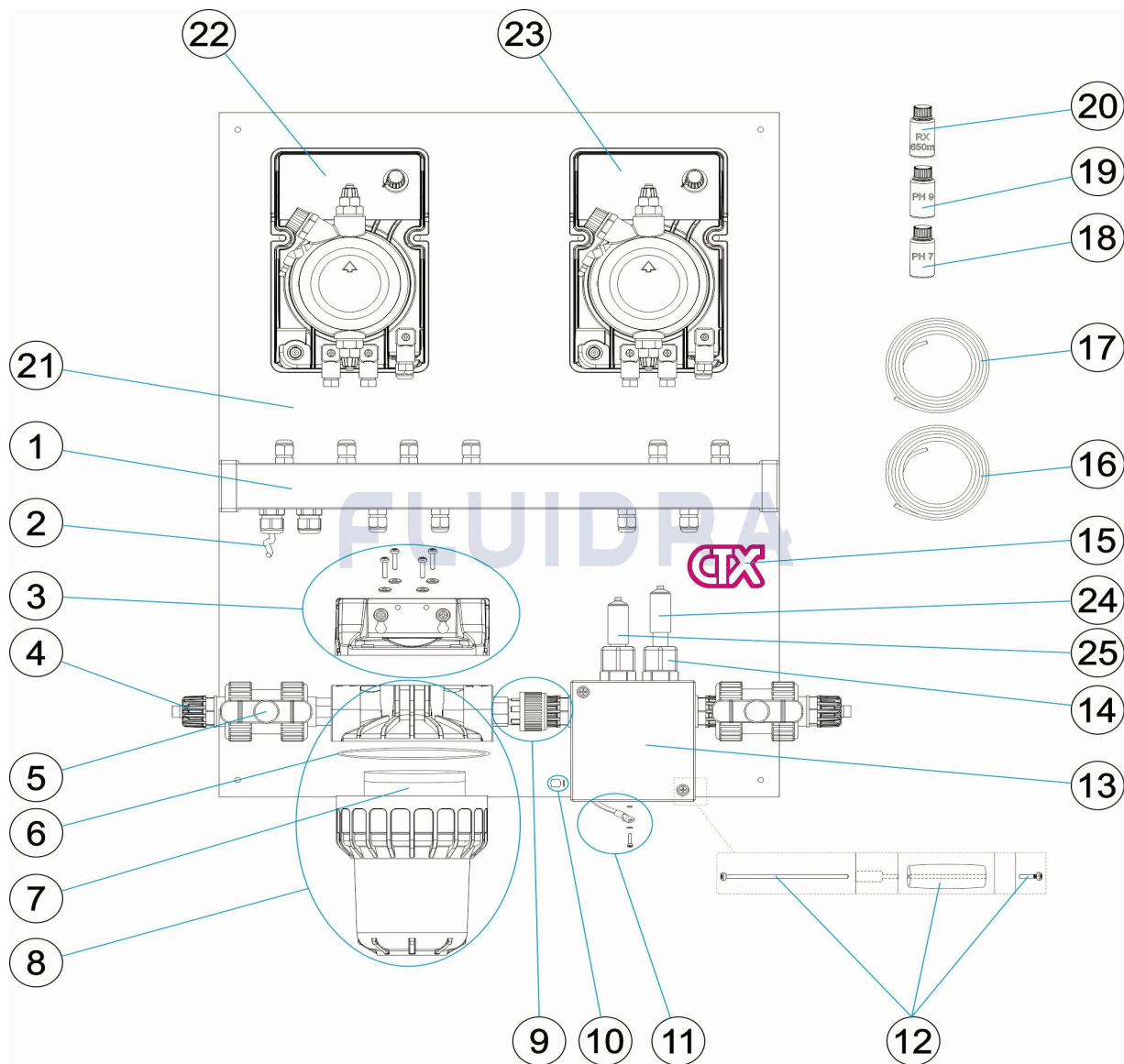


ENGLISH

POS	CODE	DESCRIPTION	QUANTITY	POS	CODE	DESCRIPTION	QUANTITY
1	CE08030078	WHITE CABLE HOLDER		14	CE08030082	SENSOR HOLDER	
2	CE08030079	ANTIFLAME CABLE 3X1 L=2.5M		15	CE08030081	CTX STICKER	
3	CE08040179	FILTER BRACKET		16	CE08040255	SUCTION TUBE 4X6 PVC L=25M	
4	CE08030040	HEAD CONNECTOR BODY		17	CE08040256	RETURN TUBE 4X6 PE L=25M	
5	CE08040181	VALVE		18	70948	CALIBRATION SOLUTION PH 7	
6	CE08040183	FILTER GASKET		19	70949	CALIBRATION SOLUTION PH 9	
7	CE08040197	CARTRIDGE FILTER		20	CE08040257	CALIBRATION SOLUTION RX (650MV) 55ML	
8	CE08040182	FILTER		21	66522R0002	WHITE PVC PANEL	
9	CE08040252	H-H 3/8" UNION		22	65980	COMBI PH/REDOX CLASS DOSING PUMP	
10	CE08040186	PLUG AND O-RING		23	65981	COMBI PH/REDOX CLASS DOSING PUMP	
11	CE08040253	AWG20 CABLE		24	46698	PH ELECTRODE (CABLE L=500MM)	
12	CE08040254	WALL BRACKET		25	46699	RX ELECTRODE (CABLE L=500MM)	
13	CE08040337	ANALYSIS CHAMBER					

CODICE 66522

DESCRIZIONE: PANNELLO COMPLETO CLASS PH-RX

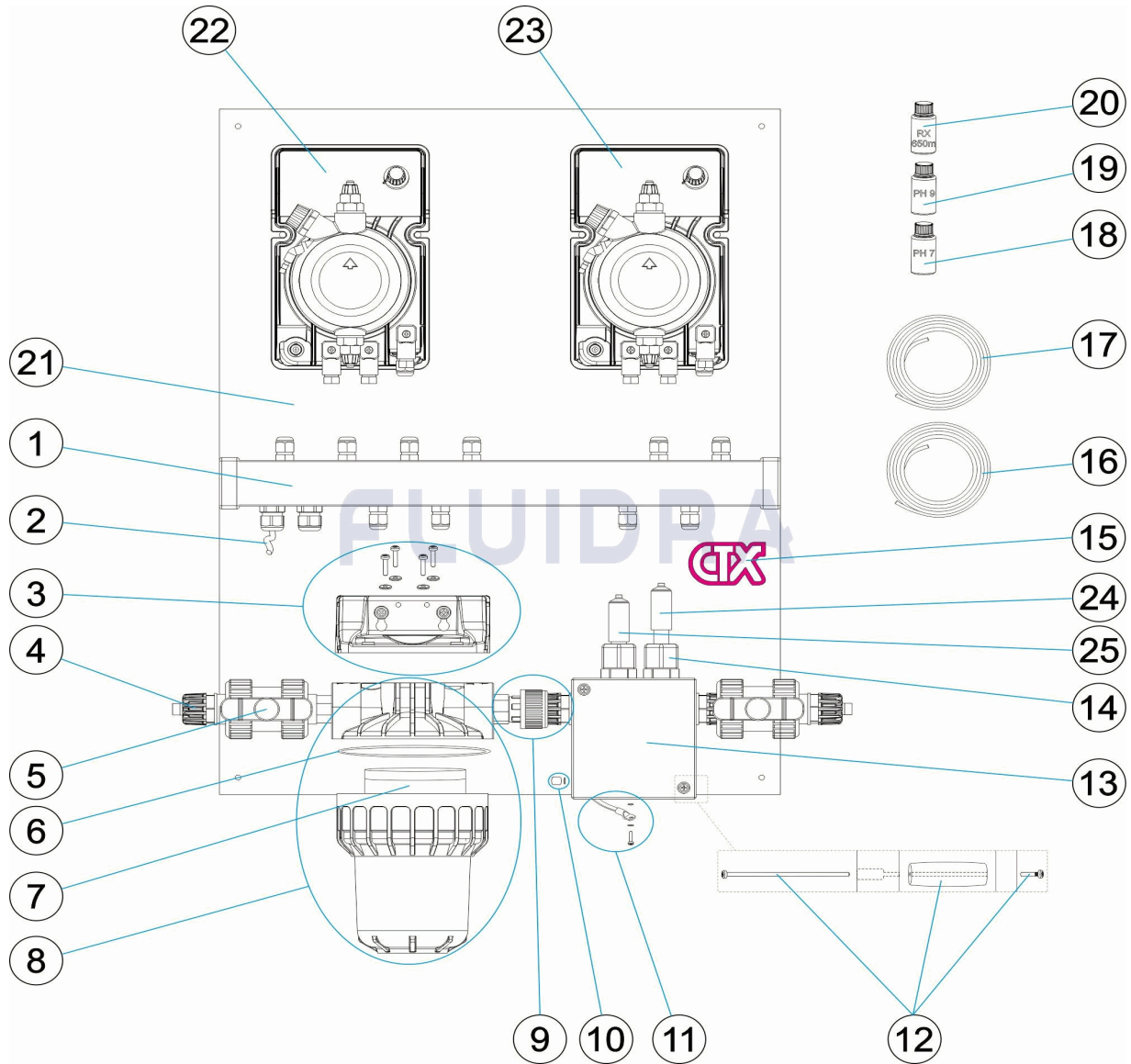


ITALIANO

POS	CODICE	DESCRIZIONE	QUANTITA'	POS	CODICE	DESCRIZIONE	QUANTITA'
1	CE08030078	SET PORTACAVI BIANCO		14	CE08030082	PORTA-SONDE	
2	CE08030079	CAVO ANTIFIAMMA 3X1 L=2,5M		15	CE08030081	ETICHETTA CTX	
3	CE08040179	SUPPORTO FILTRO		16	CE08040255	TUBO DI ASPIRAZIONE 4X6 PVC L=25M	
4	CE08030040	CORPO RACCORDO		17	CE08040256	TUBO DI MANDATA 4X6 PE L=25M	
5	CE08040181	VALVOLA		18	70948	SOLUZIONE TAMPONE PH 7	
6	CE08040183	GUARNIZIONE FILTRO		19	70949	SOLUZIONE TAMPONE PH 9	
7	CE08040197	CARTUCCIA RICAMBIO PER FILTRO		20	CE08040257	SOLUZIONE TAMPONE RX (650MV) 55ML	
8	CE08040182	FILTRO		21	66522R0002	PANNELLO PVC BIANCO (600X450X10MM)	
9	CE08040252	UNIONE H-H 3/8"		22	65980	POMPA DOSIFICATRICE CLASS COMBI PH/I	
10	CE08040186	TAPPO CON GUARNIZIONE		23	65981	POMPA DOSIFICATRICE CLASS COMBI PH/I	
11	CE08040253	CAVO AWG20		24	46698	ELETTRODO PH (CAVO L=500MM)	
12	CE08040254	SUPPORTO PARETE		25	46699	ELETTRODO RX (CAVO L=500MM)	
13	CE08040337	CAMERA DI ANALISI					

CODE 66522

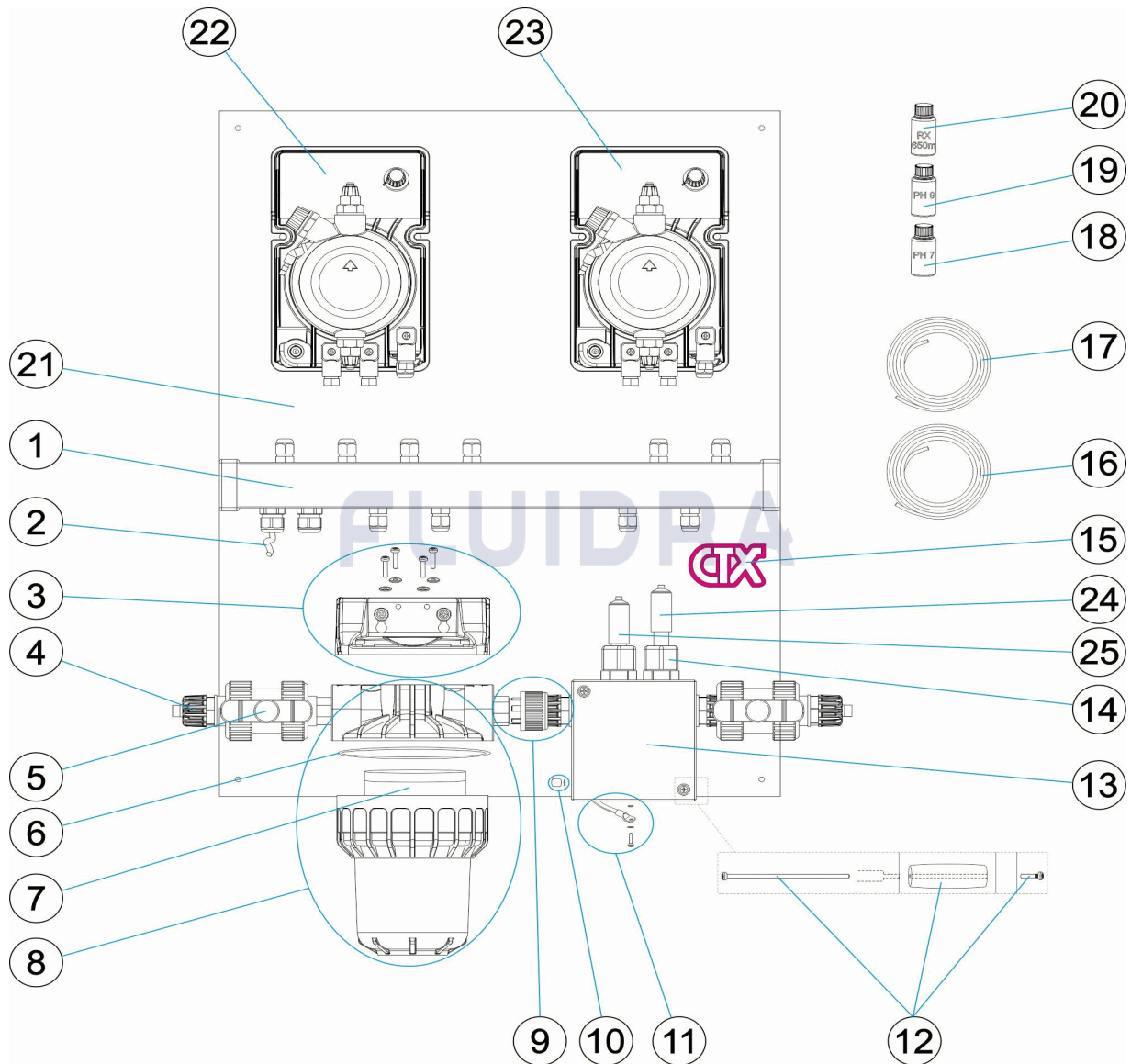
BESCHREIBUNG: SEITENTEIL KOMPLETT CLASS PH-RX



DEUTSCH

POS	CODE	BESCHREIBUNG	MENGE	POS	CODE	BESCHREIBUNG	MENGE
1	CE08030078	SET KABELDURCHFÜHRUNG WEISS		14	CE08030082	SONDENHALTERUNG	
2	CE08030079	FLAMMSCHUTZKABEL 3X1 L=2,5 M		15	CE08030081	ETIKETTE CTX	
3	CE08040179	FILTERHALTERUNG		16	CE08040255	ROHR SAUG 4X6 PVC L=25M	
4	CE08030040	VENTILSATZ		17	CE08040256	ROHR DRUCK 4X6 PE L=25M	
5	CE08040181	VENTIL		18	70948	PUFFERLÖSUNG PH 7	
6	CE08040183	DICHTUNG FILTER		19	70949	PUFFERLÖSUNG PH 9	
7	CE08040197	FILTERKARTUSCHE		20	CE08040257	PUFFERLÖSUNG RX (650MV) 55ML	
8	CE08040182	FILTER		21	66522R0002	WEISSES PVC SEITENTEIL	
9	CE08040252	ANSCHLUSS H-H 3/8"		22	65980	DOSIERPUMPE CLASS COMBI PH/REDOX	
10	CE08040186	STOPFEN UND DICHTUNG		23	65981	DOSIERPUMPE CLASS COMBI PH/REDOX	
11	CE08040253	KABEL AWG20		24	46698	PH-ELEKTRODE (KABEL L=500MM)	
12	CE08040254	WANDHALTERUNG		25	46699	RX-ELEKTRODE (KABEL L=500MM)	
13	CE08040337	ANALYSEKAMMER					

CODIGO **66522**

 DESCRIÇÃO: **PAINEL COMPLETO CLASS PH-RX**


PORTUGUES

POS	CODIGO	DESCRIÇÃO	JANTIDADE	POS	CODIGO	DESCRIÇÃO	JANTIDADE
1	CE08030078	CJTO. CALHA PARA CABOS BRANCA		14	CE08030082	PORTA-SONDAS	
2	CE08030079	CABO ANTICHAMA 3X1 L = 2,5 M		15	CE08030081	ETIQUETA CTX	
3	CE08040179	SUPORTE FILTRO		16	CE08040255	TUBO ASPIRAÇÃO 4X6 PVC L=25M	
4	CE08030040	CORPO RACORD		17	CE08040256	TUBO IMPULSÃO 4X6 PE L=25M	
5	CE08040181	VÁLVULA		18	70948	SOLUÇÃO TAMPÃO PH 7	
6	CE08040183	JUNTA FILTRO		19	70949	SOLUÇÃO TAMPÃO PH 9	
7	CE08040197	CARTUCHO FILTRO		20	CE08040257	SOLUÇÃO TAMPÃO RX (650MV) 55ML	
8	CE08040182	FILTRO		21	66522R0002	PAINEL PVC BRANCO	
9	CE08040252	UNIÃO H-H 3/8"		22	65980	BOMBA DOSEADORA CLASS COMBI PH/RE	
10	CE08040186	TAMPA COM JUNTA		23	65981	BOMBA DOSEADORA CLASS COMBI PH/RE	
11	CE08040253	CABO AWG20		24	46698	ELÉTRODO PH (CABO L=500MM)	
12	CE08040254	SUPORTE PAREDE		25	46699	ELÉTRODO RX (CABO L=500MM)	
13	CE08040337	CÂMARA DE ANÁLISES					