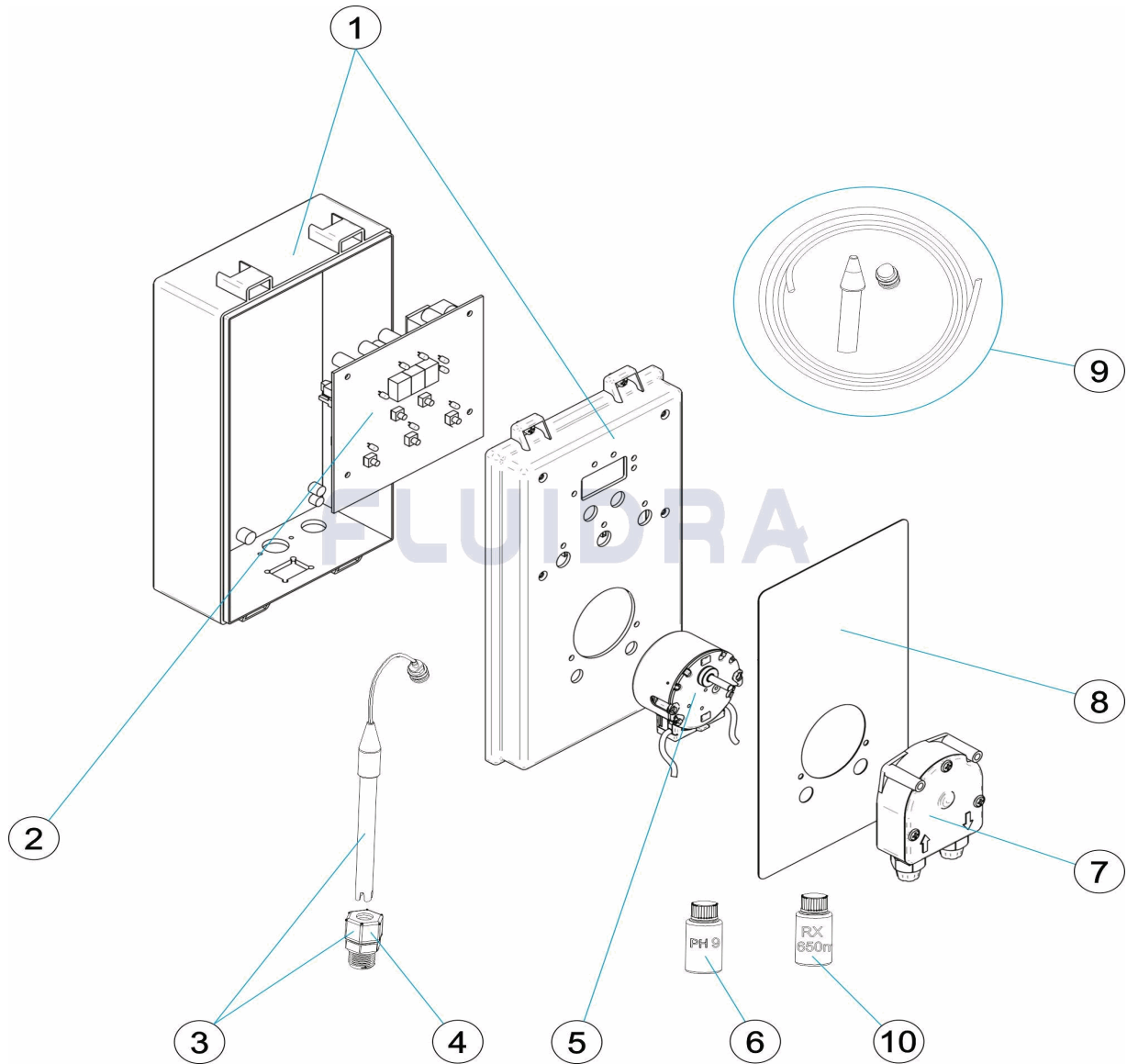


CODIGO **52655, 52656**

DESCRIPCION: **BOMBA DOSIFICADORA MYPOOL PH/RX**



ESPAÑOL

POS	CODIGO	DESCRIPCION	CANTIDAD	POS	CODIGO	DESCRIPCION	CANTIDAD
1	CE08030068	CAJA BOMBA PERISTALTICA		6	* 70949	SOLUCION TAMPON PH 9	
2	* CE08030069	PLACA ELECTRONICA MYPOOL PH		7	CE08030074	CABEZAL BOMBA PERISTALTICA	
2	* CE08030070	PLACA ELECTRONICA MYPOOL RX		8	* CE08030075	CARATULA BOMBA PERISTALTICA	
3	* CE08030071	ELECTRODO DE PH CON CABLE		8	* CE08030076	CARATULA BOMBA PERISTALTICA	
3	* CE08030072	ELECTRODO DE RX CON CABLE		9	CE08030077	KIT DE INSTALACIÓN MYPOOL	
4	CE08030082	PORTASONDAS		10	* 56238	TAMPON RX 650MV 90ML	
5	CE08030002	MOTOR PERISTALTICA					

CODIGO 52655, 52656

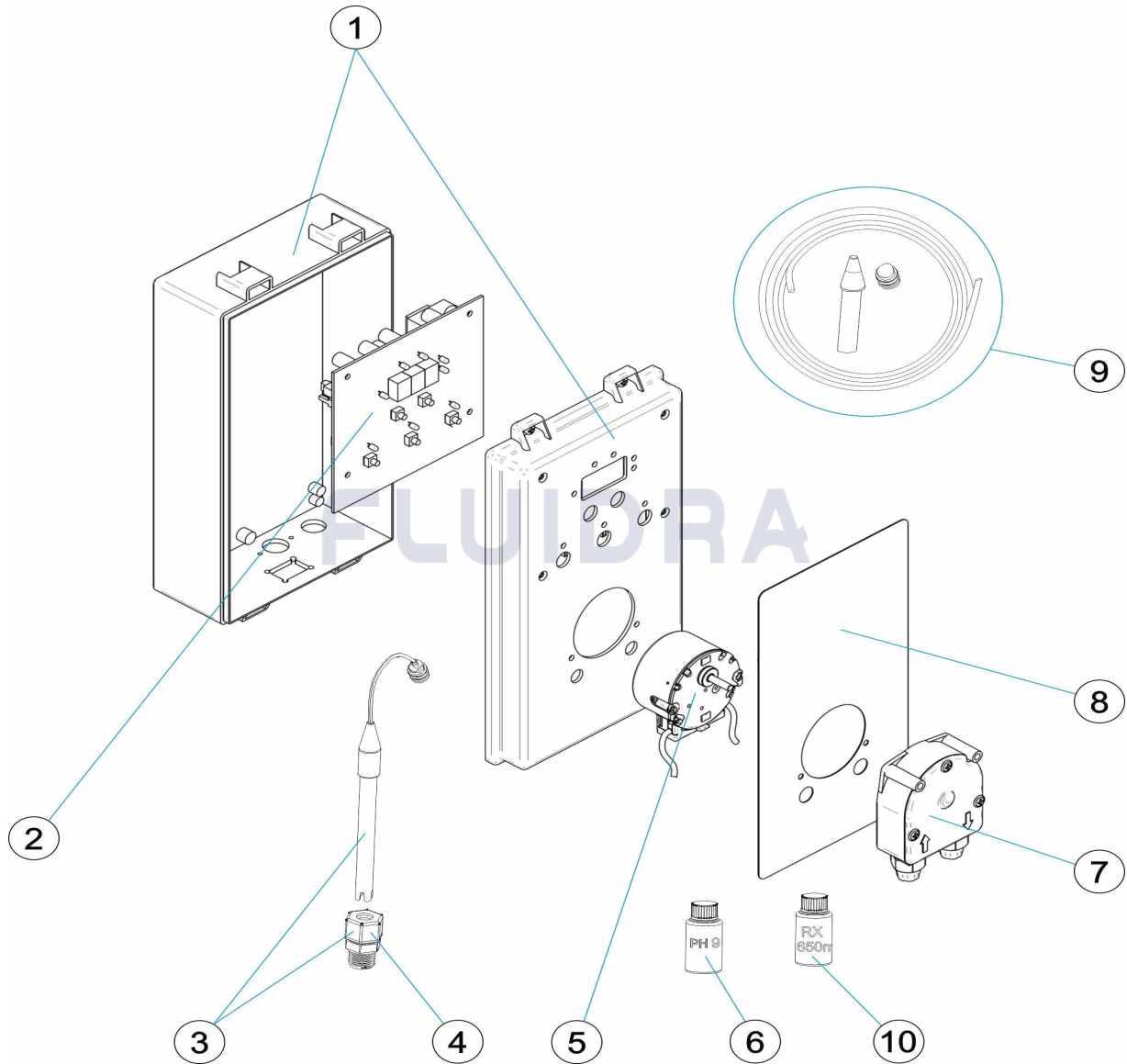
DESCRIPCION: BOMBA DOSIFICADORA MYPPOOL PH/RX

OBSERVACIONES

POS	CODIGO	OBSERVACIONES
2	*CE08030069	PARA: 52655
2	*CE08030070	PARA: 52656
3	*CE08030071	PARA: 52655
3	*CE08030072	PARA: 52656
6	*70949	PARA: 52655
8	*CE08030075	PARA: 52655
8	*CE08030076	PARA: 52656
10	*56238	PARA: 52656

CODE 52655, 52656

DESCRIPTION: POMPE DOSEUSE MYPOOL PH/RX



FRANCAIS

POS	CODE	DESCRIPTION	QUANTITE	POS	CODE	DESCRIPTION	QUANTITE
1	CE08030068	BOITIER DE POMPE		6	* 70949	TAMPON PH 9	
2	* CE08030069	CARTE ELECTRONIQUE MYPOOL PH		7	CE08030074	TETE DE POMPE	
2	* CE08030070	CARTE ELECTRONIQUE MYPOOL RX		8	* CE08030075	FACADE DE POMPE	
3	* CE08030071	ELECTRODE DE PH AVEC CABLE		8	* CE08030076	FACADE DE POMPE	
3	* CE08030072	ELECTRODE DE RX AVEC CABLE		9	CE08030077	KIT D'INSTALLATION MYPOOL	
4	CE08030082	PORTE-SONDES		10	* 56238	TAMPON RX 650MV 90ML	
5	CE08030002	MOTEUR PERISTALTIQUE					

CODE **52655, 52656**

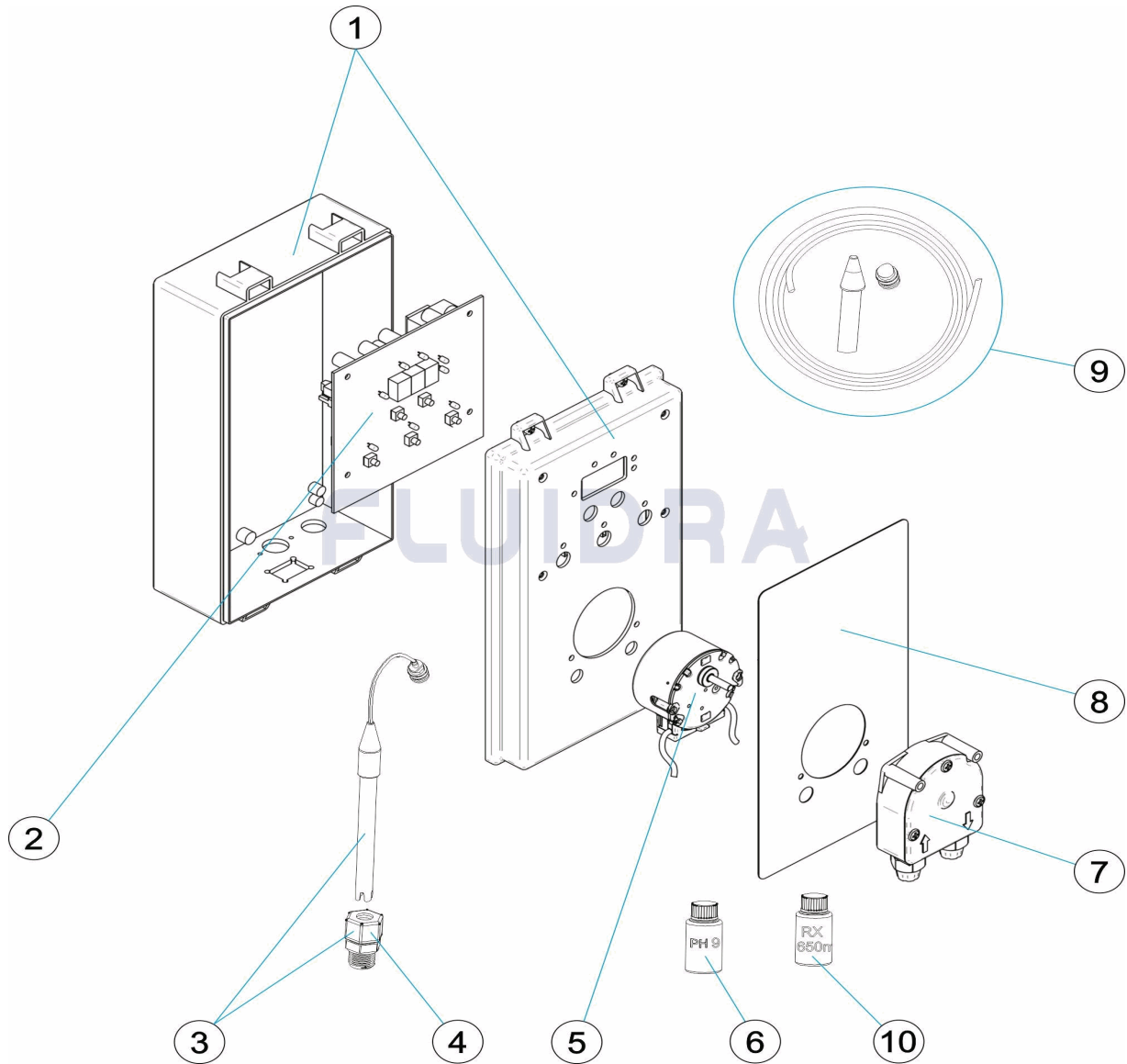
DESCRIPTION: **POMPE DOSEUSE MYPOOL PH/RX**

OBSERVATIONS

POS	CODE	OBSERVATIONS
2	*CE08030069	POUR: 52655
2	*CE08030070	POUR: 52656
3	*CE08030071	POUR: 52655
3	*CE08030072	POUR: 52656
6	*70949	POUR: 52655
8	*CE08030075	POUR: 52655
8	*CE08030076	POUR: 52656
10	*56238	POUR: 52656

CODE **52655, 52656**

DESCRIPTION: **DOSING PUMP MYPOOL PH/RX**



ENGLISH

POS	CODE	DESCRIPTION	QUANTITY	POS	CODE	DESCRIPTION	QUANTITY
1	CE08030068	PUMP BOX		6	* 70949	CALIBRATION SOLUTION PH 9	
2	* CE08030069	MYPOOL PH ELECTRONIC CARD		7	CE08030074	PUMP HEAD	
2	* CE08030070	MYPOOL RX ELECTRONIC CARD		8	* CE08030075	PUMP FACE PANEL	
3	* CE08030071	PH ELECTRODE WITH CABLE		8	* CE08030076	PUMP FACE PANEL	
3	* CE08030072	RX ELECTRODE WITH CABLE		9	CE08030077	INSTALLATION KIT MYPOOL	
4	CE08030082	SENSOR HOLDER		10	* 56238	CALIBRATION SOLUTION RX 650MV 90ML	
5	CE08030002	PERISTALTIC MOTOR					



PARTS BREAKDOWN

REV.: 2
DATE: 31/05/2021
SHEET: 2/2

1139

CODE **52655, 52656**

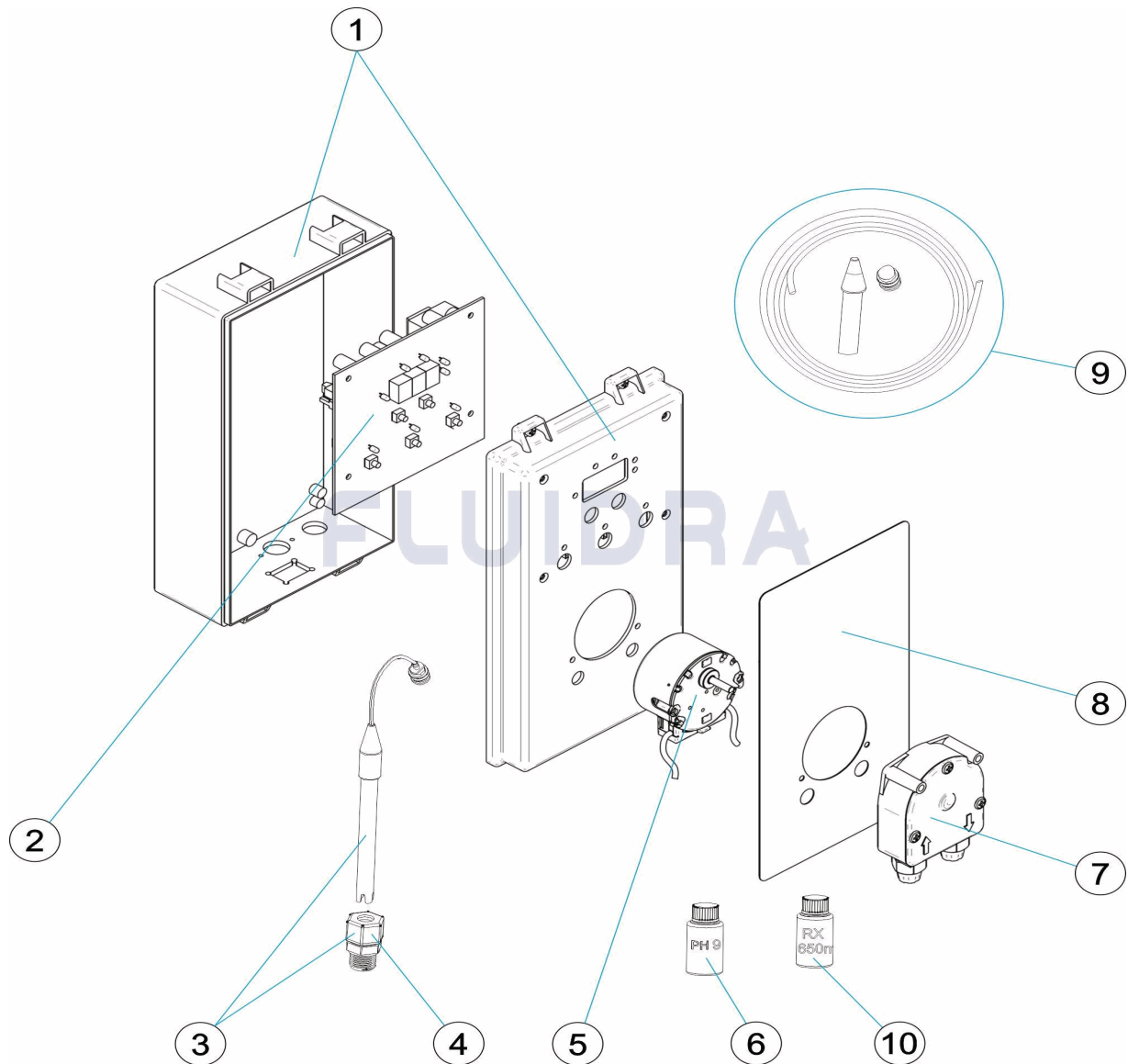
DESCRIPTION: **DOSING PUMP MYPPOOL PH/RX**

OBSERVATIONS

POS	CODE	OBSERVATIONS
2	* CE08030069	FOR: 52655
2	* CE08030070	FOR: 52656
3	* CE08030071	FOR: 52655
3	* CE08030072	FOR: 52656
6	* 70949	FOR: 52655
8	* CE08030075	FOR: 52655
8	* CE08030076	FOR: 52656
10	* 56238	FOR: 52656

CODICE **52655, 52656**

DESCRIZIONE: **POMPA DOSIFICATRICE MYPPOOL PH/RX**



ITALIANO

POS	CODICE	DESCRIZIONE	QUANTITA'	POS	CODICE	DESCRIZIONE	QUANTITA'
1	CE08030068	CARCASSA POMPA		6	* 70949	SOLUZIONE TAMPONE PH 9	
2	* CE08030069	SCHEDA ELETTRONICA MYPPOOL PH		7	CE08030074	TESTA COMPLETA POMPA	
2	* CE08030070	SCHEDA ELETTRONICA MYPPOOL RX		8	* CE08030075	MASCHERA POMPA	
3	* CE08030071	ELETTRODO DI PH CON CAVO		8	* CE08030076	MASCHERA POMPA	
3	* CE08030072	ELETTRODO DI RX CON CAVO		9	CE08030077	KIT DI INSTALLAZIONE MYPPOOL	
4	CE08030082	PORTA-SONDE		10	* 56238	SOLUZIONE TAMPONE RX 650MV 90ML	
5	CE08030002	MOTORE PERISTALTICA					

CODICE **52655, 52656**

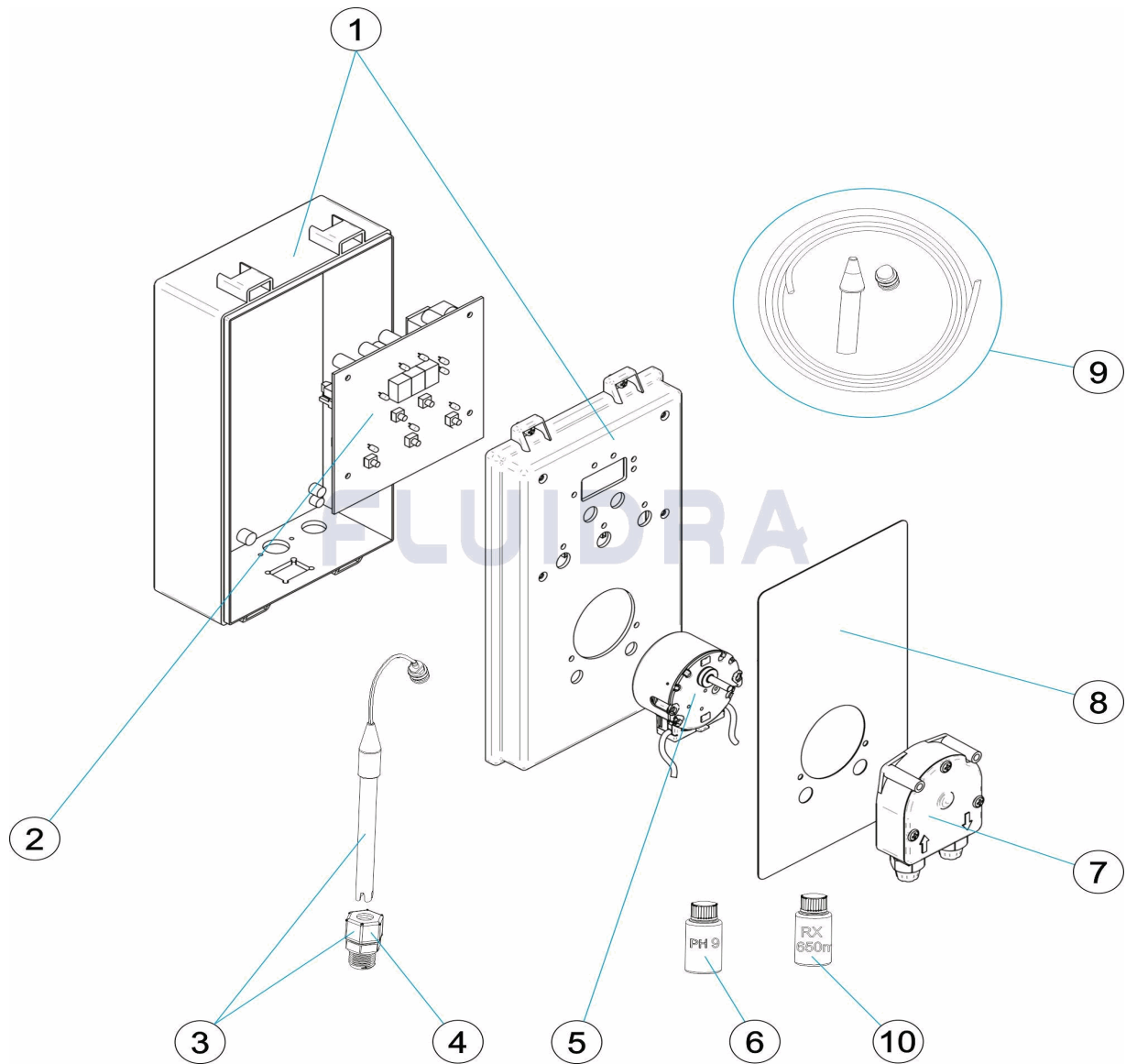
DESCRIZIONE: **POMPA DOSIFICATRICE MYPOOL PH/RX**

OSSERVAZIONI

POS	CODICE	OSSERVAZIONI
2	*CE08030069	PER: 52655
2	*CE08030070	PER: 52656
3	*CE08030071	PER: 52655
3	*CE08030072	PER: 52656
6	*70949	PER: 52655
8	*CE08030075	PER: 52655
8	*CE08030076	PER: 52656
10	*56238	PER: 52656

CODE **52655, 52656**

BESCHREIBUNG: **DOSIERPUMPE MYPOL PH/RX**



DEUTSCH

POS	CODE	BESCHREIBUNG	MENGE	POS	CODE	BESCHREIBUNG	MENGE
1	CE08030068	GEHÄUSE PERISTALTIKPUMPE		6	* 70949	PUFFERLÖSUNG PH 9	
2	* CE08030069	ELEKTRONISCHE PLATINE MYPOL PH		7	CE08030074	KOPFSTÜCK PERISTALTIKPUMPE	
2	* CE08030070	ELEKTRONISCHE PLATINE MYPOL RX		8	* CE08030075	BEDIENFELD PERISTALTIKPUMPE	
3	* CE08030071	ELEKTRODE PH MIT KABEL		8	* CE08030076	BEDIENFELD PERISTALTIKPUMPE	
3	* CE08030072	ELEKTRODE RX MIT KABEL		9	CE08030077	EINBAUKIT MYPOL	
4	CE08030082	SONDENHALTERUNG		10	* 56238	PUFFER RX 650ML 90ML	
5	CE08030002	MOTOR PERISTALTIKPUMPE					

CODE **52655, 52656**

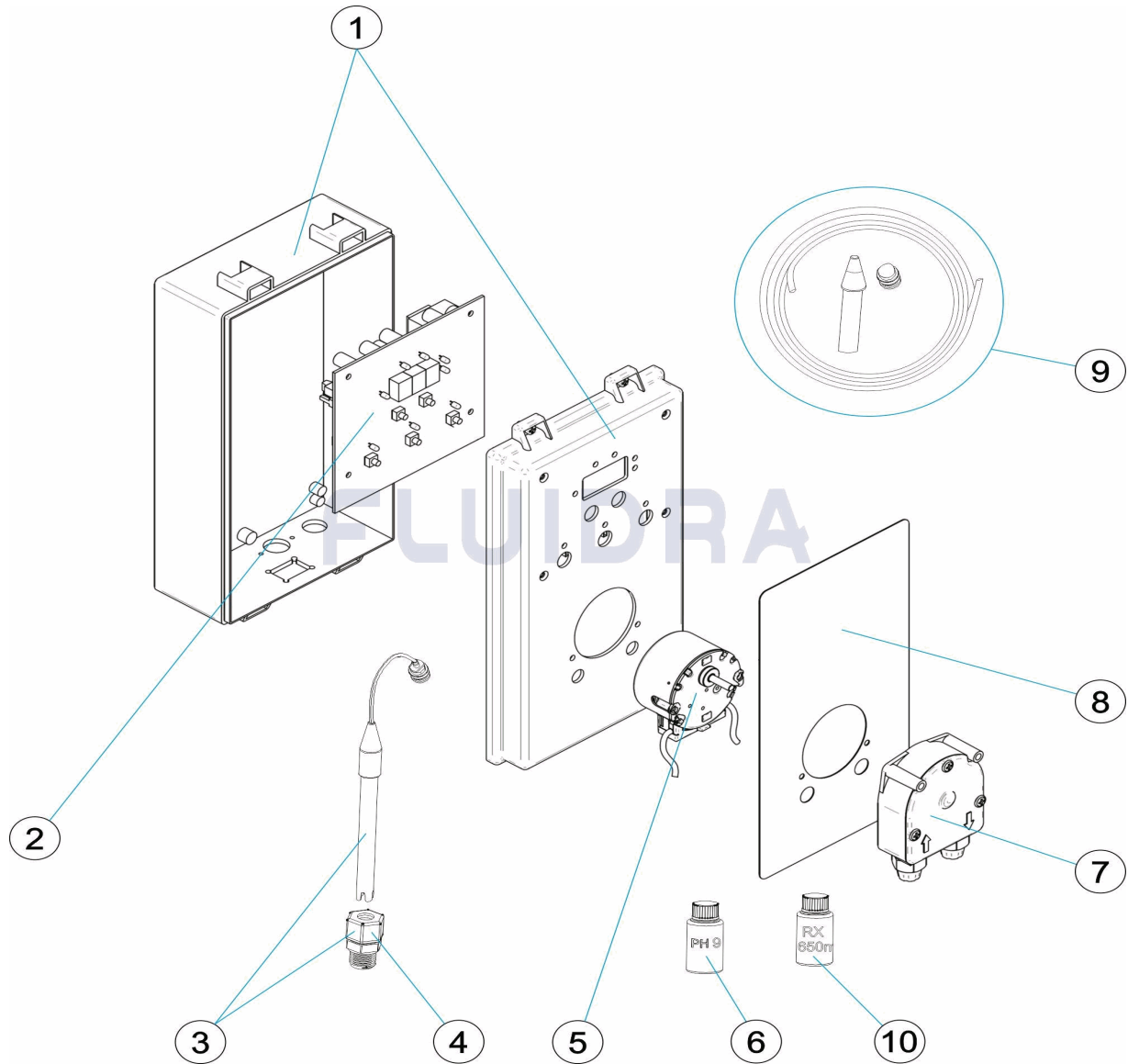
BESCHREIBUNG: DOSIERPUMPE MYPOOL PH/RX

HINWEISE

POS	CODE	HINWEISE
2	*CE08030069	FÜR: 52655
2	*CE08030070	FÜR: 52656
3	*CE08030071	FÜR: 52655
3	*CE08030072	FÜR: 52656
6	*70949	FÜR: 52655
8	*CE08030075	FÜR: 52655
8	*CE08030076	FÜR: 52656
10	*56238	FÜR: 52656

CODIGO **52655, 52656**

DESCRICAÇÃO: **BOMBA DOSEADORA MYPOOL PH/RX**



PORTUGUES

POS	CODIGO	DESCRICAÇÃO	JANTIDADE	POS	CODIGO	DESCRICAÇÃO	JANTIDADE
1	CE08030068	CAIXA BOMBA		6	* 70949	SOLUÇÃO TAMPÃO PH 9	
2	* CE08030069	PLACA ELECTRÓNICA MYPOOL PH		7	CE08030074	CABEÇAL BOMBA	
2	* CE08030070	PLACA ELECTRÓNICA MYPOOL RX		8	* CE08030075	MOSTRADOR BOMBA	
3	* CE08030071	SONDA PH COM CABO		8	* CE08030076	MOSTRADOR BOMBA	
3	* CE08030072	SONDA RX COM CABO		9	CE08030077	KIT DE INSTALAÇÃO MYPOOL	
4	CE08030082	PORTA-SONDAS		10	* 56238	SOLUÇÃO TAMPÃO RX 650MV 90ML	
5	CE08030002	MOTOR PERISTÁLTICA					

CODIGO **52655, 52656**DESCRIÇÃO: **BOMBA DOSEADORA MYPPOOL PH/RX****OBSERVAÇÕES**

POS	CODIGO	OBSERVAÇÕES
2	*CE08030069	PARA: 52655
2	*CE08030070	PARA: 52656
3	*CE08030071	PARA: 52655
3	*CE08030072	PARA: 52656
6	*70949	PARA: 52655
8	*CE08030075	PARA: 52655
8	*CE08030076	PARA: 52656
10	*56238	PARA: 52656